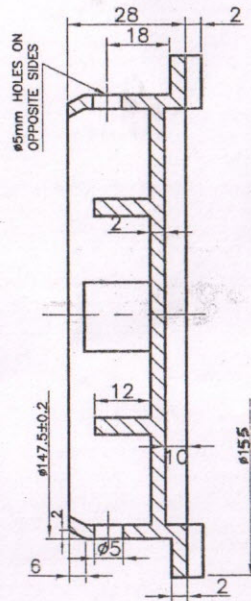
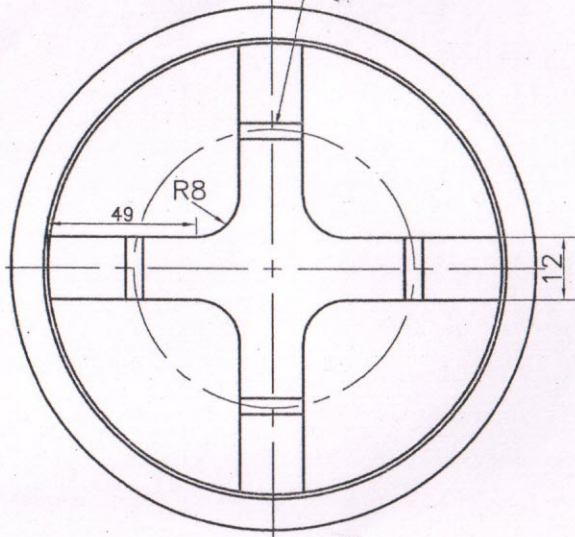


3 987 13 35100 CBT

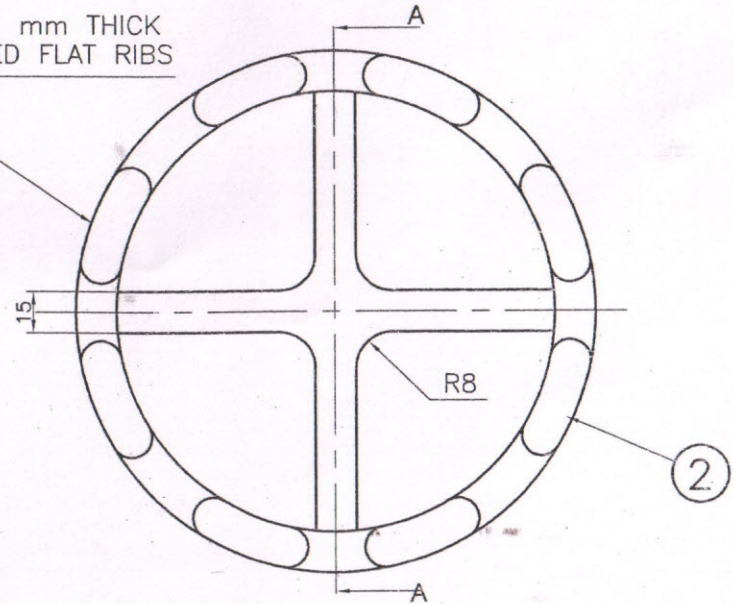
DRG No.

6X12X12.5 SIZE 4 Nos RIBS
EQUISPACED ON 80 PCD



SECTION A-A


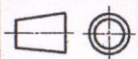
8 No's 2 mm THICK
PROJECTED FLAT RIBS



CONTROLLED COPY

NOTES:

CAP MATERIAL: COMMERCIAL GRADE LDPE/PVC

 BHARAT HEAVY ELECTRICALS LTD; ELECTROPORCELAINS DIVISION BANGALORE 560 012		NAME	SIGN	DATE		
		DRN	USMAN	<i>Usman</i> 3/7/15		
		CHD	S S P	<i>SSP</i> 3/2/15		
APPD	S S P	<i>SSP</i> 3/3/15				
DEPT	GRADE OF TOL DIM	SCALE	WEIGHT (kg)	REF TO ASSY.DRG	ITEM No.	No.OF ITEMS
CODE	C/M/F	 N.T.S	---			
TITLE			CARD CODE	DRAWING No.	REV.	
CAP FOR CARDBOARD TUBE END CAP FOR PACKING OF COMPOSITE LONG ROD INSULATOR				3 987 13 35100 CBP	00	
				No.OF SHEETS		

SUPERSEDES DRG. No. 3 SK 3195

SHT.24 SIZE A3 420 x 297