

Choke Specifications

• General Characteristics

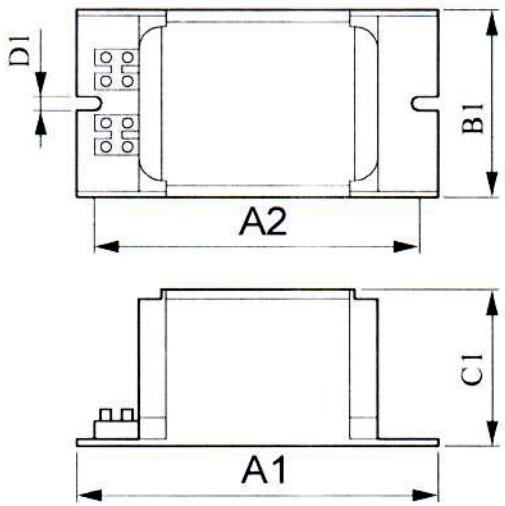
Line Voltage 240v
Line Frequency 50Hz

• Operating Characteristics

Mains voltage safety 240 -10%/+10%
(AC)
Mains voltage 240 +6%/-8%
performance (AC)
Input current with 1.32 A
PF-correct.
Input current w/o PF- 2.15 A
correct.

PowerFactor with PF 0.85 -
compens.
PowerFactor w/o PF 0.52 -
compens.

Dimensional drawing



*Parameter
19/10/14*

Product	A1 (Norm)	A2 (Norm)	B1 (Norm)	B2 (Norm)	C1 (Norm)	D1 (Norm)	BHL
Choke	132.0	116.0	75.0	-	64.0	6.3	