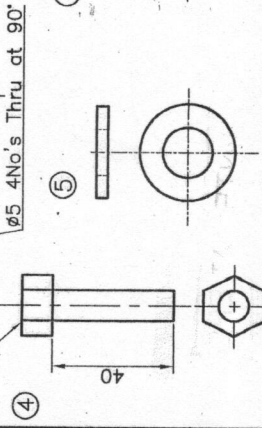
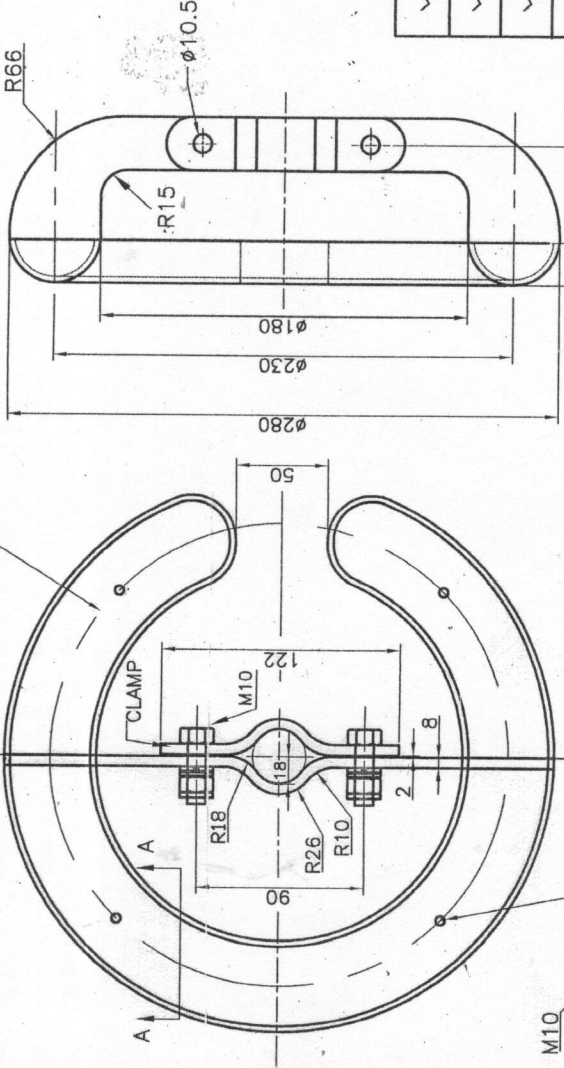
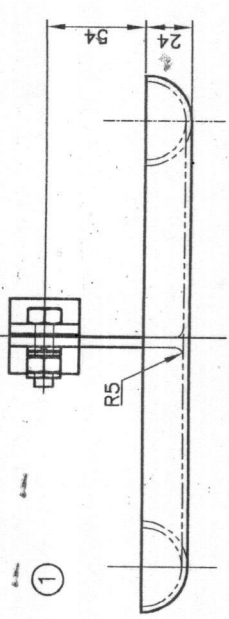


FIRST ANGLE PROJECTION

882C SK 3288

THE INFORMATION ON THIS DOCUMENT IS THE PROPERTY OF BHARAT HEAVY ELECTRICALS LIMITED. IT MUST NOT BE USED DIRECTLY OR INDIRECTLY IN ANY WAY DETRIMENTAL TO THE INTEREST OF THE COMPANY.



M10 BOLT M10 WASHER M10 SPRING WASHER M10 NUT M10 LOCK NUT

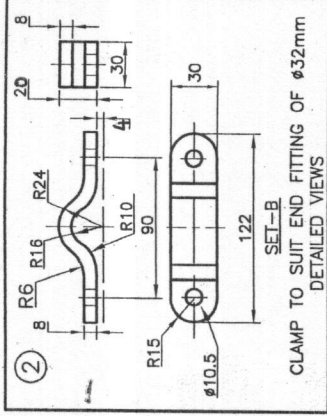
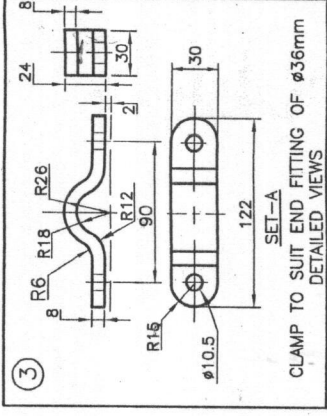
REV	DATE	ALTERED	CHECKED

REV	DATE	ALTERED	CHECKED

REV	DATE	ALTERED	CHECKED

REV.	NO. OF ITEMS	NO. OF SHEETS

ALL DIMENSIONS ARE IN mm.



CONTROLLED COPY

- NOTES :**
- MATERIAL : ALUMINIUM ALLOY CONFIRM TO DESIGNATION GR. 4600, CONDITION M AS PER IS:617-1994
 - CORONA RING CASTING MUST BE SMOOTH FINISH. -ALSO MUST BE FREE FROM SHARP EDGES AND BURRS.
 - UNTOLERANCED DIMENSIONS ARE MAINTAINED WITHIN ±1%.
 - UNSPECIFIED RADI ARE 3mm.
 - CORONA RING TO BE SUPPLY IN SETS.
 - UNTOLERANCE DIMENSIONS ±0.4

ITEM No.	DESCRIPTION	MATERIAL	QTY
8	LOCK NUT	STAINLESS STEEL AISI 304	2
7	HEX. NUT	STAINLESS STEEL AISI 304	2
6	SPRING WASHER	SPRING STEEL(GALVANISED)IS:4072&3063	2
5	WASHER PLAIN	STEEL Fe-410, IS:2062	2
4	BOLT	STAINLESS STEEL AISI 304	2
3	CLAMP	ALUMINIUM CASTING	2
2	CORONA RING	ALUMINIUM CASTING	1

BHARAT HEAVY ELECTRICALS LTD.,
ELECTROPORCELAINS DIVISION
BANGALORE - 560 012

DEPT	GRADE OF TOL DIM	SCALE	WEIGHT (kg)	REF TO CASTING DRG.	DATE
	C/M/F	N.T.S	0.93 (Approx)		14.03.16

CORONA RING (CASTING)