

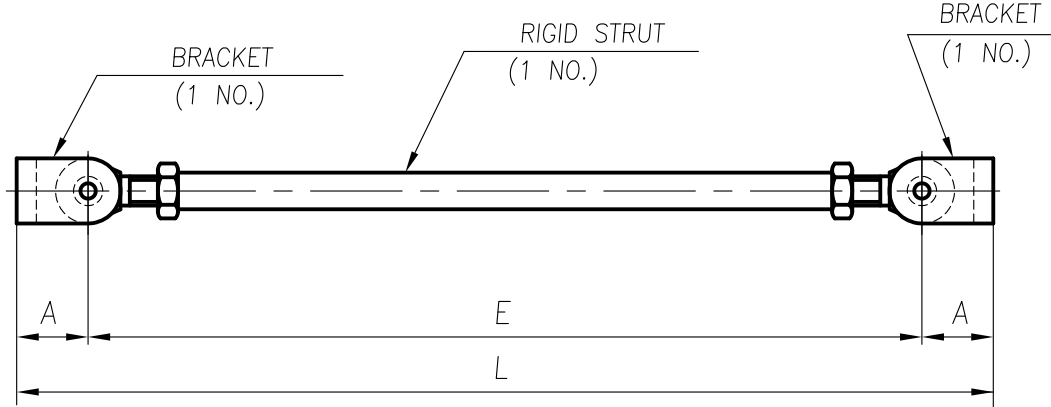
PIPING CENTRE

DATA SHEET FOR RIGID STRUT

PROJECT : BARH STPP STAGE-1 (3x660 MW)

CUSTOMER : NTPC

CUST No. : 7285, 7286 & 7287

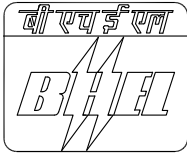


NOTES :-

1. REFER TECHNICAL SPECIFICATION ENCLOSED HEREWITH.
2. SCOPE OF EACH RIGID STRUT ASSEMBLY INCLUDES RIGID STRUT(S) & BRACKET ASSEMBLIES.
3. DIMENSIONS 'A' & 'E' SHALL BE FIXED BY VENDOR WITH REF TO DIMENSION 'L'.
4. THE 'L' DIMENSION SHALL BE ADJUSTABLE AT SITE BY $\pm 100\text{mm}$ (minimum).

SL No.	TAG No.	DESIGN LOAD \pm KN	L IN mm	RIGID STRUT QTY/UNIT IN No.	WELD ON BRACKET QTY/UNIT IN No.	REMARKS
01	LBA12BQ007	356	4972	1	2	
02	LBA21BQ024	195	4378	2	4	
03	LBA21BQ027	202	6205	2	4	
04	LBA12BQ058	790	2258	1	2	
05	LBA11BQ066	775	2259	1	2	
06	LBC21BQ014	150	5579	2	4	
07	LBC21BQ025	212	4105	1	2	

PREPARED SOURAV	APPROVED M.MANO	DATE 20.07.2015	DRG. No. 4-00-301-40776	REV. 00
------------------------	------------------------	------------------------	--------------------------------	----------------



PIPING CENTRE

DATA SHEET FOR RIGID STRUT

PROJECT : BARH STPP STAGE-1 (3x660 MW)

CUSTOMER : NTPC

CUST No. : 7285, 7286 & 7287

SL No.	TAG No.	DESIGN LOAD ± KN	L IN mm	RIGID STRUT QTY/UNIT IN No.	WELD ON BRACKET QTY/UNIT IN No.	REMARKS
08	LBC21BQ084	87	5555	1	2	
09	LBB11BQ017	133	3790	1	2	
10	LBB11BQ070	115	3778	1	2	
11	LBA12BQ002	179	1663	1	2	
12	LBA12BQ016	176	2648	1	2	
13	LBA31BQ032	256	2665	1	2	
14	LBA11BQ040	169	1663	1	2	
15	LBA11BQ101	170	2648	1	2	
16	LBC11BQ007	141	1607	1	2	
17	LBC32BQ029	75	1924	2	4	
18	LBC31BQ050	67	1924	2	4	
19	LBC31BQ063	202	1935	1	2	
20	LBC32BQ071	202	1935	1	2	
21	LBC21BQ024	178	2712	1	2	
22	LBB31BQ043	122	2031	2	4	
23	LBB31BQ044	64	2077	2	4	
24	LBB31BQ047	123	2774	1	2	
25	LBB31BQ049	65	1700	2	4	
26	LBB32BQ059	93	2046	2	4	
27	LBB32BQ061	99	2042	2	4	
28	LBB11BQ083	37	2160	1	2	

PREPARED

SOURAV

APPROVED

M.MANO

DATE

20.07.2015

DRG. No.

4-00-301-40776

REV.

00

SHEET 02 OF 03



PIPING CENTRE

DATA SHEET FOR RIGID STRUT

PROJECT : BARH STPP STAGE-1 (3x660 MW)

CUSTOMER : NTPC

CUST No. : 7285, 7286 & 7287

SL No.	TAG No.	DESIGN LOAD ± KN	L IN mm	RIGID STRUT QTY/UNIT IN No.	WELD ON BRACKET QTY/UNIT IN No.	REMARKS
29	LBB12BQ090	142	1525	1	2	
30	LBB12BQ092	43	2154	1	2	

PREPARED

SOURAV

APPROVED

M.MANO

DATE

20.07.2015

DRG. No.

4-00-301-40776

REV.

00

SHEET 03 OF 03