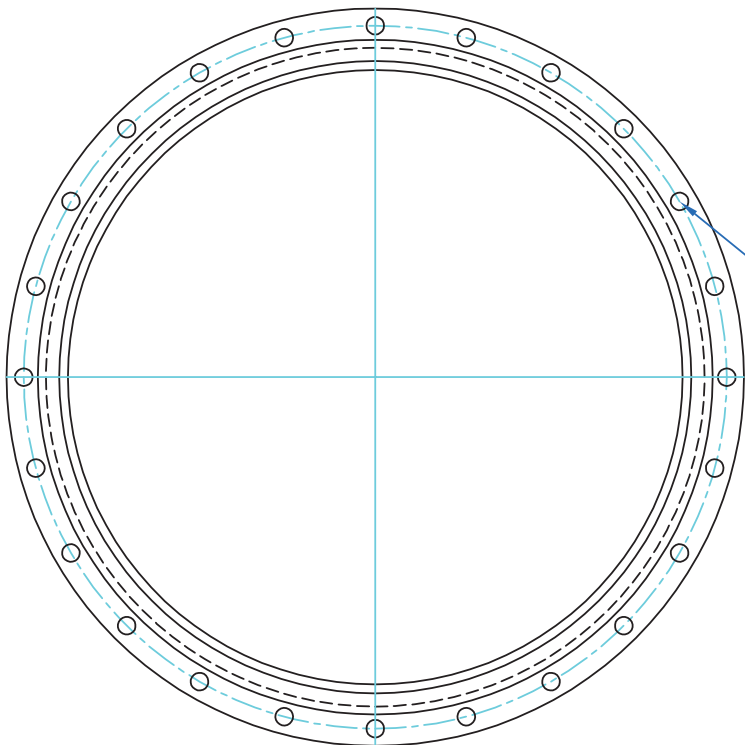
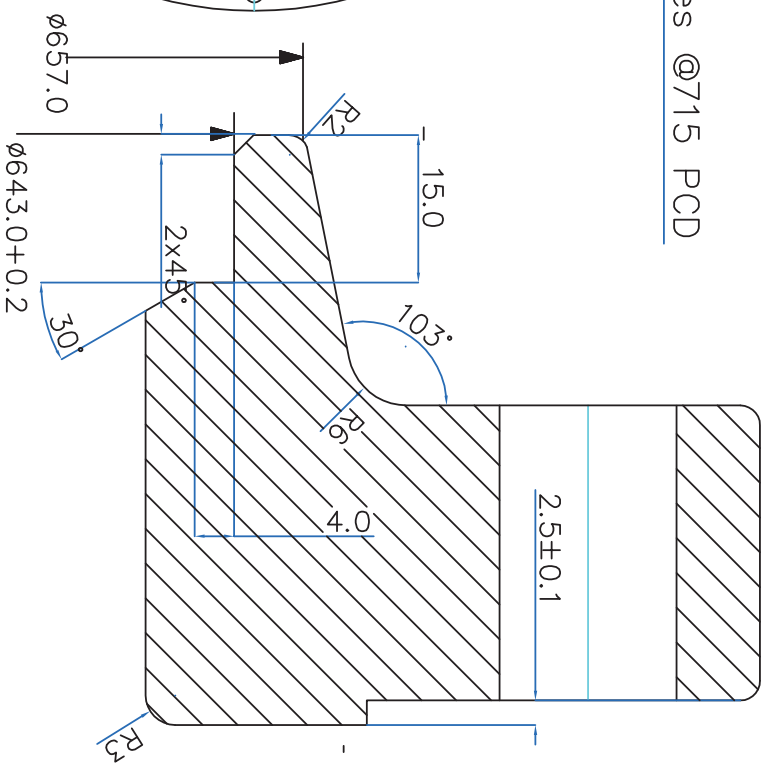


REFER DETAIL 'A'



24 Nos.  $\phi 18$  clear holes @715 PCD



DETAIL 'A'

10/07/14

VAR. NO.	REMARKS	VAR. NO.	ITEM NO.	DESCRIPTION	QTY	DRAWING NO.	VAR.	ITNO.	MATL. CODE	A	UNIT WT.	QTY.	ZONE
01	PLATE			$\phi 760 \times 65 \text{mm}$					SS-304L		01		

CGSM-145



BHARAT HEAVY ELECTRICALS LTD.  
HYDERABAD

NAME: BSMURTHY  
MIRAO  
DATE: 09.07.14

DEPT. CODE: 01  
GRADE OF WORK: NTS  
SCALE: NTS  
WEIGHT(KG):  
APPROVED: MIRA0  
REF. TO: RD DG 4 35 1351 1410  
ITEM NO.: 01  
NO. OF ITEMS: 1

TITLE: DISH END FLANGE  
CADD CODE: RD DG 4 35 1351 1411  
SHEET NO.: NO. OF SHEETS

REV.	DATE	ALTERED	REV.	DATE	ALTERED
		CHECKED			CHECKED
		ZONE			ZONE