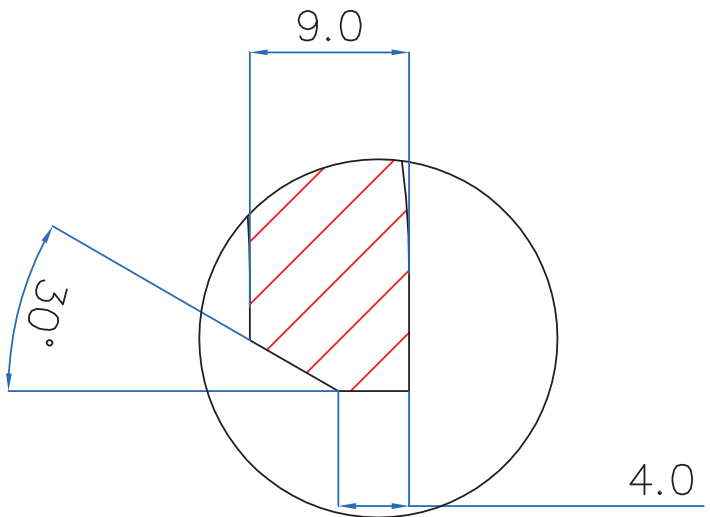
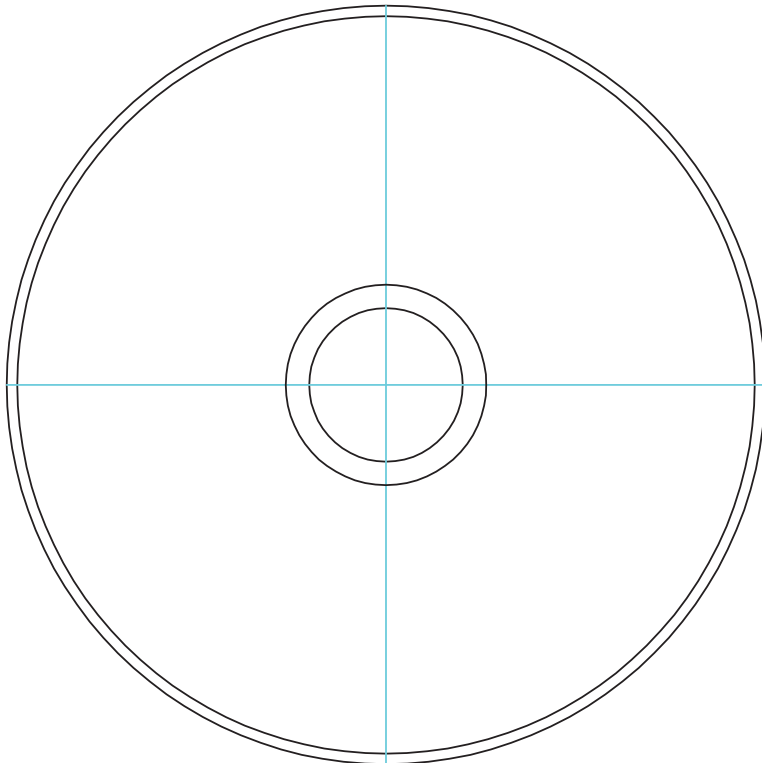


REFER DETAIL 'A'



DETAIL 'A'

10/07/14

VAR. NO.	REMARKS	VAR. ITEM NO.	DESCRIPTION	STD	DRAWING NO.	T/NO.	MATL. CODE	A	UNIT WT.	QTY.	ZONE
01			SHEET				SS-304L		01		

TYPE OF PRODUCT: CGSM-145

NAME OF CUSTOMER: BHARAT HEAVY ELECTRICALS LTD. HYDERABAD

DEPT. CODE	GRADE OF TOLE D/M	SCALE	WEIGHT(KG)	DRN BSM	SIGN.	DATE	NO. OF VARS.
		NTS		MMRAO		08.07.14	01

REV.	DATE	ALTERED CHECKED	REV.	DATE	ALTERED CHECKED

TITLE	CARD CODE	DRAWING NO.	SHEET NO.	NO. OF SHEETS
DISH END COVER		RD DG 4 35 1351 1412	2	1