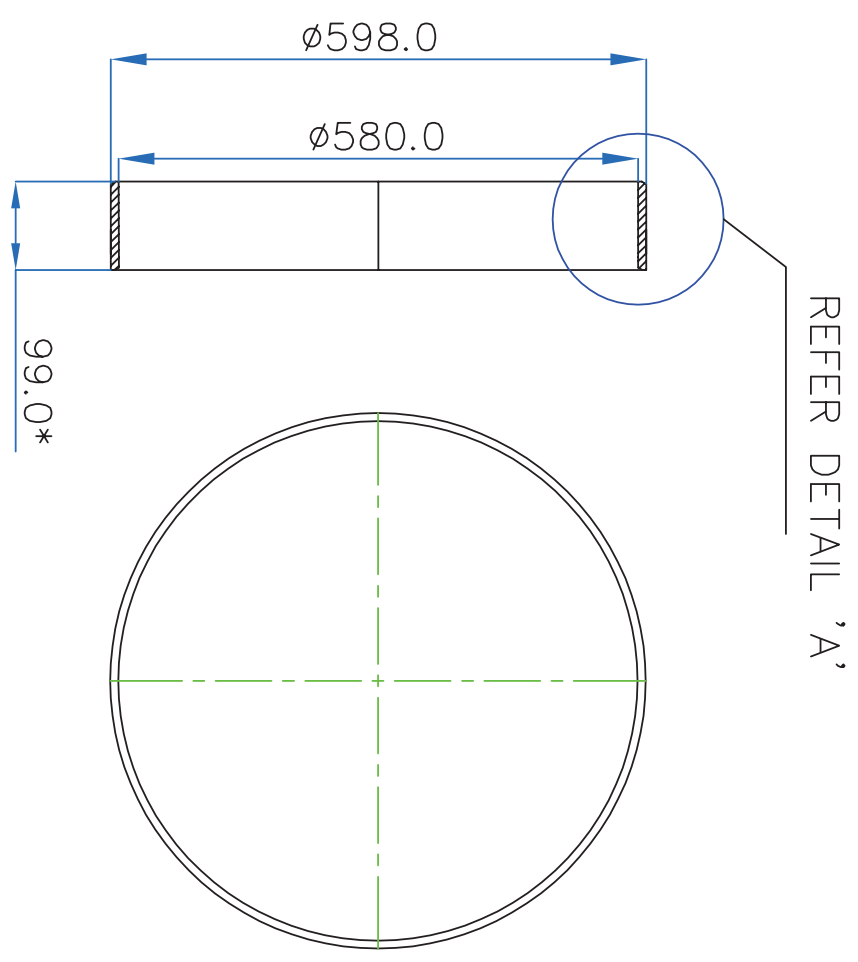


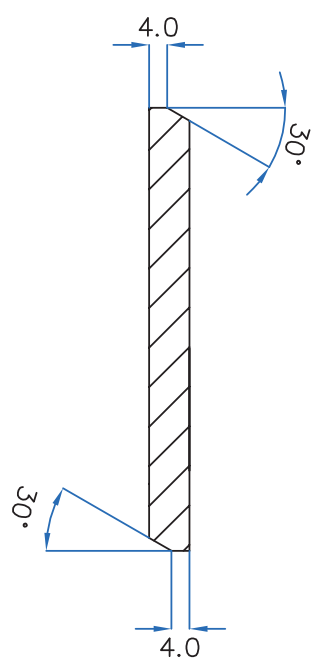
THE INFORMATION ON THIS DOCUMENT IS THE PROPERTY OF BHARAT HEAVY ELECTRICALS LIMITED. IT MUST NOT BE USED DIRECTLY OR INDIRECTLY IN ANY WAY DETRIMENTAL TO THE INTEREST OF THE COMPANY.

INVENTORY NO. SIGN. AND DATE REF. DRG. NO.



* LENGTH SHALL BE ADJUSTED TO MAKE THE FACE TO FACE DISTANCE BETWEEN FLANGES OF ASSEMBLY SHALL BE 1100MM

10/07/14



DETAIL 'A'

VAR. NO.	REMARKS	VAR. ITEM NO.	DESCRIPTION	STD	DRAWING NO.	VAR.	ITNO.	MATL. CODE	A	UNIT W.T.	QTY.	NO. OF VARS.
01			PIPE		Ø598 x Ø580 x 110			SS-304L		01		01

TYPE OF PRODUCT
NAME OF CUSTOMER
CGSM-145

DEPT. CODE	GRADE OF TOL. DIM. C/A/M	SCALE	WEIGHT(KG)	DRN. CNO	NAME	SIGN.	DATE	NO. OF VARS.
		NTS			BHARAT HEAVY ELECTRICALS LTD. HYDERABAD	ESMURTHY	08.07.14	01

REV.	DATE	ALTERED CHECKED	ZONE	REV.	DATE	ALTERED CHECKED	ZONE	TITLE	CARD CODE	DRAWING NO.	SHEET NO.	NO. OF SHEETS
								EXTENSION PIPE		RD DG 4 35 1351 1403		