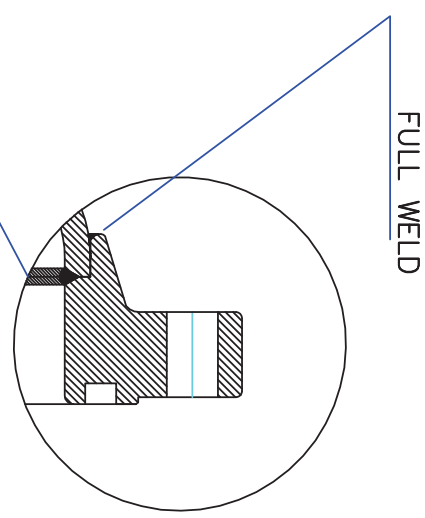
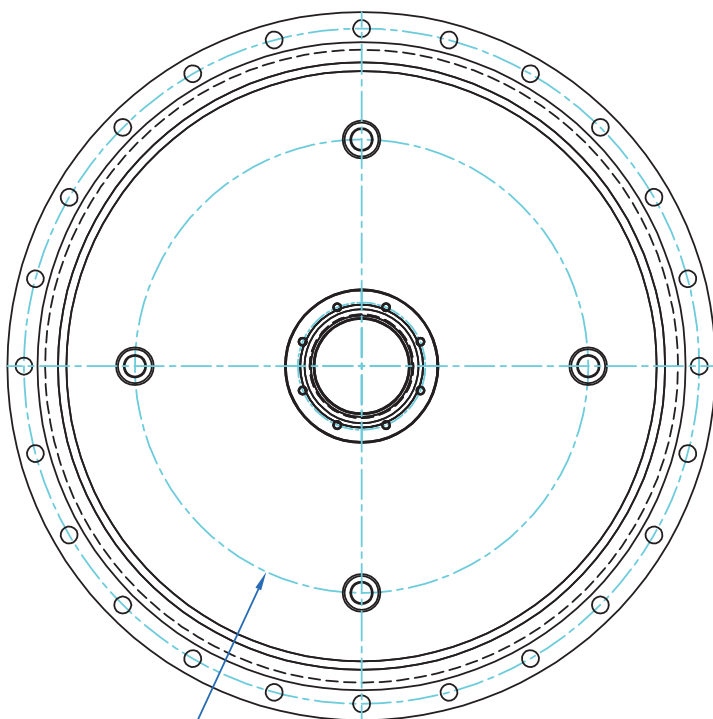


REFER DETAIL A



FULL WELD

DETAIL A

FULL WELD

VAR. NO.	REMARKS	VAR. ITEM NO.	DESCRIPTION	STD.	DRAWING NO.	ITNO.	MATL. CODE	A	UNIT	QTY.	ZONE
04	LIFTING STUD	RD DG 435 1351 1413					SS-304L			04	
03	FLANGE-III	RD DG 435 1133 4160					SS-304L			01	
02	DISH END COVER	RD DG 435 1351 1412					SS-304L			01	
01	DISH END FLANGE	RD DG 435 1351 1411					SS-304L			01	

10.07.14

CGSM-145

REV. DATE	ALTERED	CHECKED	ZONE	REV. DATE	ALTERED	CHECKED	ZONE
DEPT. CODE: CGSM GRADE OF C/D/M: NTS SCALE: NTS WEIGHT(KG): 01							
NAME OF CUSTOMER: BHARAT HEAVY ELECTRICALS LTD. HYDERABAD				NAME: ESMURTHY SIGN. DATE: 09.07.14			
TITLE: DISH END ASSY.				DRN: MMRAO CND: MMRAO APPD: MMRAO REF. TO: RD DG 4 35 1351 1400			
SHEET NO. RD DG 4 35 1351 1410				NO. OF SHEETS: 02			

INVENTORY NO.	SIGN. AND DATE	REF. DRG. NO.
---------------	----------------	---------------