

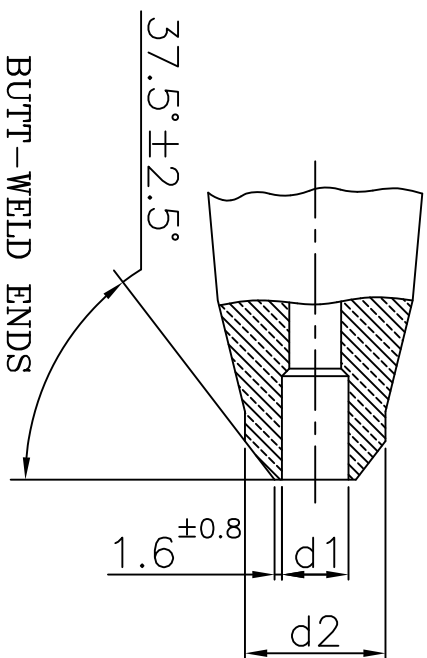
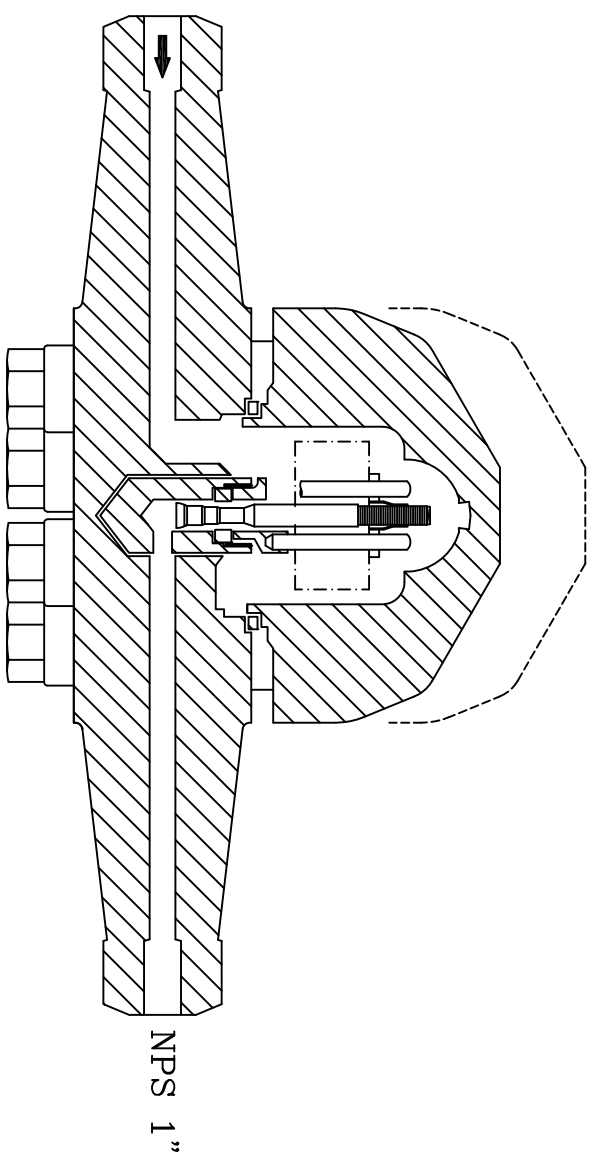
THE INFORMATION ON THIS DOCUMENT IS THE PROPERTY OF BHARAT HEAVY ELECTRICALS LIMITED. IT MUST NOT BE USED DIRECTLY OR INDIRECTLY IN ANY WAY DETERIMENTAL TO THE INTEREST OF THE COMPANY.

1006N-23131-3  
DRAWING No.

FIRST ANGLE PROJECTION

( ALL DIMENSIONS ARE IN mm )

FORM DG 38(B)



DESIGN DATA AND PIPE CONNECTION LIST FOR STEAM TRAP ( THERMOSTATIC BIMETALLIC TYPE):-

| TAG NO OF STEAM TRAP      | VAR            |  |                          |  |                |
|---------------------------|----------------|--|--------------------------|--|----------------|
|                           | VAR 01         | VAR 02   | VAR 03                   | VAR 04                                 | VAR 05         |
| MAL41AA041<br>MAL65AA041  | MAL14AA041     | MAL23AA041<br>MAL24AA041<br>MAL26AA041<br>MAL27AA041<br>MAL31AA041 | MAL20AA041<br>MAL22AA041 | MAL11AA041<br>MAL12AA041<br>MAL19AA041 |                |
| MATERIAL OF STEAM TRAP    | ASTM A 182 F11 | ASTM A 182 F22   | ASTM A 182 F91           | ASTM A 182 F22                         | ASTM A 182 F91 |
| MAX. INLET PR.(g)         | 93bar          | 76bar  | 67bar                    | 183bar                                 | 267bar         |
| MAX. INLET/OUTLET TEMP.   | 467°C          | 496°C  | 601°C                    | 548°C                                  | 573°C          |
| d1                        | 26.64 mm       | 26.64 mm   | 24.3 mm                  | 15.22 mm                               | 15.22 mm       |
| d2                        | 33.4 mm        | 33.4 mm  | 33.4 mm                  | 33.4 mm                                | 33.4 mm        |
| HYDROSTATIC TEST PR.(bar) | 140(min.)      | 114(min.)  | 101(min.)                | 275(min.)                              | 401(min.)      |
| TYPE OF END CONNECTION    | BUTT WELD      | BUTT WELD  | BUTT WELD                | BUTT WELD                              | BUTT WELD      |

OUTLET PRESSURE IS ATMOSPHERIC PRESSURE.

**NOTE:-** THIS DRAWING SHALL BE READ WITH  
DOC. NO. 413137U8401.

|               |             |                 |
|---------------|-------------|-----------------|
| Inventory No. | Sign & Date | Ref.Drawing No. |
|---------------|-------------|-----------------|

|   |        |                    |             |                          |         |
|---|--------|--------------------|-------------|--------------------------|---------|
| GRADE OF UNTOL.DIM                            |        | GMS No./C B O M    |             | STATUS OF DRG            |         |
| M/CG.- $\phi$ /M/ $\phi$ AA0230208            |        | AGREED             | NAME        | SIGN                     | DATE    |
| WELDING- $\phi$ /B/ $\phi$ / $\phi$ AA0621104 |        | DEPT               |             |                          |         |
| GAS CUTTING-T3'AA0621101                      |        |                    |             |                          |         |
| REV   | DATE   | REV                | DATE        | ALTERED                  | CHECKED |
|   |        |                    |             | CHECKED                  |         |
| TYPE OF PRODUCT                               |        | OR                 |             | NAME OF CUSTOMER/PROJECT |         |
| BHARAT HEAVY ELECTRICALS LTD.                 |        | RANIPUR, HARDWAR   |             |                          |         |
| DEPT  | STE    | SCALE              | WEIGHT (KG) | CARD                     | NO. OF  |
| CODE 4011                                     | N.T.S. |                    |             | CODE                     | VAR     |
| TITLE :                                       |        | REF. TO ASSY. DRG. |             | REV.                     |         |
| STEAM TRAP                                    |        |                    |             | DRAWING NO.              |         |
| THERMOSTATIC (BIMETALLIC TYPE)                |        |                    |             | 3-13137-U9001            |         |
|   |        |                    |             | SHEET No. 01             |         |
|   |        |                    |             | No. OF SHEETS 01         |         |
|   |        |                    |             | SIZE A3                  |         |