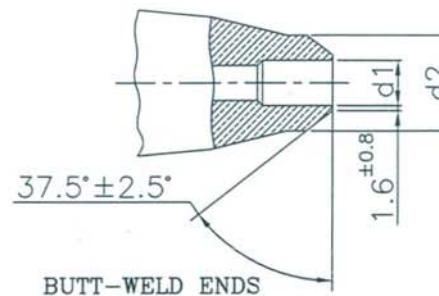
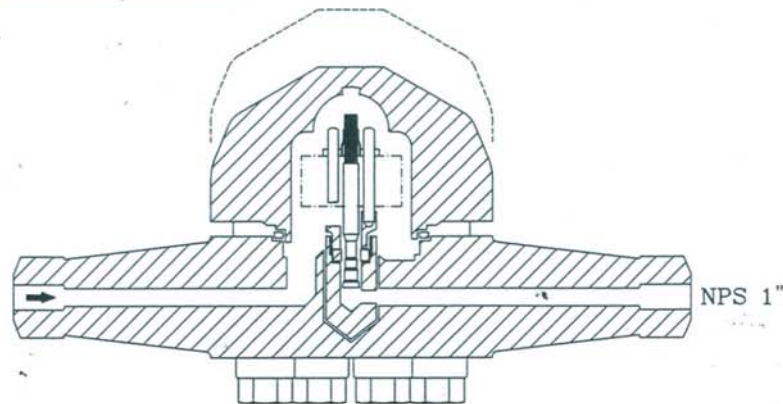


1001A-2E1E1-3
DRAWING No.



DESIGN DATA AND PIPE CONNECTION LIST FOR STEAM TRAP (THERMOSTATIC BIMETALLIC TYPE):-

	VAR 01	VAR 02	VAR 03	VAR 04	VAR 05
TAG NO OF STEAM TRAP	MAL23AA041 MAL24AA041 MAL26AA041 MAL27AA041 MAL31AA041	MAL11AA041 MAL12AA041 MAL19AA041	MAL20AA041 MAL22AA041	MAL14AA041	MAL41AA041 MAL65AA041
MATERIAL OF STEAM TRAP	ASTM A 182 F91	ASTM A 182 F91	ASTM A 182 F91	ASTM A 182 F22	ASTM A 182 F11
MAX. INLET PR.(g)	67bar	281bar	177bar	69bar	93bar
MAX. INLET/OUTLET TEMP.	601°C	601°C	560°C	517°C	484°C
d1	24.3 mm	15.22 mm	15.22 mm	26.64 mm	24.3 mm
d2	33.4 mm	33.4 mm	33.4 mm	33.4 mm	33.4 mm
HYDROSTATIC TEST PR.(bar)	101(min.)	422(min.)	266(min.)	104(min.)	140(min.)
TYPE OF END CONNECTION	BUTT WELD	BUTT WELD	BUTT WELD	BUTT WELD	BUTT WELD

NOTE:- THIS DRAWING SHALL BE READ WITH DOC. NO. 413137U8401.

OUTLET PRESSURE IS ATMOSPHERIC PRESSURE.

COPYRIGHT 'D CONFIDENTIAL
THE INFORMATION ON THIS DOCUMENT IS THE PROPERTY OF BHARAT HEAVY ELECTRICALS LIMITED. IT MUST NOT BE USED DIRECTLY OR INDIRECTLY IN ANY WAY DETERIMENTAL TO THE INTEREST OF THE COMPANY.

Ref. Drawing No.
Sign & Date
Inventory No.

GRADE OF UNTOL.DIM		GMS No./C B O M		STATUS OF DRG		TYPE OF PRODUCT									
M/CG.- ϕ /M/ ϕ AA0230208		AGREED DEPT		NAME		SIGN		DATE		OR					
WELDING- ϕ /B/ ϕ / ϕ AA0621104										NAME OF CUSTOMER/PROJECT					
GAS CUTTING-'T3'AA0621101										BHARAT HEAVY ELECTRICALS LTD. RANIPUR, HARDWAR		DRN P.S.SHARMA -sd- 27.08.15 CHD ANIL -sd- 27.08.15 APPD S.K.GUPTA -sd- 27.08.15		NO. OF VAR	
REV DATE ALTERED CHECKED		REV DATE ALTERED CHECKED		DEPT STE		SCALE N.T.S.		WEIGHT (KG)		REF. TO ASSY. DRG.		ITEM No.		NO. OF ITEMS	
				CODE 4011										73 74	
				TITLE : STEAM TRAP		CARD CODE		DRAWING NO. 3-13137-V1001		REV. 00				75 77	
				THERMOSTATIC (BIMETALLIC TYPE)				SHEET No. 01		No. OF SHEETS 01					