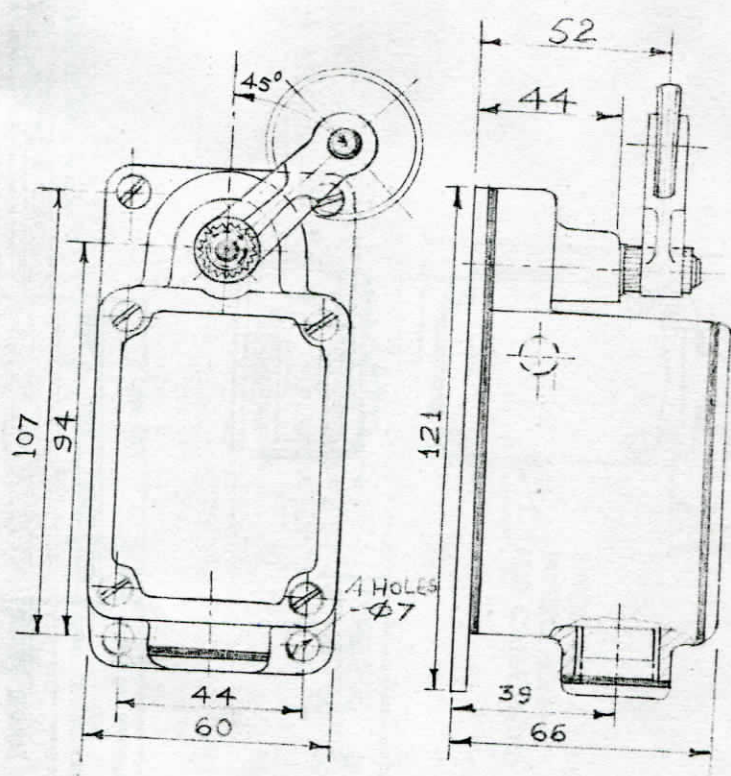


FIRST ANGLE PROJECTION (ALL DIMENSIONS ARE IN mm)

Form DG-39

The information on this document is the property of BHARAT HEAVY ELECTRICALS LIMITED. It must not be used directly or indirectly in anyway detrimental to the interest of the company.

REV	DATE	ALTERED	REV	DATE	ALTERED	GMS NO./GR. SP. NO.		STATUS OF DRG.	
		CHECKED			CHECKED				
						AGREED DEPT.	NAME	SIGN	DATE



REMARKS	ITEM NO.	DESCRIPTION	29	31	MATERIAL CODE	45	A	UNIT WEIGHT
65	75 25 27 29		58	59	32 33 46	54	55	56 57 66
CARD TYPE-3			CARD TYPE-1			CARD TYPE-2		

BHARAT HEAVY ELECTRICALS LTD.
HARDWAR

DRN.	NAME	SIGN	DATE	NO. OF VAR.
CHD.	K. Singh	[Signature]	9/2/89	
APPD.				

DEPT.	GRADE OF UNTOL: DIM.	SCALE	WEIGHT (KG)	REF. TO ASSY DRG.	ITEM NO.	NO. OF ITEMS
	C/M/F					

TITLE	1	3	DRAWING NO.	75	77
LIMIT SWITCH BK 300	CARD CODE	EPD/42/1486			
			22	23	24

J.P.W. Party
22.01.2014
(W. S. Party)

FIRST ANGLE PROJECTION

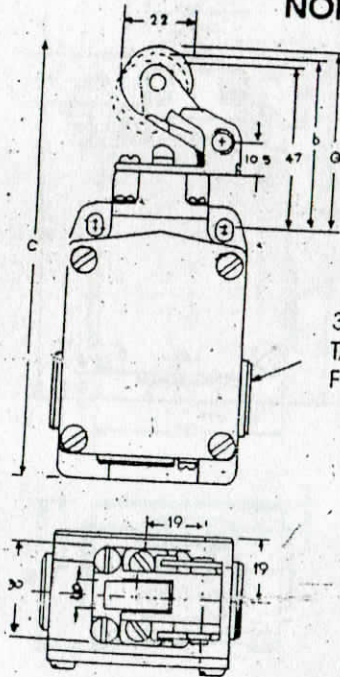
(ALL DIMENSIONS ARE IN mm)

FORM: DG-38(B)

6.3/ THE REST

D
DRAWING NO.

IN OIL-TIGHT DIECAST ALUMINIUM HOUSING
NORMAL ROLLER LEVER



3 NOS. M20 X 1.5 CONDUIT
TAPPED HOLES
FOR CABLE ENTRY

TYPE	a	b	c
45-45	56	55	137

1. BLUNT ALL SHARP CORNERS

MAT.-

COPYRIGHT AND CONFIDENTIAL
THE INFORMATION ON THIS DOCUMENT IS THE PROPERTY OF
BHARAT HEAVY ELECTRICALS LIMITED. IT MUST NOT BE USED DIRECTLY
OR INDIRECTLY IN ANY WAY DETRIMENTAL TO THE INTEREST OF THE COMPANY.

REF. DRG NO.

SIGN & DATE

INVENTORY NO.

Handwritten signature and date:
P.K. Gupta
22/05/2014
(W.S.S. Party)

GRADE OF UNTOL DIM.:-		CBOM NO.		STATUS OF DRG.		TYPE OF PRODUCT OR NAME OF CUSTOMER/ PROJECT		PLAN NO.-	
M/CG- X/C/M/Y AA 0230208		AGREED DEPT.		NAME SIGN DATE		NAME SIGN DATE		BLOCK-I	
WELDING-A/B/C/D-AA621104		REV. DATE		ALTERED CHECKED		DEPT. WEX		DRN	
GAS CUTTING-T3'AA0621101		REV. DATE		ALTERED CHECKED		CODE/DESIGN		CHD	
		REV. DATE		ALTERED CHECKED		SCALE		APD	
		REV. DATE		ALTERED CHECKED		WEIGHT (Kg.)		REF. TO ASSY. DRG.	
		REV. DATE		ALTERED CHECKED		TITLE		NO. OF VAR.	
		REV. DATE		ALTERED CHECKED		HEAVY DUTY LIMIT SWITCH		75, 74	
		REV. DATE		ALTERED CHECKED		10A, 230VAC OR DC WITH ANGULAR		ITEM NO.	
		REV. DATE		ALTERED CHECKED		LEVER, SPRING RETURN (INO+INC)		75, 71	
		REV. DATE		ALTERED CHECKED		DRAWING NO.		NO. OF ITEMS	
		REV. DATE		ALTERED CHECKED		EPD/42/1487		75, 23, 24	
		REV. DATE		ALTERED CHECKED		SHEET NO. 01		NO. OF SHEETS 01	

SIZE A3

FIRST ANGLE PROJECTION

(ALL DIMENSIONS ARE IN mm)

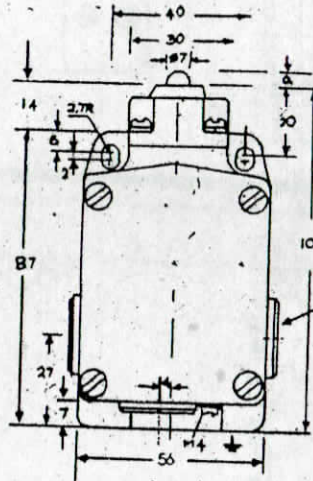
FORM: DG-38(B)

DRAWING NO.

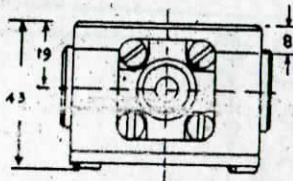
6.3 THE REST

COPYRIGHT AND CONFIDENTIAL
 THE INFORMATION ON THIS DOCUMENT IS THE PROPERTY OF
 BHARAT HEAVY ELECTRICALS LIMITED. IT MUST NOT BE USED DIRECTLY
 OR INDIRECTLY IN ANY WAY DETRIMENTAL TO THE INTEREST OF THE COMPANY.

PUSH ROD ACTUATOR



3 NOS. M20 X 1.5 CONDUIT
TAPPED HOLES
FOR CABLE ENTRY



TYPE	a
45-9	6

1. BLUNT ALL SHARP CORNERS

MAT.-

GRADE OF UNTOL. DIM.:-		CBOM NO.		STATUS OF DRG.		TYPE OF PRODUCT OR NAME OF CUSTOMER/ PROJECT		PLAN NO.-	
M/CG- X/S/M/B AA 0230208		AGREED DEPT.		NAME SIGN DATE		NAME SIGN DATE NO. OF VAR.		BLOCK-I	
WELDING-A/B/C/D-AA621104		---		---		DRN		---	
GAS CUTTING-T3AA0621101		---		---		CHD		M.A. NOJ KR 5/4/13	
REV.	DATE	ALTERED	REV.	DATE	ALTERED	APD		P.K. GUPTA 5/14/13	
		CHECKED			CHECKED	DEPT. WEX		REF. TO ASSY. DRG.	
						CODE/DESIGN		ITEM NO. NO. OF ITEMS	
						SCALE 1:1		75, 77	
						WEIGHT (Kg.)		DRAWING NO.	
						---		EPD/42/1488	
						TITLE HEAVY DUTY LIMIT SWITCH 10A, 230V AC OR DC WITH PUSH ROD, SPRING RETURN (INO+INC)		SHEET NO. 01 NO. OF SHEETS 01	
						---		SIZE A3	

22.07.2014
 W. S. Parity