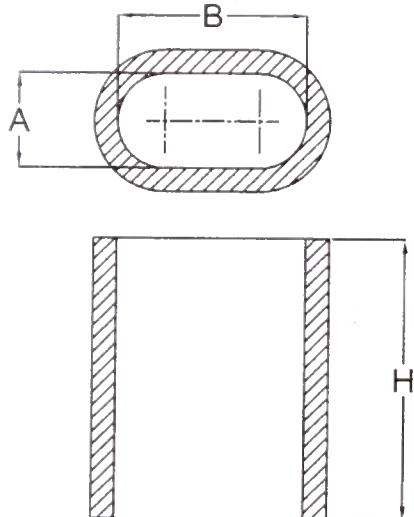


FIRST ANGLE PROJECTION

(ALL DIMENSIONS ARE IN mm)

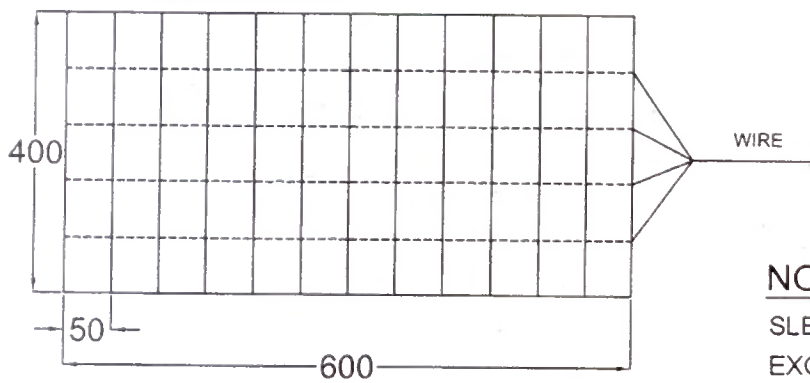
THE INFORMATION ON THIS DOCUMENT IS THE PROPERTY OF BHARAT HEAVY ELECTRICALS LIMITED. IT MUST NOT BE USED DIRECTLY OR INDIRECTLY IN ANY WAY DETRIMENTAL TO THE INTEREST OF THE COMPANY

REV.	DATE	ALTERED	TS	REV.	DATE	ALTERED	ARPAK
	23-06-09	CHECKED	MNA		05-08-11	CHKD/APPD	MNA
01	S. NO.8 & 9 ADDED			02	DETAILS OF S. NO.9 ADDED		



S. NO.	SIZE		
	A	B	H
1	100	200	300
2	50	100	300
3	150	300	300
4	200	400	300
5	225	450	300
6	275	550	300
7	200	500	300
8	300	500	300
9	400x600x30MM THICK (USE FLEXIBLE PADS OF 400 LENGTH 50 WIDTHX 30 THICK AS SHOWN.)		

DETAILS OF S.NO. 9



NOTE:
SLEEVE THICKNESS :25 mm
EXOTHERMIC AND INSULATING
SPECIFICATION :AA53618

REMARKS	ITEM NO	DESCRIPTION	STD	MATL. CODE	A/C	UNIT	UNIT Wt.	
				AA53618			QTY.	
BHARAT HEAVY ELECTRICALS LTD. HYDERABAD				DRN.	LKK		19-03-99	NO. OF VAR.
				CHD.	TS		22-03-99	-NA-
				APPD.	SCR		22-03-99	
DEPT. F&P	UNTOL. DIM. GR. C/M/F/		SCALE N.T.S	WEIGHT(KG)	REF. TO ASSY DRG. -NA-	ITEM NO. -NA-	NO. OF ITEMS -NA-	
CODE 204A								
TITLE EXO.SLEEVES (OVAL SHAPE) FLEXIBLE PAD				CARD CODE -NA-	DRAWING NO. 4-04-865		REV. 02	
				SHT No. 1	NO OF SHT. 1			

GENERAL DIMENSIONAL LIMITS, FITS & TOLERANCES AS PER P. S: HY0230261

SIGN. AND DATE REF. DRG. NO. INVENTORY NO.