

DRIVING GEAR

- NOTES:
 1. ALL DIMENSIONS ARE IN MM
 2. SCALE N.T.S.
 3. MATERIAL-CASE HARDENED (M.S.)
 4. TOLERANCES: ±0.05MM(U.N.O.)
 5. NO. OF TEETH- 18



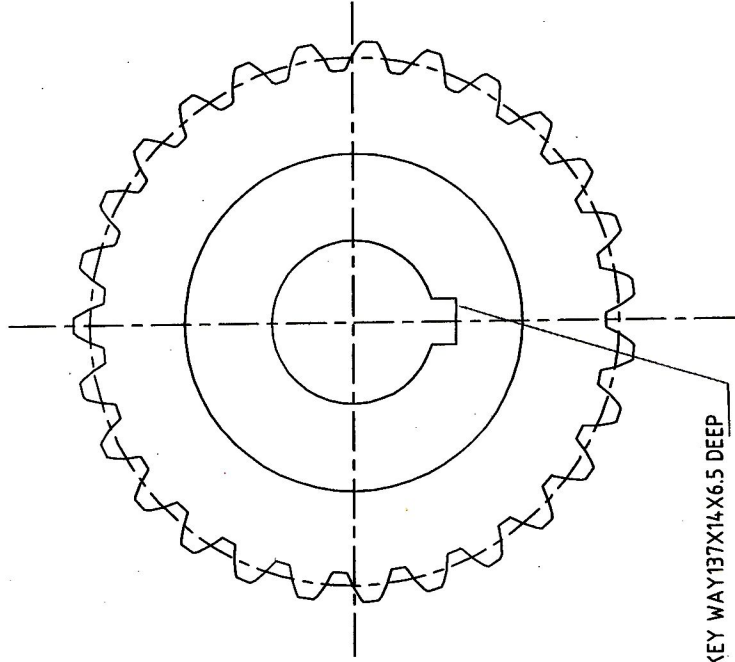
BHARAT HEAVY ELECTRICALS LIMITED

TITLE: - REDUCTION GEAR
 BOX OF UP-COILER
 SLITTING LINE # 1076

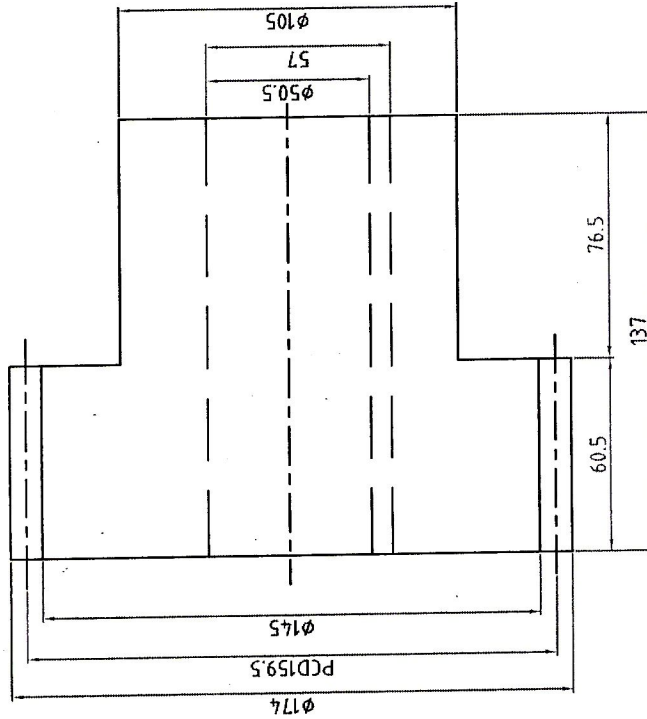
DRG. NO. BHEL/JHS/WE&S/A4 2018

SHEET 1 OF 2	
DRAWN	ANAND KUMAR
CHECK	UMESH GURIA
APPR.	VIVEK GUPTA.
	05.10.2015
	05.10.2015
	05.10.2015

VIVEK KUMAR GUPTA
 Sr. Engineer (WEX)
 B. H. E. L., Jhansi



KEY WAY 197X14X6.5 DEEP



1-ALL DIMENSION ARE IN MM

2-SCALE-NTS

3-THICKNESS OF TEETH-13MM

4-NO.OF TEETH-27

5-TOP THICKNESS OF TEETH-5MM

6-DEPTH OF TEETH-14.5

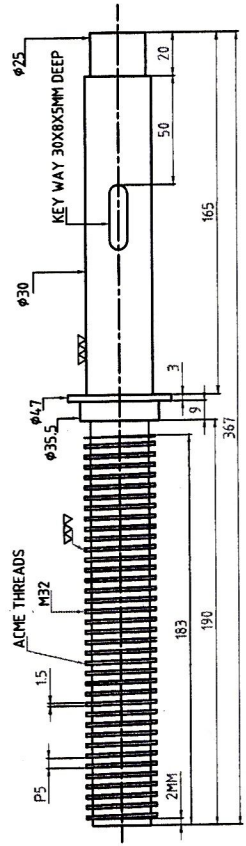
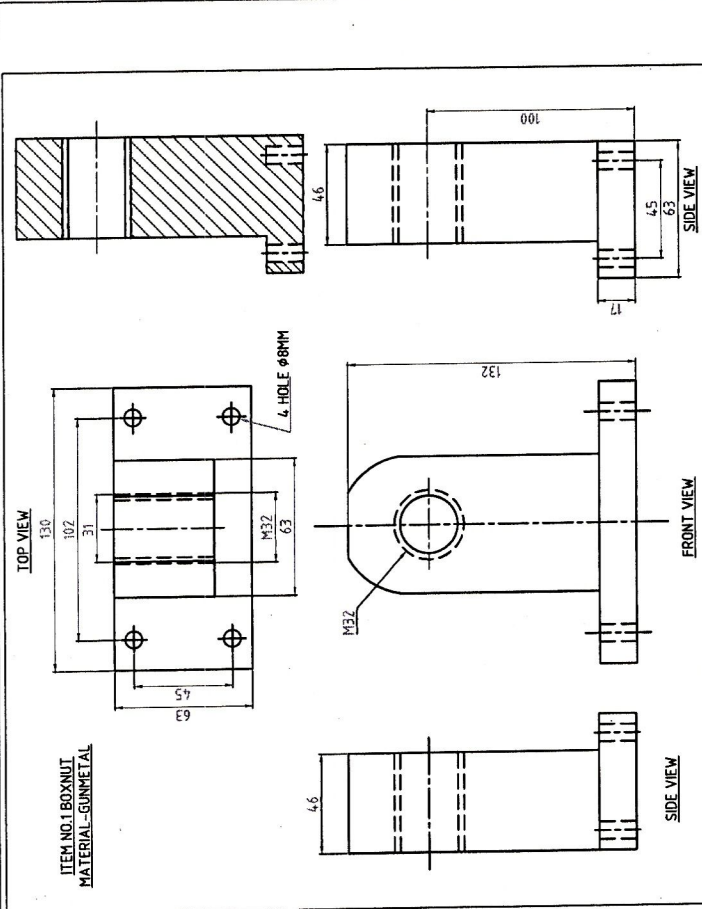
7-PCD-159.5

8-MODULAS-6

9-MATERIAL - (PHENOLIC COTTON CLOTH BAKELITE)

BHARAT HEAVY ELECTRICALS LIMITED JHANSI		DRG.NO. -BHEL/JHS/WE&S/A4 1937	
REV -	NAME -	SIG -	DATE -
DRAWN	ANAND KUMAR	<i>[Signature]</i>	14.07.2014
CHECKED	UMESH GURIA	<i>[Signature]</i>	14.07.2014
APPROVED	VIVEK GUPTA	<i>[Signature]</i>	14.07.2014
TITLE - SPUR GEAR M/C NO.1076			

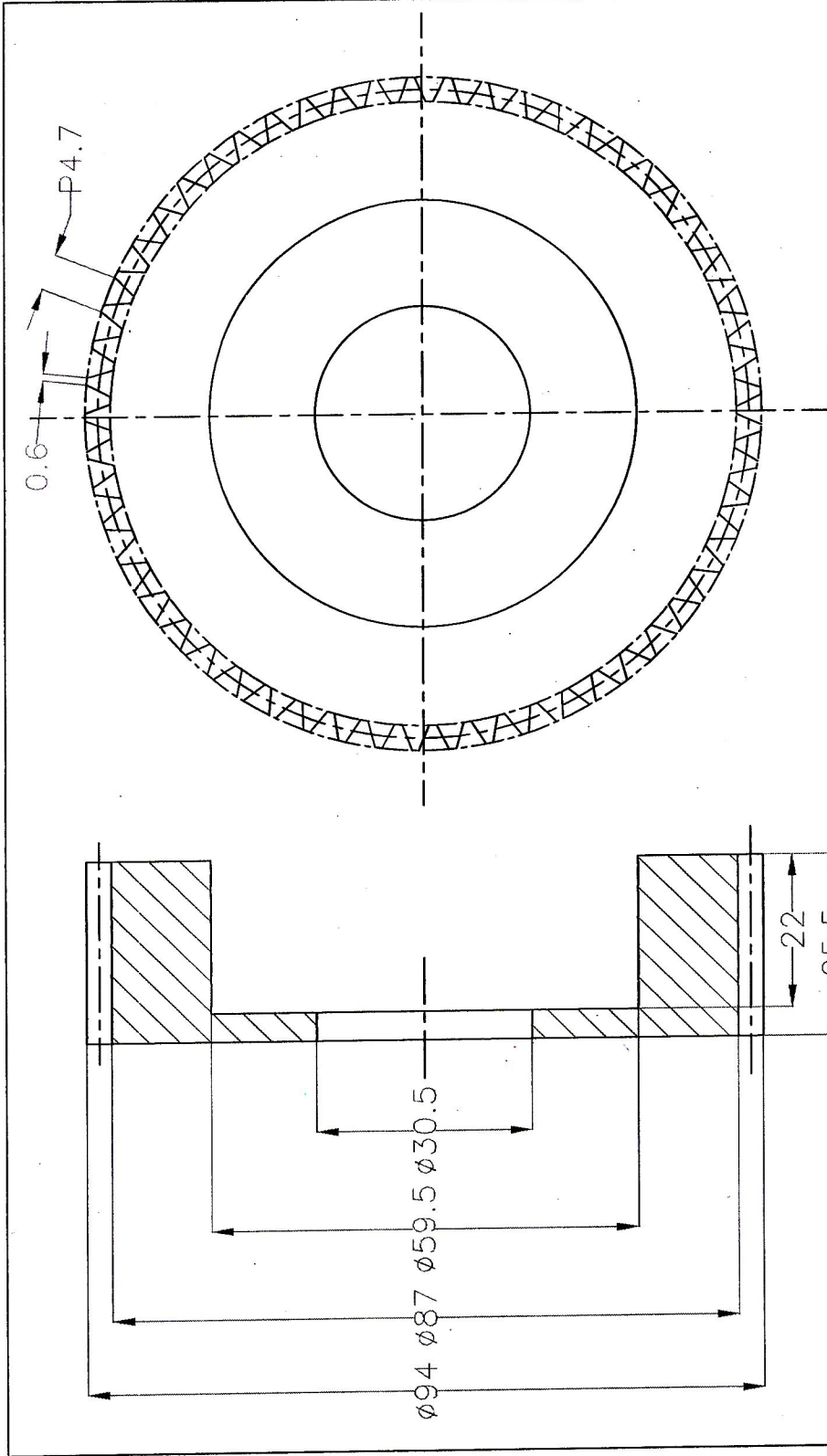
VIVEK KUMAR GURTA
Sr. Engineer (WEX)
B. H. E. L., Jhansi



NOTE:-
1- ALL DIMENSIONS ARE IN MM
2- SCALE NTS
3- GEOMETRICAL TOLERANCE ±0.05 UNO.

	DRG. NO. BHEL/JHS/WE&S/A4-1993	
	DRAWN ANAND KUMAR	DATE 16.04.2015
	CHECK UMESH GURIA	16.04.2015
TITLE: - LEAD SCREW & BOXNUT CIRCULAR SAW #1545		APPR. VIVEK GUPTA

ANAND KUMAR GUPTA
Sr Engineer (WEX)
B. H. E. L., Jhansi



NOTE-

1. ALL DIMENSIONS ARE IN MM
2. SCALE NTS
3. MATERIAL - NYLON
4. NO. OF TEETH - 60
5. TOLERANCE : ± 0.1 MM(U.N.O.)



BHARAT HEAVY ELECTRICALS LIMITED

DRG. NO. BHEL/JHS/W&S/A4 2006

TITLE:-
SPUR GEAR TOROIDAL WINDING
M/C #1369

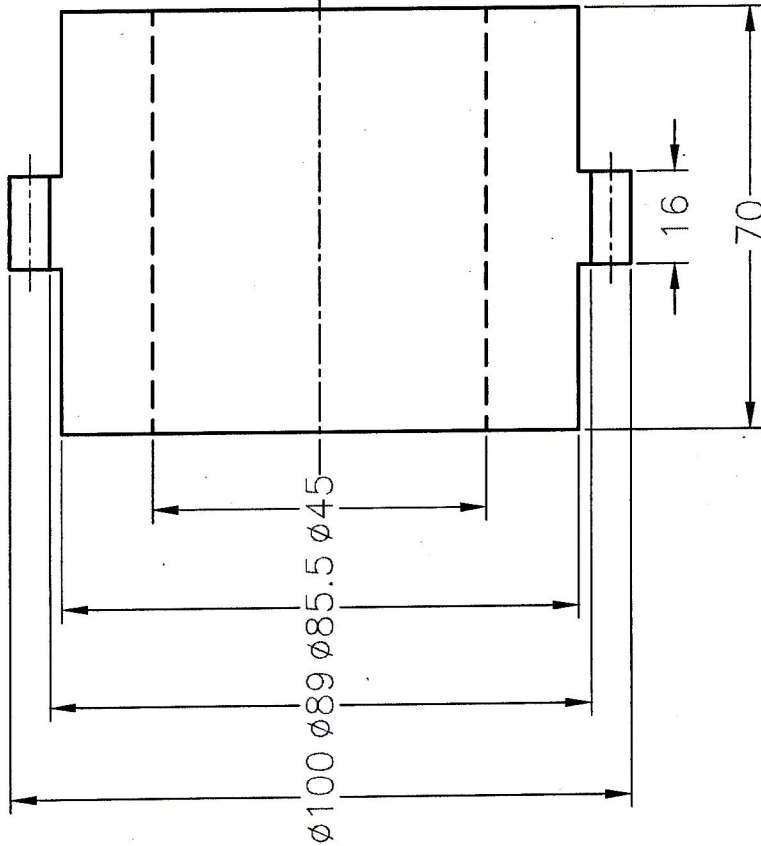
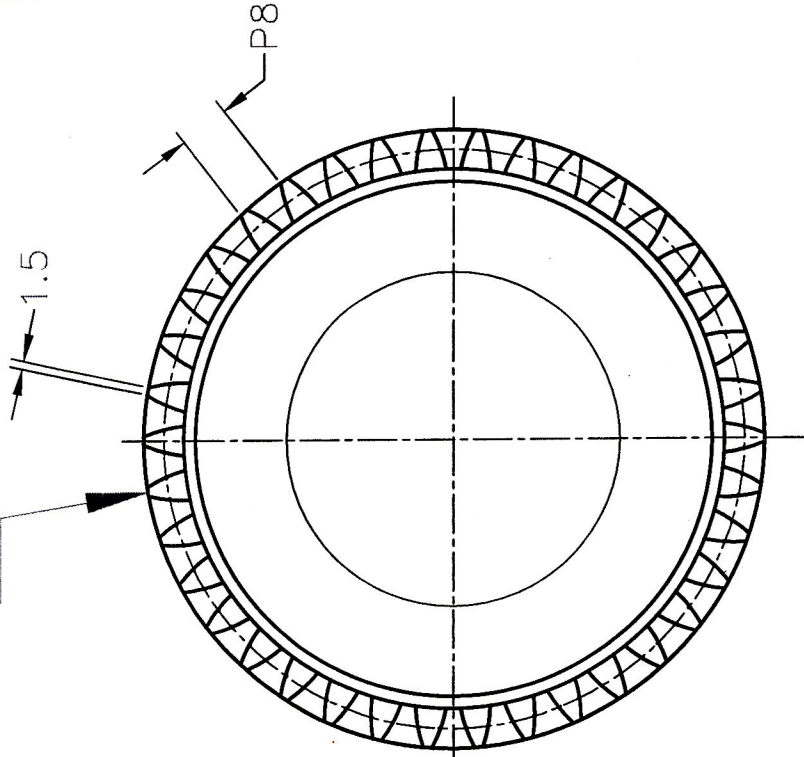
DRAWN ANAND KUMAR 29.07.2015

CHECK UMESH CURIA 29.07.2015

APPROVED BY ANAND KUMAR 29.07.2015

Sr Engineer (W&S)
B. H. E. L., Jhansi

NO.OF TEETH 38



NOTE--

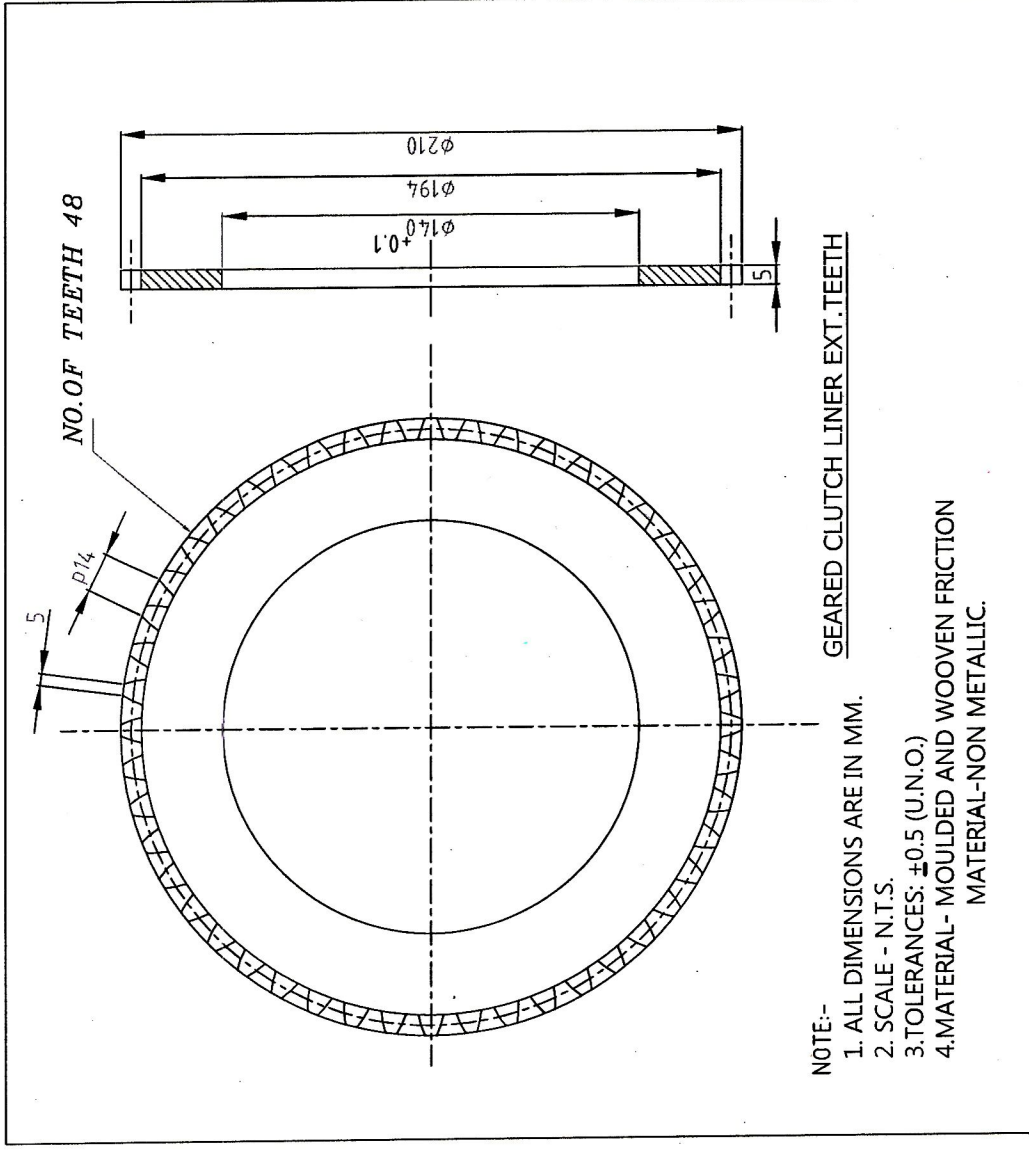
- 1: ALL DIMENSIONS ARE IN MM
- 2: SCALE- NTS
- 3: MATERIAL - 4140 ALLOY STEEL.
- 4: TOLERANCES :± 0.5 MM (U.N.O.)

BHEL BHARAT HEAVY ELECTRICALS LIMITED

DRG. NO.BHEL/JHS/WES/44 2021


TITLE:-	DRAWN	ANAND KUMAR	07.10.2015
COUPLING FOR 10T EOT CRANE	CHECK	UMESH GURJA	07.10.2015
#9552	APPR.	VIVEK GUPTA	07.10.2015

Sr Engineer (WEX)
B. H. E. L., Jhansi



NOTE:-
 1. ALL DIMENSIONS ARE IN MM.
 2. SCALE - N.T.S.
 3. TOLERANCES: ±0.5 (U.N.O.)
 4. MATERIAL - MOULDED AND WOVEN FRICTION MATERIAL-NON METALLIC.

GEARED CLUTCH LINER EXT. TEETH

 BHARAT HEAVY ELECTRICALS LIMITED	DRG. NO. BHEL/JHS/WE&S/A4-2022	
	DRAWN ANAND KUMAR	08.10.2015
TITLE: - CLUTCH PLATE #1355		CHECK UMESH GURIA 08.10.2015 APPR. VIVEK GUPTA 08.10.2015 Sr. Engineer

P.T.A
 08.10.2015
 Sr. Engineer
 B. H. E. L. Jhansi