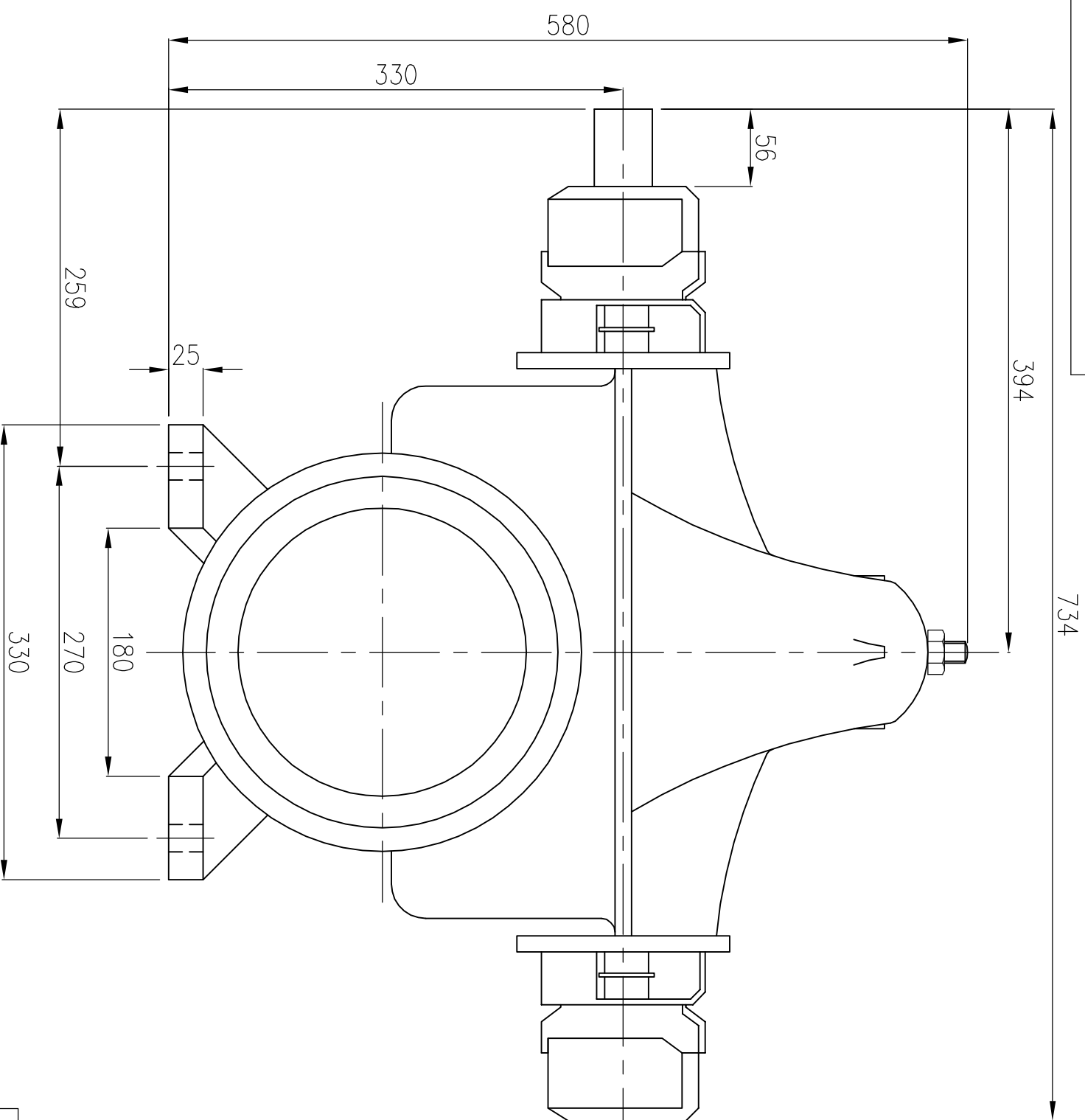


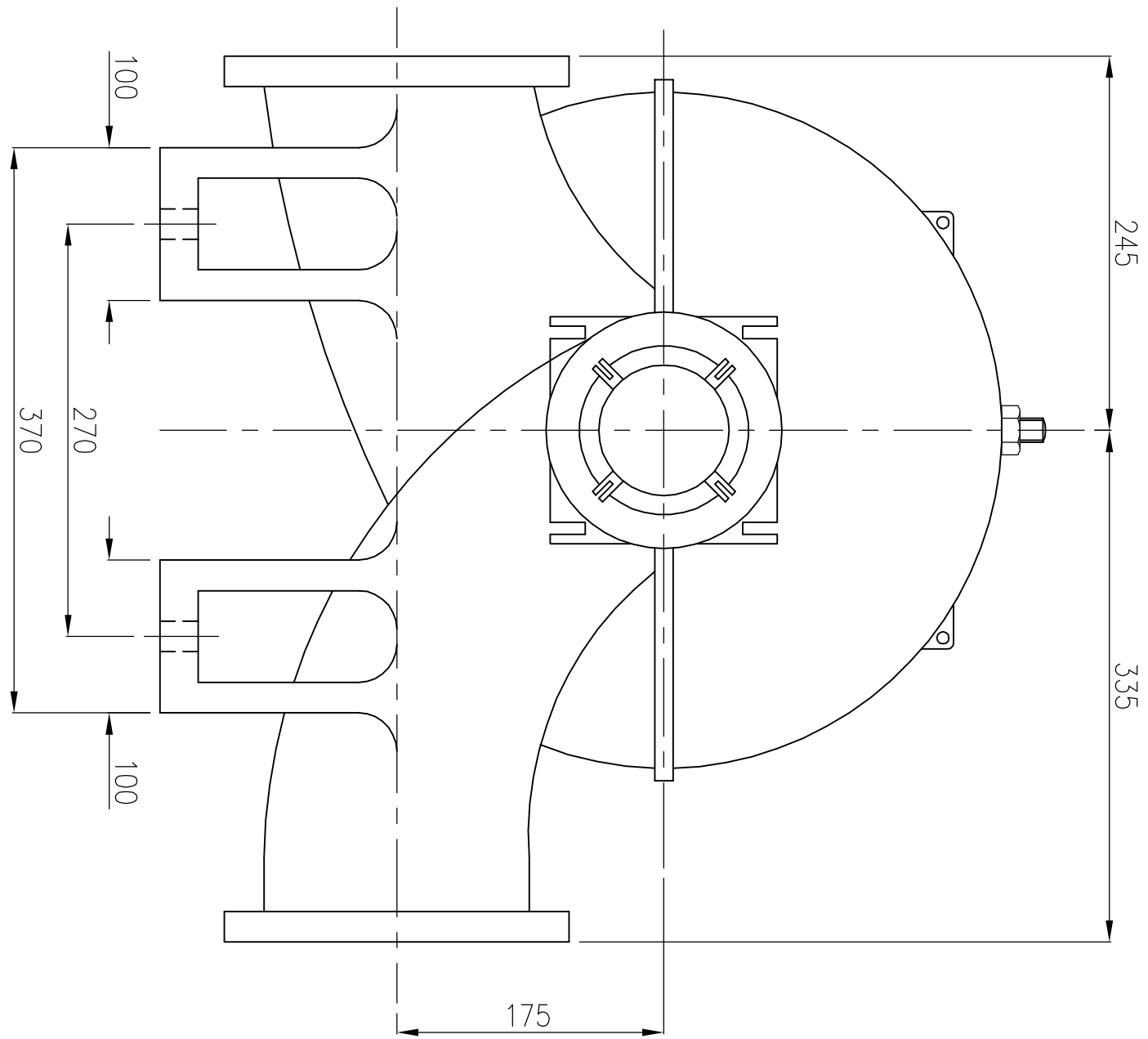
INVENTORY NO. SIGN. AND DATE REF. DRG. NO. THE INFORMATION ON THIS DOCUMENT IS THE PROPERTY OF BHARAT HEAVY ELECTRICALS LIMITED. IT MUST NOT BE USED DIRECTLY OR INDIRECTLY IN ANY WAY DETRIMENTAL TO THE INTEREST OF THE COMPANY



PUMP SPECIFICATION:
 -PUMP TYPE:HORIZONTAL SPLIT CASE
 -TOTAL HEAD:25m
 -RATE OF FLOW: 62.5l/s
 -PUMP INPUT: 18.2kW
 -SPEED: 1460RPM
 -PRIMEOVER RATING: 22kW

3Ø INDUCTION ENERGY EFFICIENT MOTOR SPECIFICATION:
 -FRAME:180L MK II
 -KW :22
 -RPM : 1460
 -VOLTS : 415 ±10%
 -AMP : 38

- SUCTION(INLET): 150mm
- DELIVERY(OUTLET):125mm
- DRIVE: DIRECT DRIVE WITH LOVEJOY COUPLING
- SHAFT SEALING: GLAND PACKING
- IMPELLER: CI SIZE-299mm
- BOTH PUMP & MOTOR MOUNTED ON A COMMON FABRICATED BASE FRAME WITH FOUNDATION BOLTING FACILITY



NAME OF MACHINE/PROJECT : RAW WATER PUMP FOR

SA : MOTOR & PUMP

INV.NO: 04-1387

FILE NO. 653

		BHARAT HEAVY ELECTRICALS LTD. HYDERABAD		DRN. NVDP CHD. K.PHLK APPD. CS KUMAR	NAME NVDP K.PHLK CS KUMAR	SIGN. 	DATE 13.05.16 13.05.16 13.05.16	NO.OF VAR.
DEPT. FP&D CODE 335	GRADE OF TOL.DIM. C/M/F	SCALE 1:4	WEIGHT (KG)	REF. TO ASSY DRG.	APPD. CS KUMAR	REF. TO ASSY DRG.	ITEM NO.	NO.OF ITEMS
TITLE RAW WATER PUMP WITH MOTOR FOR ABP F/C				CARD CODE	DRAWING NO. 3-RS-9322		REV. 00	
NAME OF MACHINE/PROJECT : RAW WATER PUMP FOR				INV.NO: 04-1387	FILE NO. 653		SHEET No. 1	NO OF SHEETS 1