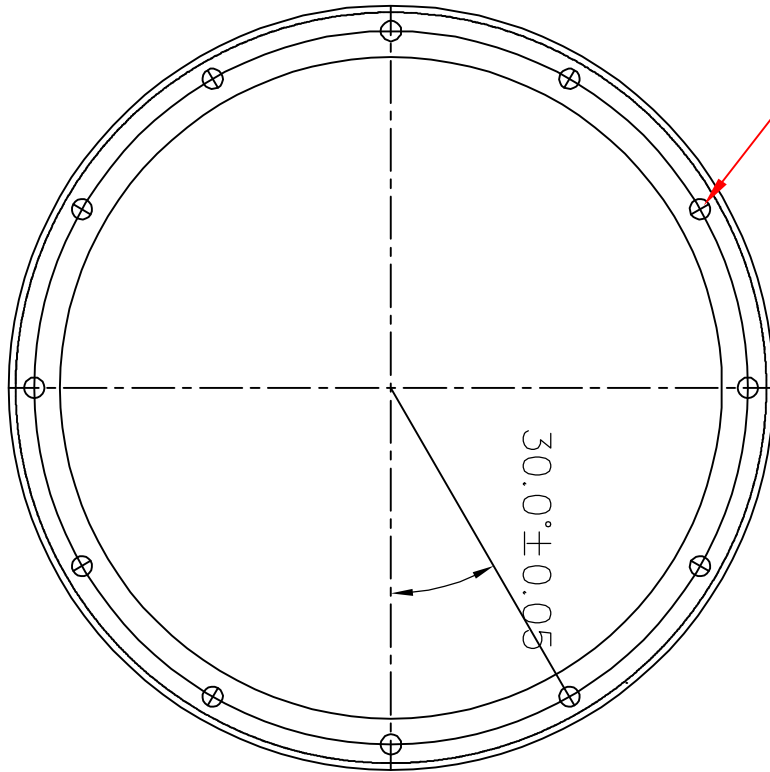
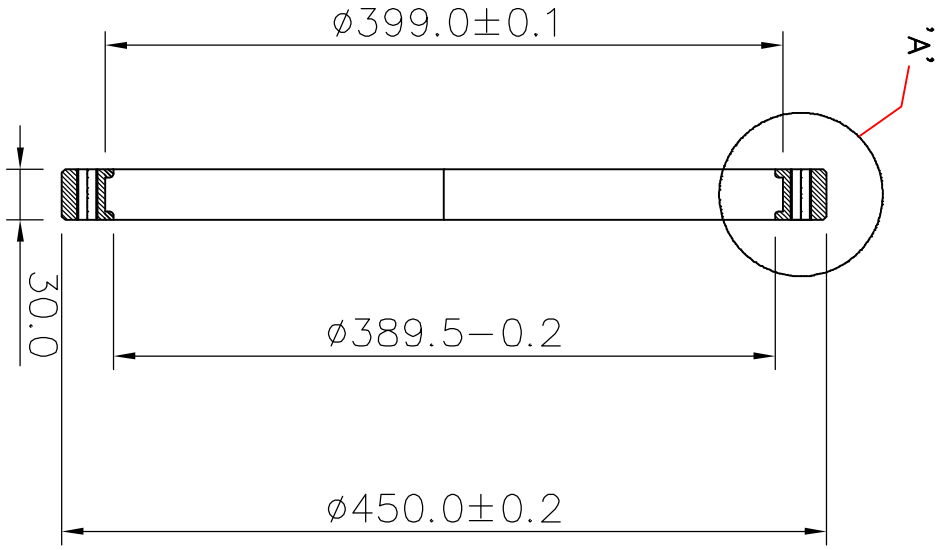


120-6150-0519-021
DRG. NO.

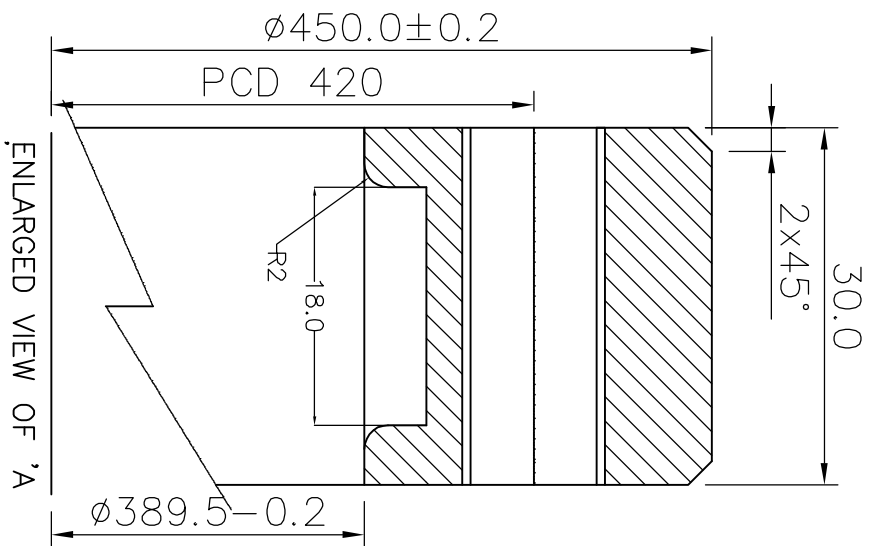
FIRST ANGLE PROJECTION

(ALL DIMENSIONS ARE IN mm)



12 Nos. M12 taps @ 420 PCD

(~1.6)



ENLARGED VIEW OF 'A'

VAR. NO.	REMARKS	VAR. NO.	ITEM NO.	DESCRIPTION	STD.	DRAWING NO.	IT. NO.	MTL. CODE	A	C	U	QTY.	ZONE
02	LT INSERT					RDD0435-0519-021	HE-30					01	

TYPE OF PRODUCT
NAME OF CUSTOMER

CGSM-245



BHARAT HEAVY ELECTRICALS LTD.
HYDERABAD

NAME: KSRRAO
CHKD: AGARWAL S
APPRD: MMRAO
REF. TO: RDD0435-0519-020
DATE: 15.05.12
NO. OF SHEETS: 01

REV.	DATE	ALTERED CHECKED	ZONE

REV.	DATE	ALTERED CHECKED	ZONE

DEPT. CODE	GRADE OF C/M/F	SCALE	WEIGHT(KG)	DRAWING NO.	CARD CODE	SHEET NO.	NO. OF SHEETS
		NTS		RDD0435-0519-021		1	

LT INSERT