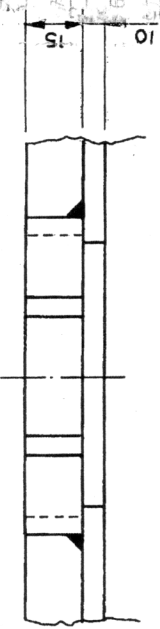
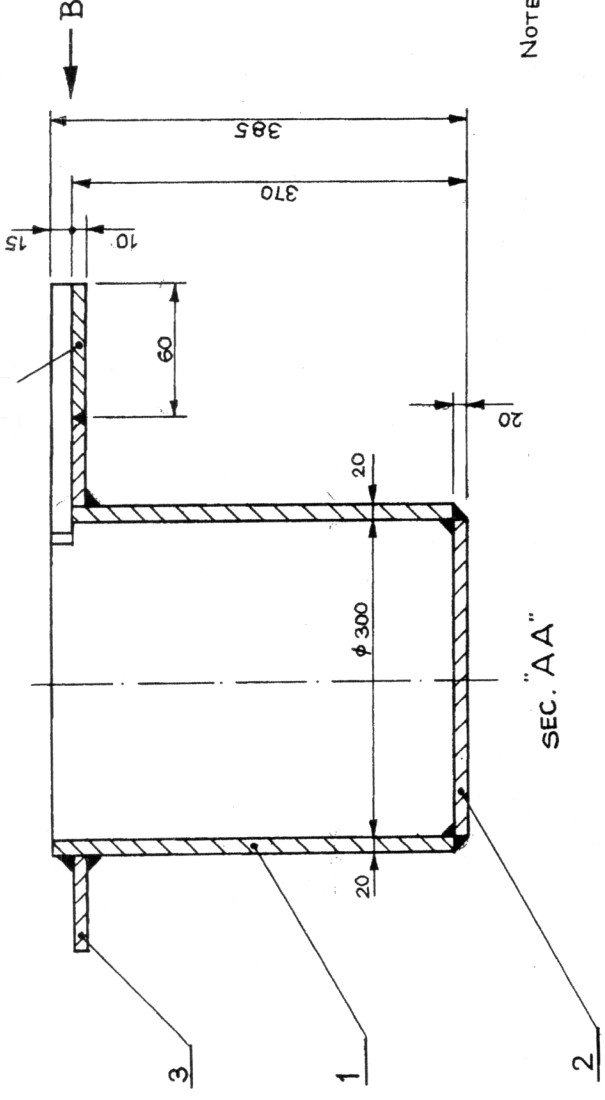


MIA/1100/003

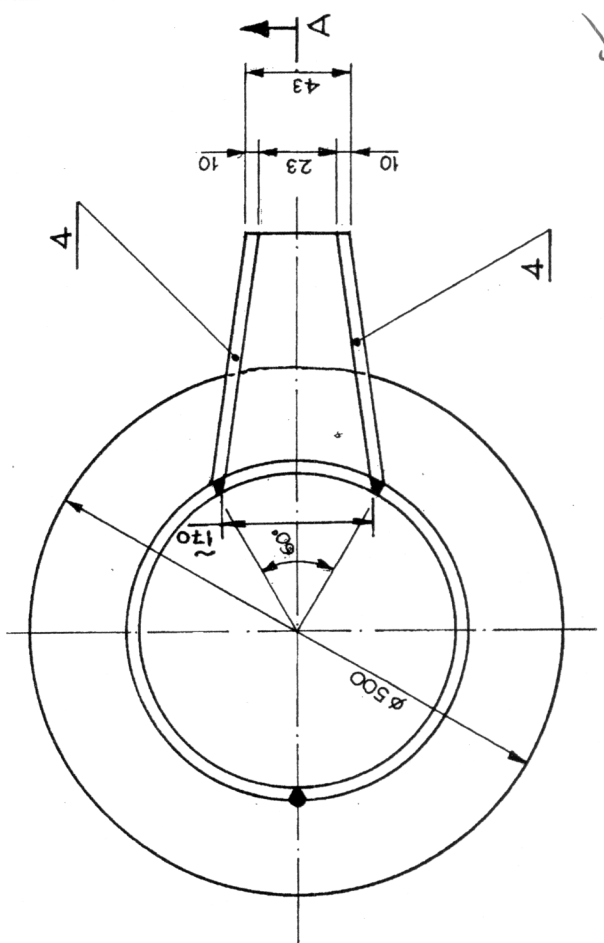


View "B"

NOTE:

1. FOR WELDING USE AWS, E 308 ³⁰⁸ 309-15 ELECTRODES
2. CASTING DRG. No. 1-08-0195.
3. M.S. DESIGN DRG. NO: 1-RS-1200
4. ALL WELDS ~~10~~

REV	DATE	ALTERED	CHECKED	TYPE	GROUP	NAME / SIGNATURE	DATE	RAW MAT DIMENSION	DESCRIPTION	QTY.	DETAILED	DESCRIPTION	MATERIAL CODE	MATERIAL SPECN	NT. WT	GR. WT	DRAWING NO.	
01	included																	
1				PLATE				CUT TO SUIT	PL. 10 X 130 X 130	1		AA: 107 18 13 070			4.3			
2				CHANNEL SIDE PLATE				"	PL. 10 X 15 X 260	2		AA: 107 18 31 070			0.6			
1				FLANGE PLATE				"	PL. 10 X ϕ 340 X ϕ 500	1		AA: 107 18 31 070			0.31			
1				BOTTOM PLATE					PL. 20 X ϕ 300	1		AA: 107 18 31 135			8.2			
1				SIDE PLATE					PL. 20 X 365 X 1005	1		AA: 107 18 31 135			11.1			
												SA: 240			57.0			
												SA: 240			57.5			
REMARKS: CRUCIBLE FURNACE 08 (BABBIT) NEW																		
TOTAL NET WT (KG) 76.0																		
TITLE: BHARAT HEAVY ELECTRICALS LTD. HYDERABHA																		
MATERIAL CODE: CRUCIBLE																		
MATERIAL SPECN: [STAINLESS STEEL]																		
DRAWING NO. 3-RS-6960																		
DRG NO. 3-RS-6960																		
REV. 01																		



DEPT 335

FILE No. 656

SCALE NTS

OLD DRAWING NO.

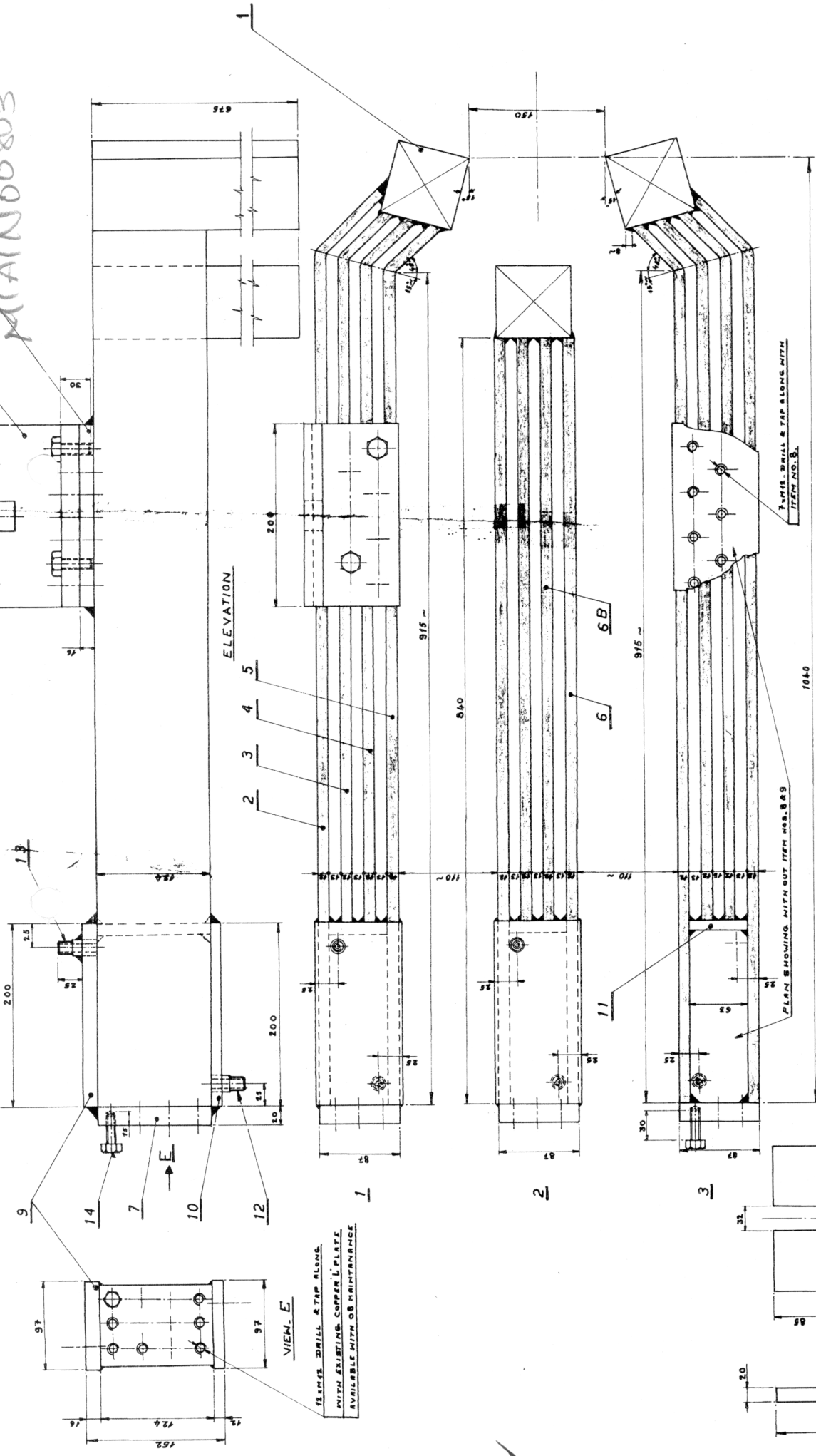
NTS

TD-182 REV-0

CRUCIBLE

[STAINLESS STEEL]

MAIN 00803



ELEVATION

PLAN OF 3 ELECTRODES

2	PLATE	1/2" X 1/2" X 1/8"	10000012	15-316-48	8	6B
2	PLATE	1/2" X 1/2" X 1/8"	10000012	15-316-48	40	6
2	PLATE	1/2" X 1/2" X 1/8"	10000012	15-316-48	140	5
2	PLATE	1/2" X 1/2" X 1/8"	10000012	15-316-48	10	4
2	PLATE	1/2" X 1/2" X 1/8"	10000012	15-316-48	40	3
2	PLATE	1/2" X 1/2" X 1/8"	10000012	15-316-48	13	2
3	ROD	1/2" X 1/2" X 1/8"	10000012	15-316-48	35	1

57	1/2" X 1/2" X 1/8"	10000012	15-316-48	10	11
3	TUBE	1/2" X 1/2" X 1/8"	10000012	15-316-48	10
3	TUBE	1/2" X 1/2" X 1/8"	10000012	15-316-48	10
3	PLATE	1/2" X 1/2" X 1/8"	10000012	15-316-48	10
3	PLATE	1/2" X 1/2" X 1/8"	10000012	15-316-48	10
5	PLATE	1/2" X 1/2" X 1/8"	10000012	15-316-48	10
2	PLATE	1/2" X 1/2" X 1/8"	10000012	15-316-48	10
3	PLATE	1/2" X 1/2" X 1/8"	10000012	15-316-48	10

OB. BLOCK SALT WITH FURNACE

10000012

1-RS-0909

NOTE: ALL WELDS FILLET & R.

DETAIL 14 & 13