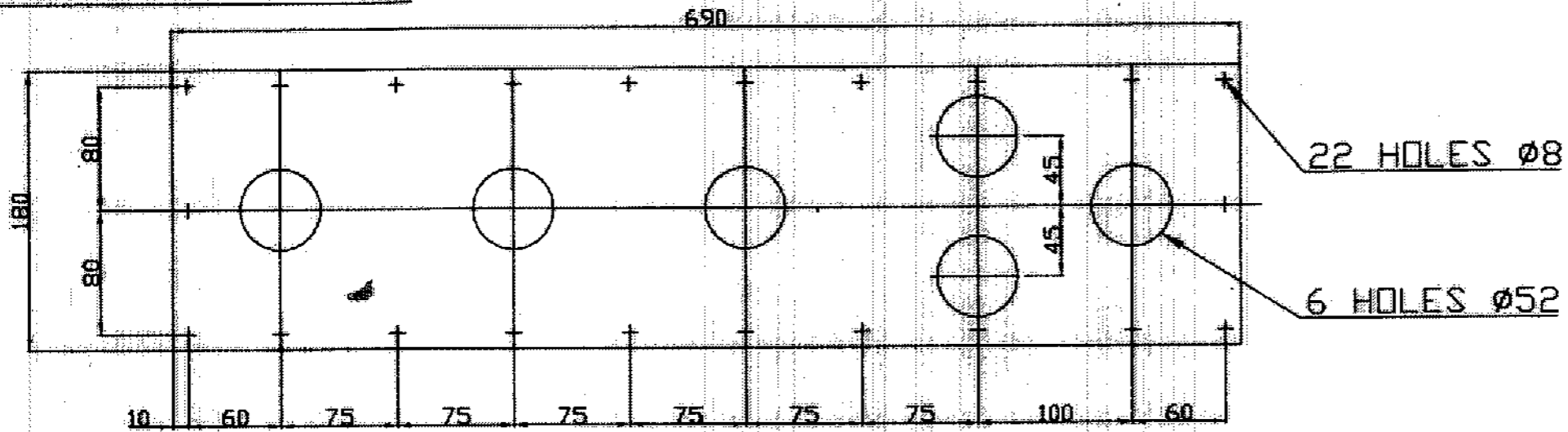


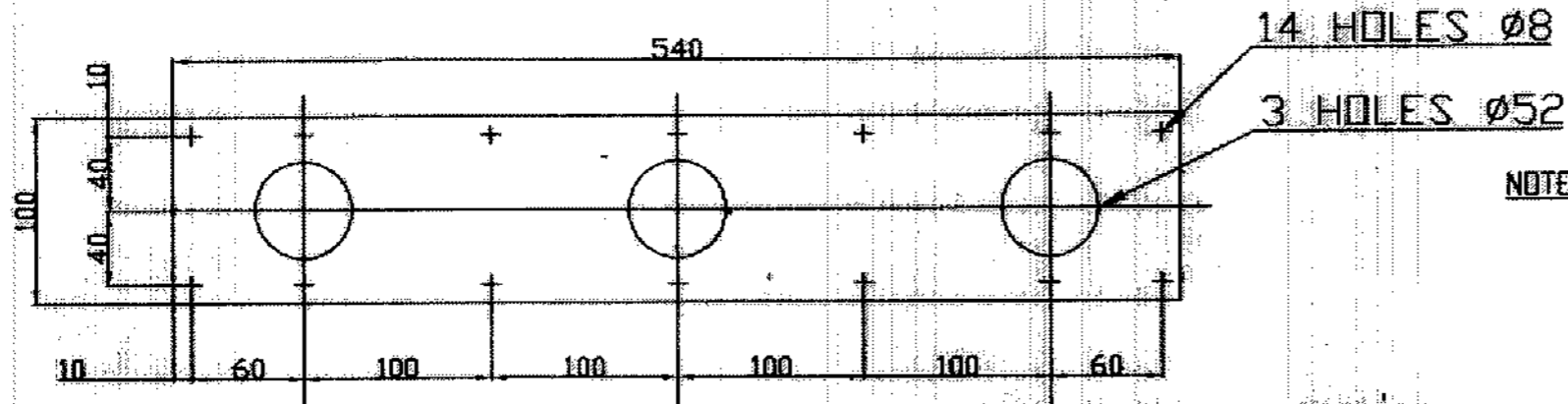
First Angle Projection

All dimensions in mm

DRG. NO. 34731550036



001



002

NOTE: -

ALL NOTES REFER ASSY. DRG. NO. 14731550067

VAR. CD	REMARKS	VAR	ETCH	DESCRIPTION	SS	DRAWING NO.	ET. NO.	MATL. CODE	A	UNIT	UNIT WT.	QTY.
001		002		S.S. GLAND PLATE STR. X 100 X 540 LG.				AA1071840010			1.944	
								AA10740				
001		001		S.S. GLAND PLATE STR. X 180 X 690 LG.				AA1071840010			4.535	
								AA10740				

ADDITIONAL INFORMATION  
 WD. - 70594T10700  
 STATUS OF DRAWING

TYPE OF PRODUCT OR 600 KVA, 600/415 VAC DRY TYPE CAST  
 NAME OF CUSTOMER/PROJECT RESIN TRANSFORMER  
 M/S - BHEL BHOPAL

NO.	PC	NO.	NO.	NO.	NO.	NO.	NO.	NO.	NO.
1	1		2						0

NAME	SIGN	DATE	NO. OF VAR.
SSV		19/11/2012	
MSH1		19/11/2012	
SSY1		22/11/2012	

SIGN AND DATE

REV	DATE	ALTERED	REV	DATE	ALTERED
		CHECKED			CHECKED
		APPROVED			APPROVED

REV	DATE	ALTERED
01	22/11/2012	CHECKED SSV
		CHECKED MSH1
		APPROVED SSV1

DEPT-TRE	UN. TEL. BIK. C/N/F	SCALE	WEIGHT (KGS)	REF. TO ASSY. NO.	ITEM NO.	NO. OF ITEM
CODE-406				14731550067		

TITLE	DRAWING NO.	REV.
CABLE GLAND PLATE S.S	34731550036	01





