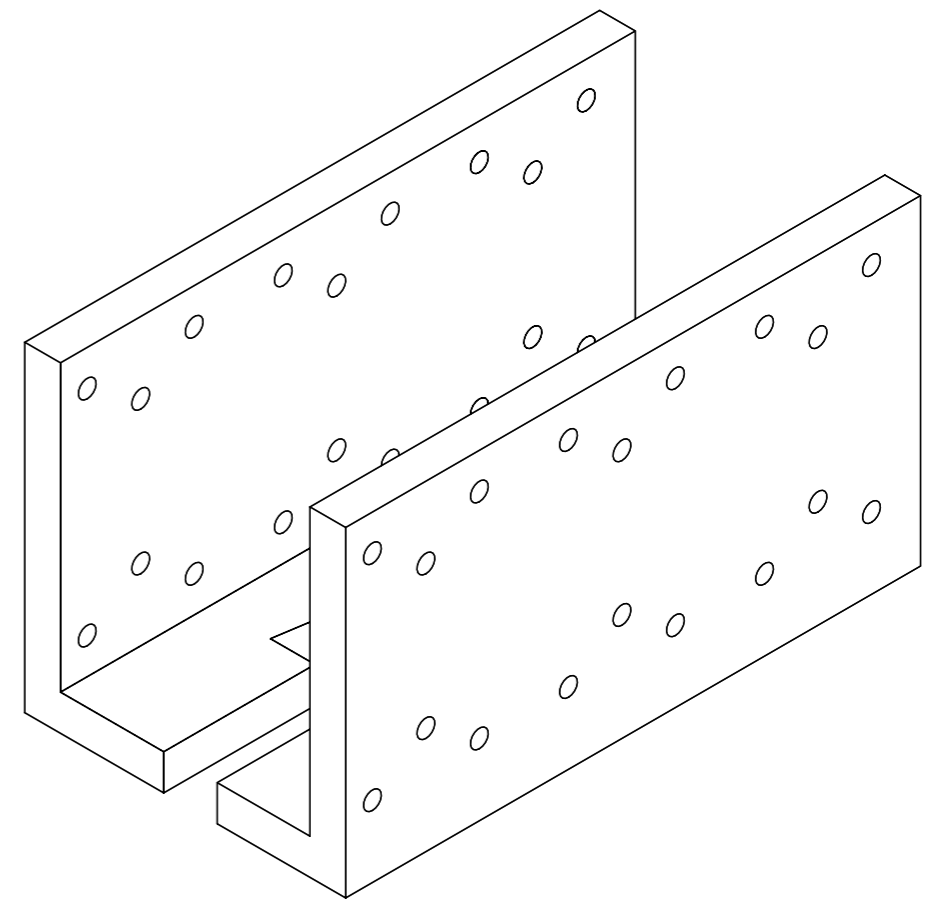
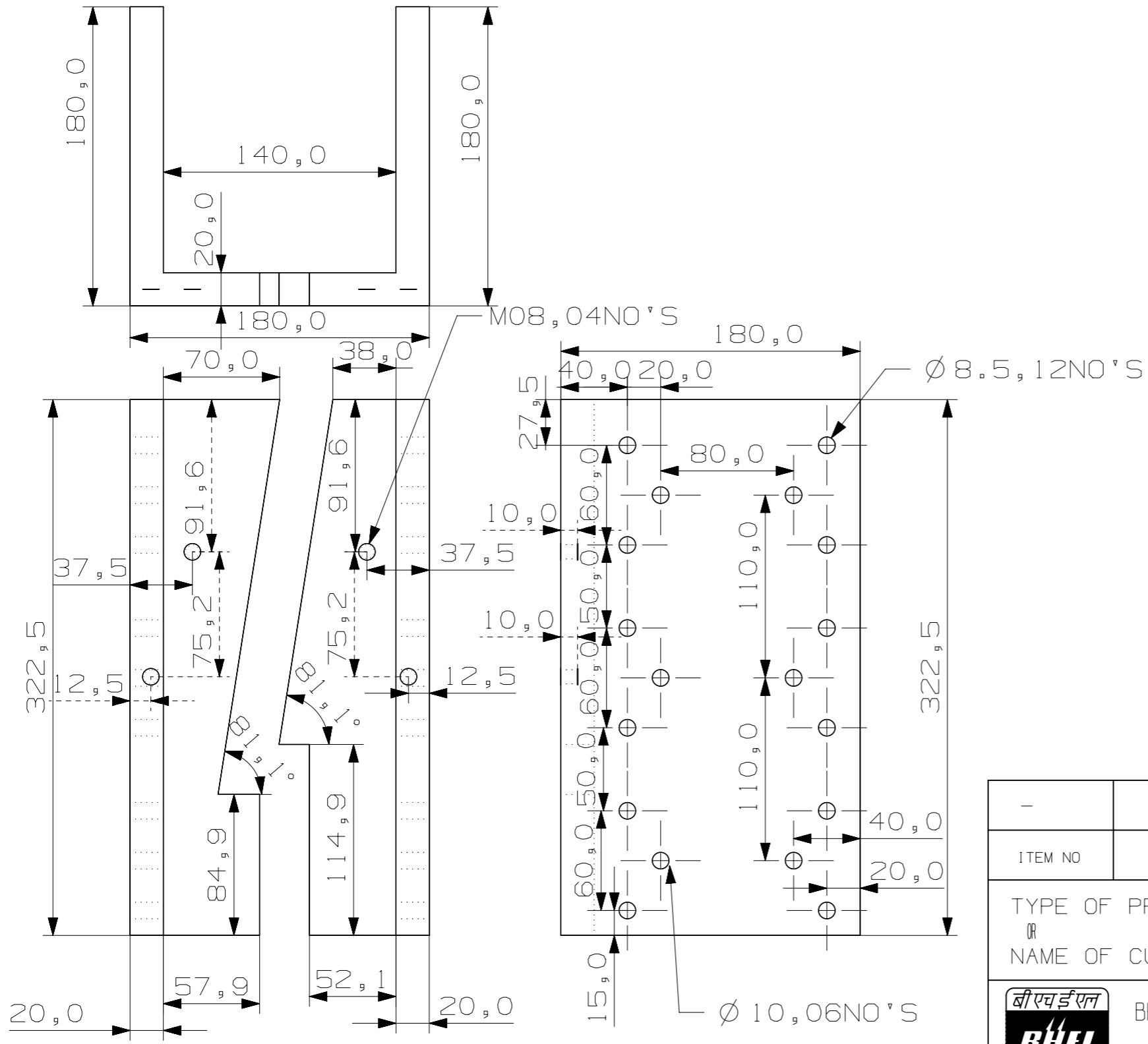


INVENTORY NO. SIGN. AND DATE REF. DRG. NO. THE INFORMATION ON THIS DOCUMENT IS THE PROPERTY OF BHARAT HEAVY ELECTRICALS LIMITED. IT MUST NOT BE USED DIRECTLY OR INDIRECTLY IN ANY WAY DETRIMENTAL TO THE INTEREST OF THE COMPANY



FIRST ANGLE PROJECTION

(ALL DIMENSIONS ARE IN mm)

DRG. NO. 02/01/39/2015

ITEM NO	DESCRIPTION	DRAWING NO.	MATL CODE.	UNIT WT
			MATL. SPEN.	QTY

TYPE OF PRODUCT  
OR  
NAME OF CUSTOMER/PROJECT

	BHARAT HEAVY ELECTRICALS LTD. CORPORATE R&D	DRN.	NAME RAVINDER	SIGN.	DATE 12.10.15	NO.OF VAR.
		CHD.	NSSK		12.10.15	NA
		APPD.	G MADHAVULU		12.10.15	

REV.	DATE	ALTERED	CHECKED	APPD

DEPT. TDL	GRADE OF TOL.DIM. E/M/f		SCALE 1:3	WEIGHT (KG) NA	REF. TO ASSY DRG.	ITEM NO. NA	NO.OF ITEMS NA
-----------	-------------------------	--	-----------	----------------	-------------------	-------------	----------------

TITLE DIE SIDE PLATES FOR FR05-STG02 GT CUTTER TEETH BUCKET MODEL	CARD CODE NA	DRAWING NO. 02/01/39/2015	REV. NA
SHEET No. 1		NO OF SHEETS 1	