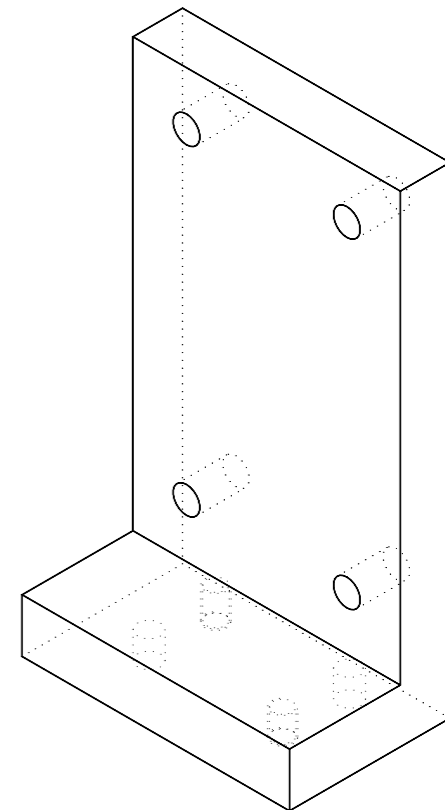
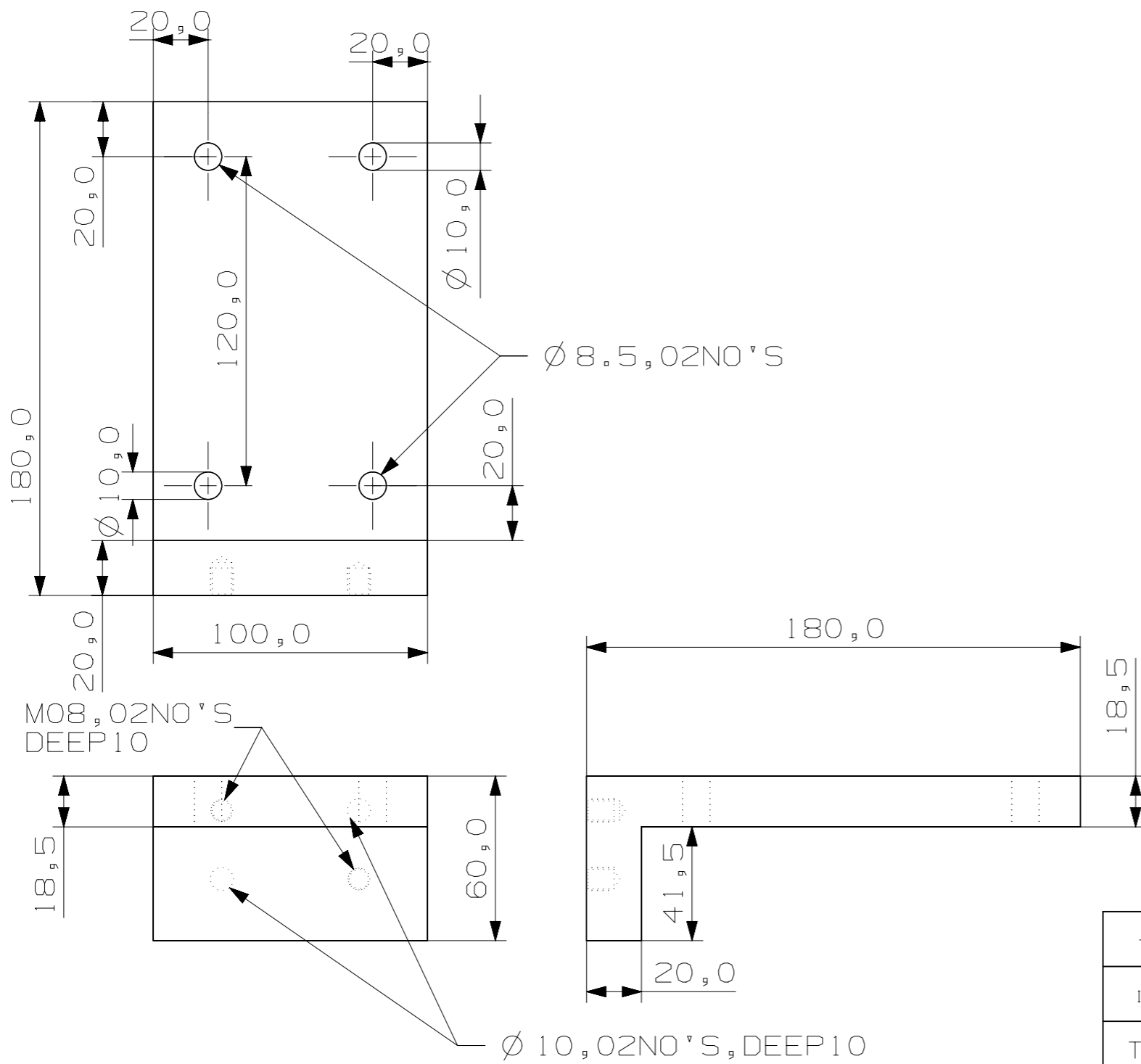


INVENTORY NO. SIGN. AND DATE REF. DRG. NO. THE INFORMATION ON THIS DOCUMENT IS THE PROPERTY OF BHARAT HEAVY ELECTRICALS LIMITED. IT MUST NOT BE USED DIRECTLY OR INDIRECTLY IN ANY WAY DETRIMENTAL TO THE INTEREST OF THE COMPANY

DRG. NO. 04/01/39/2015



-	-	-	-	-
ITEM NO	DESCRIPTION	DRAWING NO.	MATL. SPEN.	UNIT WT
				QTY

TYPE OF PRODUCT
OR
NAME OF CUSTOMER/PROJECT

	BHARAT HEAVY ELECTRICALS LTD. HYDERABAD	DRN.	NAME RAVINDER	SIGN.	DATE 12.10.15	NO.OF VAR.
		CHD.	NSSK		12.10.15	NA
		APPD.	G MADHAVULU		12.10.15	

REV.	DATE	ALTERED	CHECKED	APPD
ZONE				

DEPT. TDL	GRADE OF TOL.DIM. E/M/f		SCALE NTS	WEIGHT (KG) NA	REF. TO ASSY DRG.	ITEM NO. NA	NO.OF ITEMS NA
TITLE SCHEMATIC DIAGRAM OF LOCKING PLATE 2 (FR05-STG02 GT CUTTER BUCKET DIE)					CARD CODE NA	DRAWING NO. 04/01/39/2015	
					SHEET No. 1		NO OF SHEETS 1