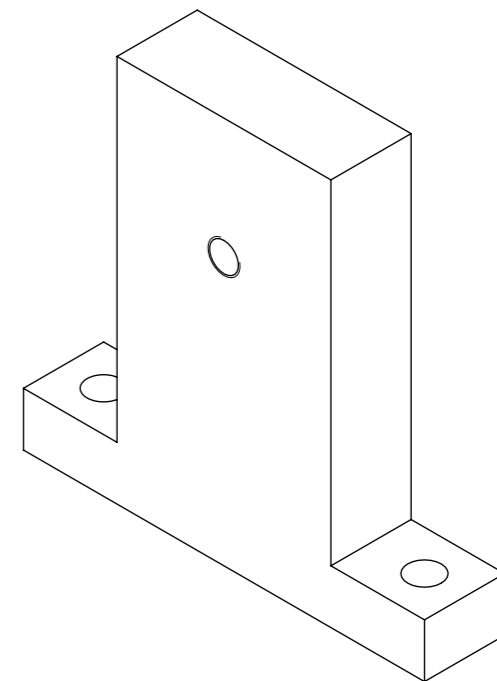
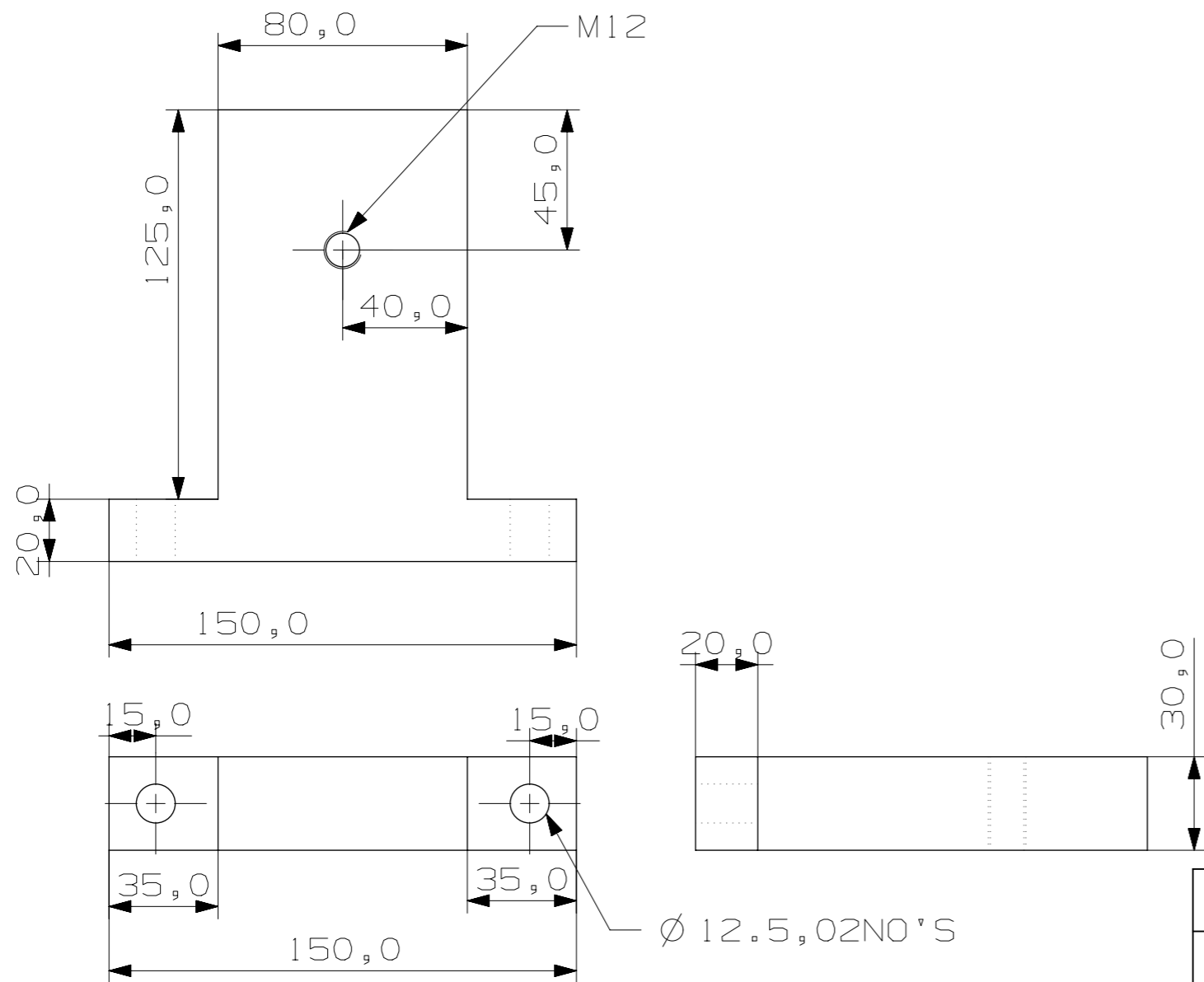


INVENTORY NO. SIGN. AND DATE REF. DRG. NO. THE INFORMATION ON THIS DOCUMENT IS THE PROPERTY OF BHARAT HEAVY ELECTRICALS LIMITED. IT MUST NOT BE USED DIRECTLY OR INDIRECTLY IN ANY WAY DETRIMENTAL TO THE INTEREST OF THE COMPANY

DRG. NO. 05/01/39/2015



-	-	-	-	-
ITEM NO	DESCRIPTION	DRAWING NO.	MATL. SPEN.	UNIT WT
			MATL. CODE.	QTY

TYPE OF PRODUCT
OR
NAME OF CUSTOMER/PROJECT

	BHARAT HEAVY ELECTRICALS LTD. CORPORATE R&D	DRN.	NAME	SIGN.	DATE	NO. OF
		CHD.	RAVINDER		12.10.15	VAR.
		APPD.	NSSK		12.10.15	NA
			G MADHAVULU		12.10.15	

REV.	DATE	ALTERED	CHECKED	APPD	DEPT.	GRADE OF	SCALE	WEIGHT (KG)	REF. TO ASSY DRG.	ITEM	NO. OF
					TDL	TOL. DIM.		NA		NO.	ITEMS
					39	E/M/f	1:2			NA	NA

TITLE SCHEMATIC DIAGRAM OF
LOCKING PLATE 1
(FR05-STG02 CUTTER TEETH GT DIE)

CARD CODE NA

DRAWING NO. 05/01/39/2015

SHEET No. 1 NO OF SHEETS 1