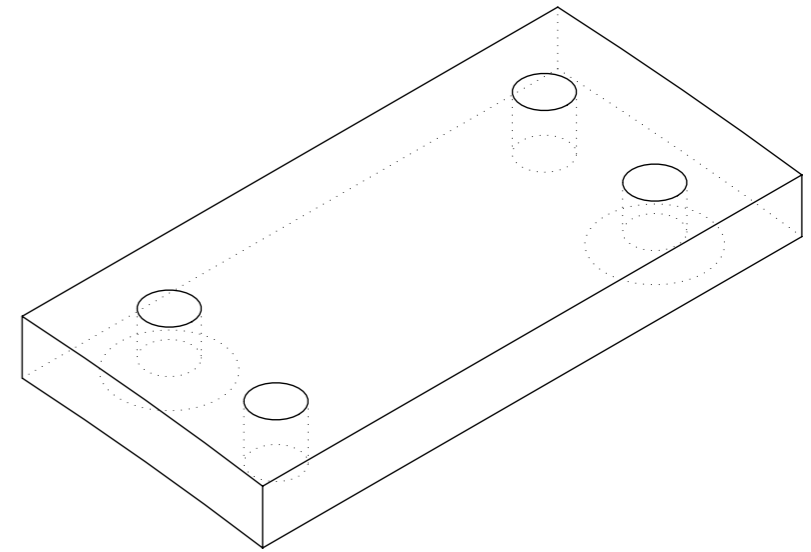
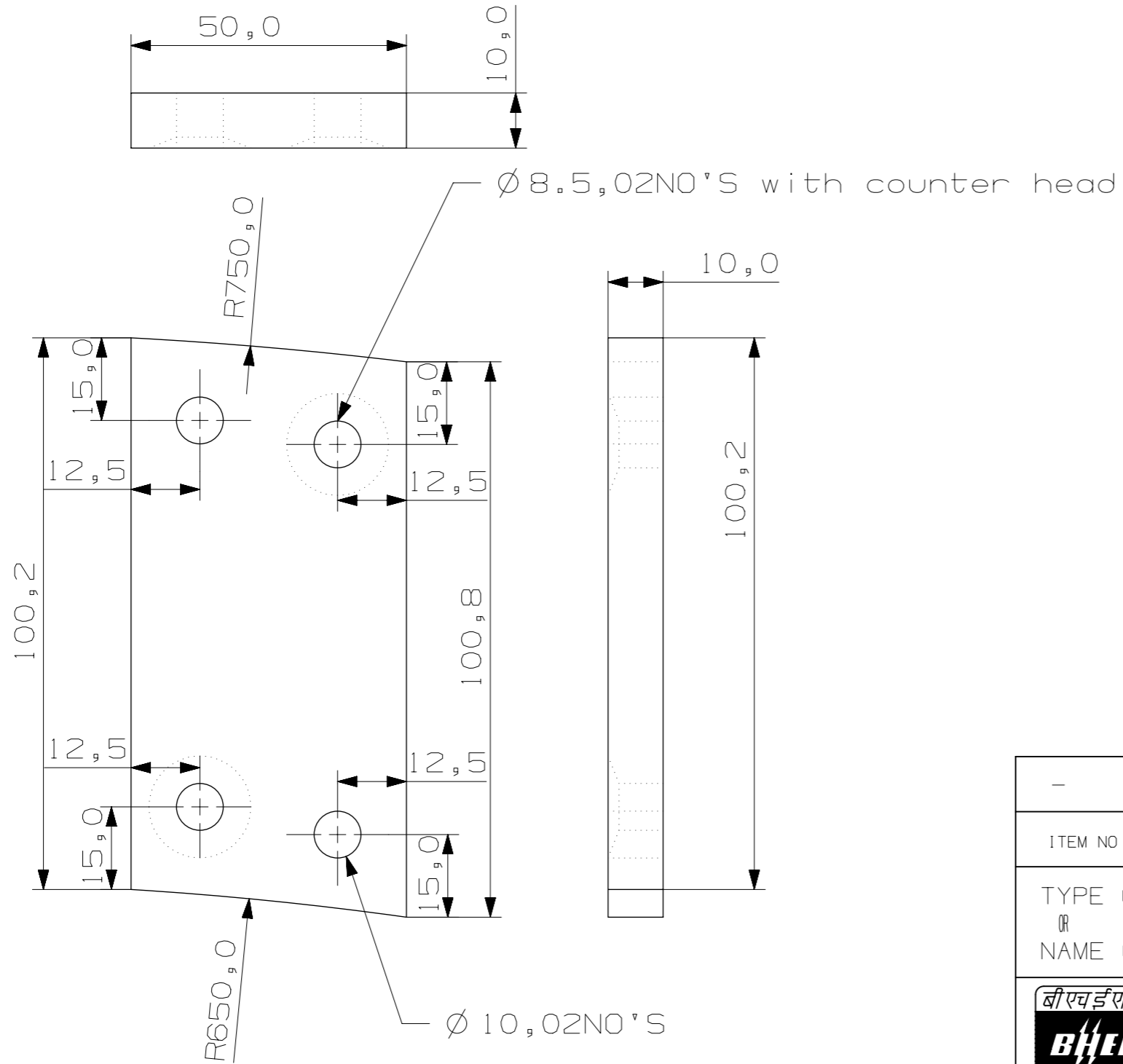


INVENTORY NO. SIGN. AND DATE REF. DRG. NO. THE INFORMATION ON THIS DOCUMENT IS THE PROPERTY OF BHARAT HEAVY ELECTRICALS LIMITED. IT MUST NOT BE USED DIRECTLY OR INDIRECTLY IN ANY WAY DETRIMENTAL TO THE INTEREST OF THE COMPANY

DRG. NO. 07/01/39/2015

FIRST ANGLE PROJECTION

(ALL DIMENSIONS ARE IN mm)



-	-	-	-	EME
ITEM NO	DESCRIPTION	DRAWING NO.	MATL CODE.	UNIT WT
			MATL. SPEN.	QTY

TYPE OF PRODUCT
OR
NAME OF CUSTOMER/PROJECT

	BHARAT HEAVY ELECTRICALS LTD. CORPORATE R&D	DRN.	NAME RAVINDER	SIGN.	DATE 12.10.15	NO. OF VAR.
		CHD.			12.10.15	NA
		APPD.			12.10.15	

REV.	DATE	ALTERED	CHECKED	APPD

DEPT. TDL	GRADE OF TOL. DIM. $\frac{L}{M}/f$		SCALE 1:1	WEIGHT (KG) NA	REF. TO ASSY DRG.	ITEM NO. NA	NO. OF ITEMS NA
-----------	------------------------------------	--	-----------	----------------	-------------------	-------------	-----------------

TITLE	CARD CODE	DRAWING NO.	REV.
SCHMATIC DIAGRAM OF RIGHT SIDE BOTTOM PLATE OF GT CUTTER TEETH BUCKET	NA	07/01/39/2015	NA
SHEET No. 1		NO OF SHEETS 1	