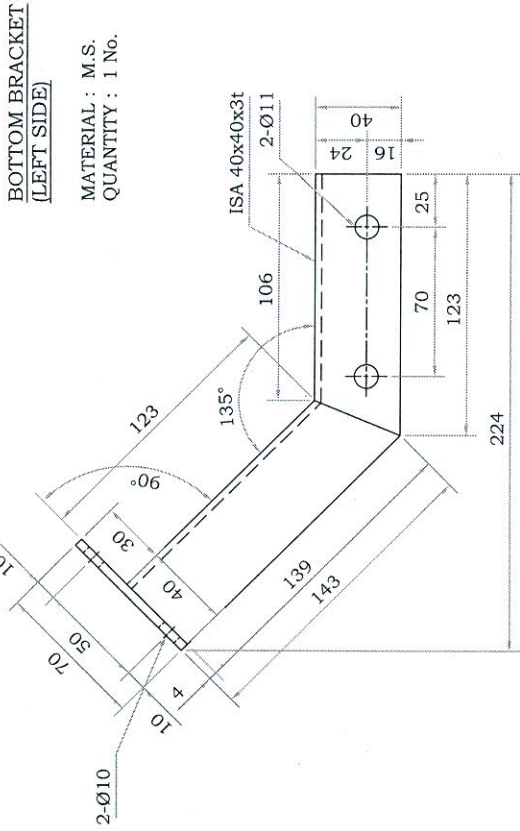


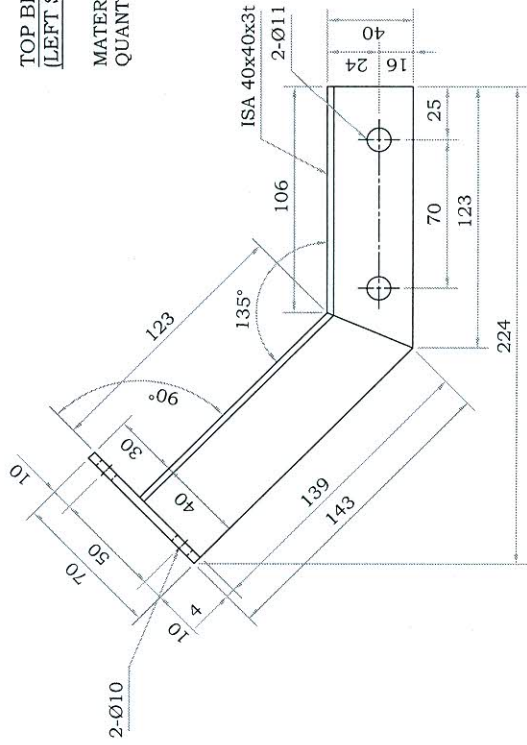
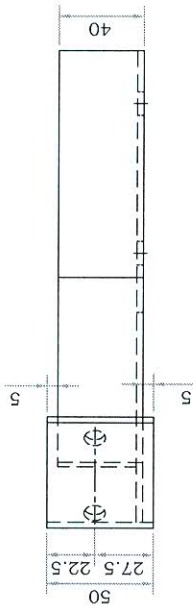
10-41-29-ZLS-01-3

First Angle Projection



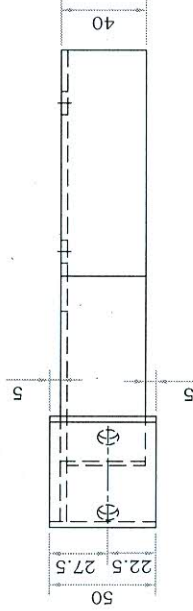
**BOTTOM BRACKET**  
**(LEFT SIDE)**

MATERIAL : M.S.  
QUANTITY : 1 No.



**TOP BRACKET**  
**(LEFT SIDE)**

MATERIAL : M.S.  
QUANTITY : 1 No.



**NOTES :**

1. MATERIAL SHALL BE STRAIGHTENED BEFORE FABRICATION.
2. ALL JOINTS ARE TO BE WELDED UNLESS OTHERWISE SPECIFIED.
3. SHARP CORNERS/BURRS SHALL BE REMOVED/SMOOTHENED.
4. MATERIAL SHALL BE HOT DIP GALVANIZED.

ITEM No.	DESCRIPTION	DRAWING No.	MTL. SPCN. MTL. CODE	QTY.	UNIT WT. (Kg.)
<p>TYPE OF PRODUCT OR NAME OF THE CUSTOMER/ PROJECT</p> <p><b>Field Demonstration of 100 kWp SPV System with Solar Thermal Sun Trackers</b></p>					
<p>DEPT. FOR CODE: 62</p>		<p>NAME: KVPR RAO</p> <p>CHKD: SURYA ASP</p> <p>APPRD: M R PAWAR</p>		<p>DATE:</p>	
<p>MATERIAL: M.S.</p>		<p>SCALE: NTS</p>		<p>REF. TO ASSY. DRG. 3-13-572-62-14-00</p>	
<p>TOTAL WT. (Kg.):</p>		<p>ITEM No.:</p>		<p>No. OF ITEM:</p>	
<p>TITLE: <b>BOTTOM AND TOP BRACKET (LEFT SIDE)</b> (2.7 kWp POLAR AXIS PASSIVE TRACKER)</p>					
<p>DRAWING No. 3-13-572-62-14-01</p>				<p>REV. 0</p>	
<p>SHEET No.</p>				<p>No. OF SHEETS</p>	

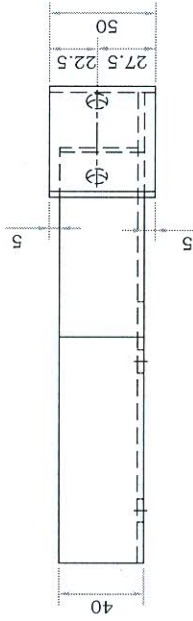
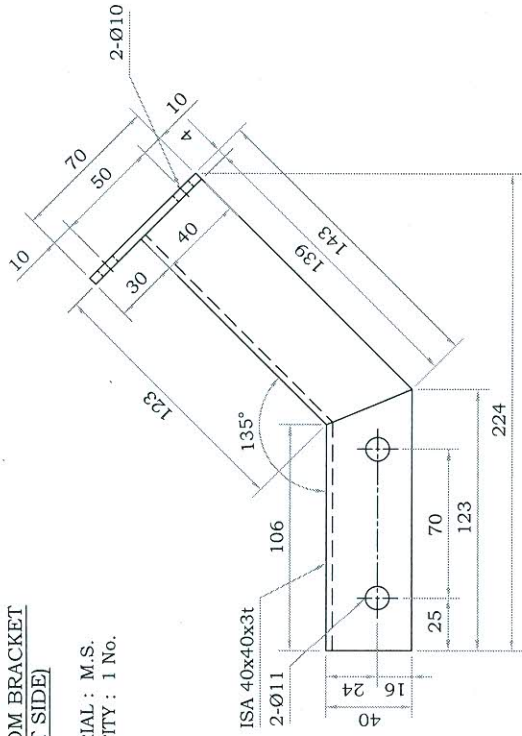
All dimensions are in MM

10-SI-79-7LS-81-8

First Angle Projection

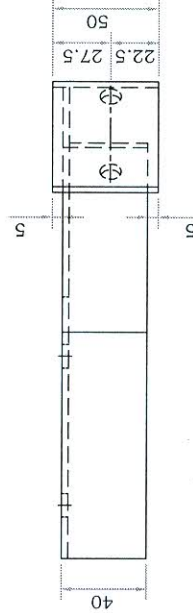
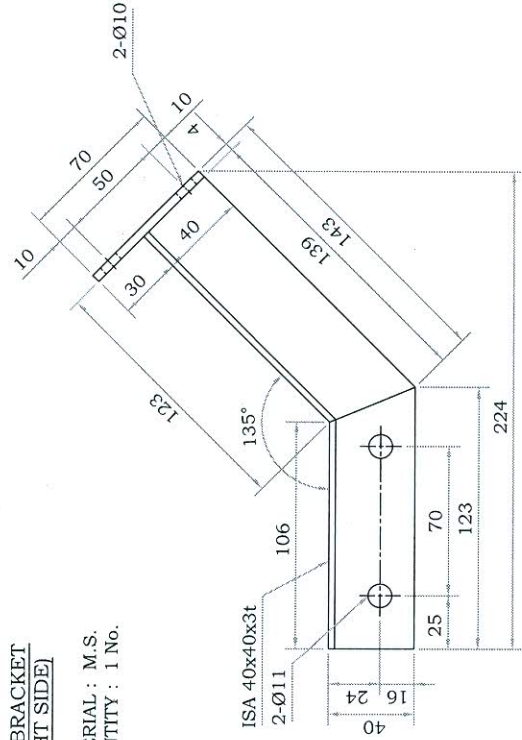
**BOTTOM BRACKET**  
**(RIGHT SIDE)**

MATERIAL : M.S.  
QUANTITY : 1 No.



**TOP BRACKET**  
**(RIGHT SIDE)**

MATERIAL : M.S.  
QUANTITY : 1 No.



The information on this document is the property of BHARAT HEAVY ELECTRICALS LIMITED. It must not be used directly or indirectly in any way detrimental to the interest of the company.

ITEM No.	DESCRIPTION	DRAWING No.	MTL. SPCH.	QTY.	UNIT WT. (kg.)
<p>TYPE OF PRODUCT OR NAME OF THE CUSTOMER/ PROJECT</p> <p><b>Field Demonstration of 100 kWp SPV System with Solar Thermal Sun Trackers</b></p>					
<p>NAME: KVPR RAO</p> <p>DRN: SURYA ASP</p> <p>CHK: SURYA ASP</p> <p>APPR: M R PAWAR</p> <p>SIGN: _____</p> <p>DATE: _____</p> <p>NO. OF VAR: _____</p>					
<p>BHARAT HEAVY ELECTRICALS LTD.</p> <p>CORPORATE RESEARCH AND DEVELOPMENT</p> <p>SCALE: NTS</p> <p>TOTAL WT. (kg): 3-13-572-62-15-00</p> <p>REF. TO ASSY. DRG.:</p>					
<p>DEPT CODE: 62</p> <p>MATERIAL: M.S.</p> <p>FCR: 62</p> <p>NTS</p> <p>3-13-572-62-15-00</p> <p>ITEM No.:</p> <p>NO. OF ITEM:</p>					
<p>TITLE: <b>BOTTOM AND TOP BRACKET (RIGHT SIDE)</b> <b>(2.7 kWp POLAR AXIS PASSIVE TRACKER)</b></p> <p>DRAWING No.:</p> <p><b>3-13-572-62-15-01</b></p> <p>REV: <b>0</b></p> <p>SHT. No.:</p> <p>No. OF SHTS.:</p>					

**NOTES :**

1. MATERIAL SHALL BE STRAIGHTENED BEFORE FABRICATION.
2. ALL JOINTS ARE TO BE WELDED UNLESS OTHERWISE SPECIFIED.
3. SHARP CORNERS/BURRS SHALL BE REMOVED/SMOOTHENED.
4. MATERIAL SHALL BE HOT DIP GALVANIZED.