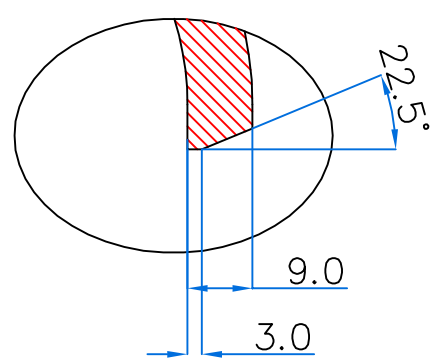
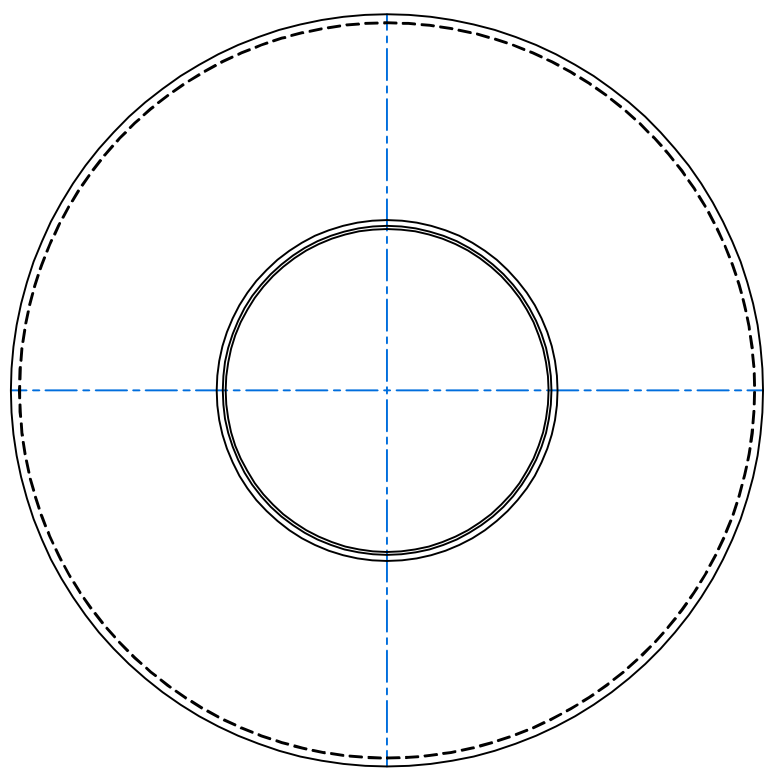
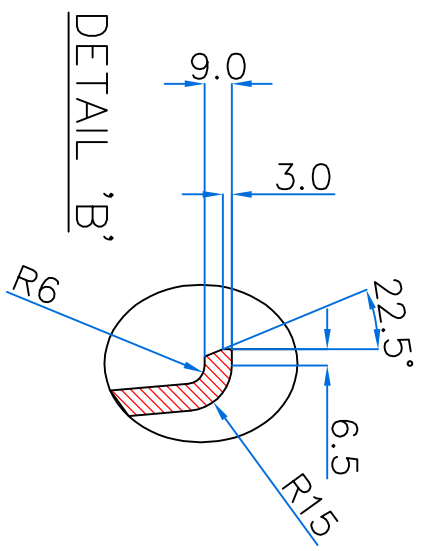
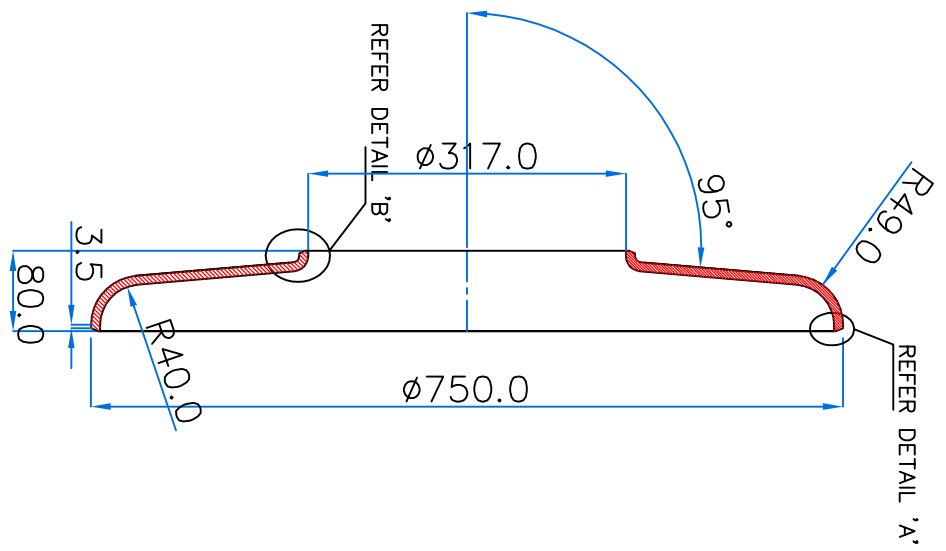


THE INFORMATION ON THIS DOCUMENT IS THE PROPERTY OF BHARAT HEAVY ELECTRICALS LIMITED. IT MUST NOT BE USED DIRECTLY OR INDIRECTLY IN ANY WAY DETRIMENTAL TO THE INTEREST OF THE COMPANY.

INVENTORY NO. SIGN. AND DATE REF. DRG. NO.



REV.	DATE	ALTERED	REV.	DATE	ALTERED
ZONE		CHECKED	ZONE		CHECKED

29/05/14

BHARAT HEAVY ELECTRICALS LTD.
HYDERABAD

GSM-420

TYPE OF PRODUCT: REDUCER 1

NAME OF CUSTOMER: GSM-420

DEPT. CODE	GRADE OF TOL DIM C/M/F	SCALE	WEIGHT(KG)
	NTS		35.0

DRN	NAME	SIGN.	DATE	NO. OF VAK.
APPD	MMPRAO		03.11.14	01

REF. TO	NO. OF SHEETS
RD DG 4 35 0617 0212	1

VAR. NO.	REMARKS	VAR. NO.	ITEM NO.	SHEET	DESCRIPTION	STD	DRAWING NO.	VAR.	MATL. SPECN.	UNIT WT.	QTY.	ZONE
			01						SS-304L	01		