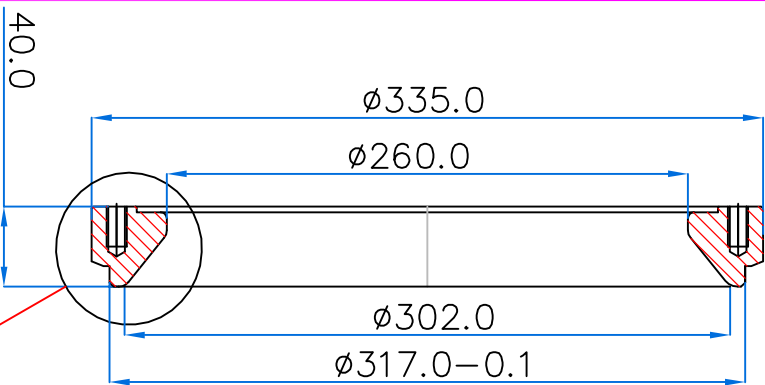
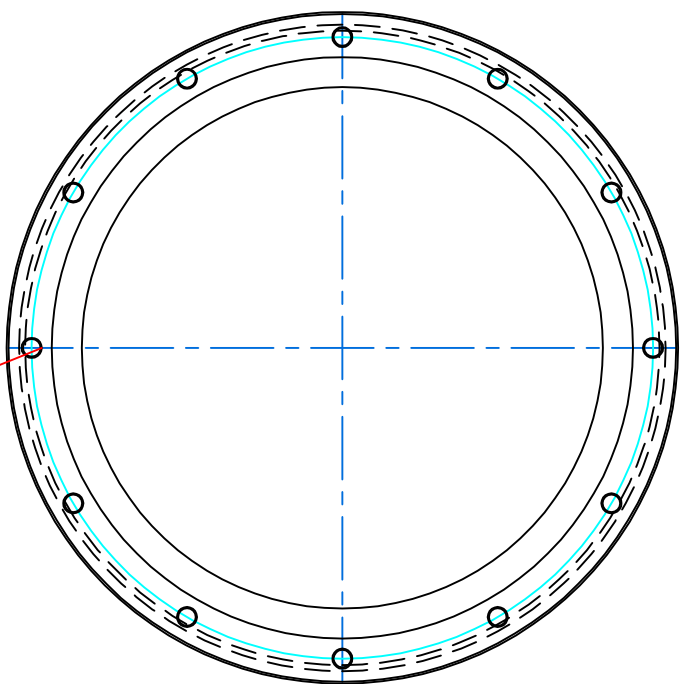


THE INFORMATION ON THIS DOCUMENT IS THE PROPERTY OF BHARAT HEAVY ELECTRICALS LIMITED.
IT MUST NOT BE USED DIRECTLY OR INDIRECTLY IN ANY WAY DETRIMENTAL TO THE INTEREST OF THE COMPANY.

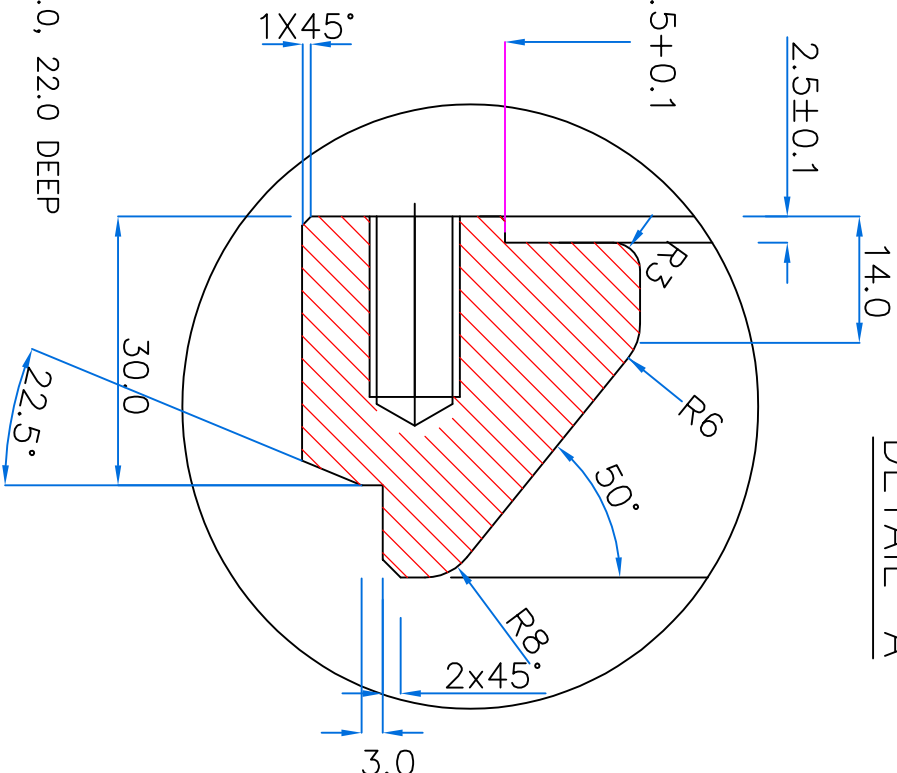
INVENTORY NO. | SIGN. AND DATE | REF. DRG. NO.



REFER DETAIL 'A'



12 No., M10 TAPS @ 310.0, 22.0 DEEP



DETAIL 'A'

VAR. NO.	ITEM NO.	DESCRIPTION	QTY.	UNIT	ZONE
01	FLANGE	Ø340.0x45.0	35.0	01	

29/05/14

GSM-420

REV.	DATE	ALTERED	REV.	DATE	ALTERED
ZONE		CHECKED	ZONE		CHECKED

DEPT.	GRADE OF	SCALE	WEIGHT(KG)
	TOL. DIM	NTS	11.0
	C/M/F		

TITLE	CARD CODE
FLANGE II	RD DG 4 35 0617 0212B

TYPE OF PRODUCT	NAME OF CUSTOMER
	BHARAT HEAVY ELECTRICALS LTD.

DRN	NAME	SIGN.	DATE	NO. OF
01	MMRAO		03.11.14	VAR.
APPD	MMRAO		03.11.14	

REF. TO	NO. OF
RD DG 4 35 0617 0212	ITEMS

DRAWING NO.	NO. OF SHEETS
RD DG 4 35 0617 0212B	1

ALL SHARP EDGES SHALL BE MACHINED TO 0.4x45°