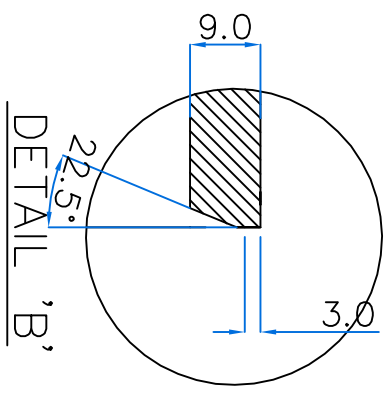
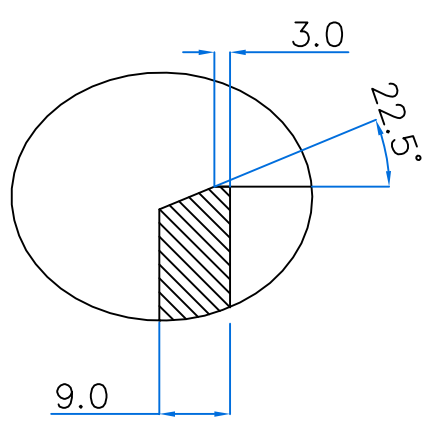
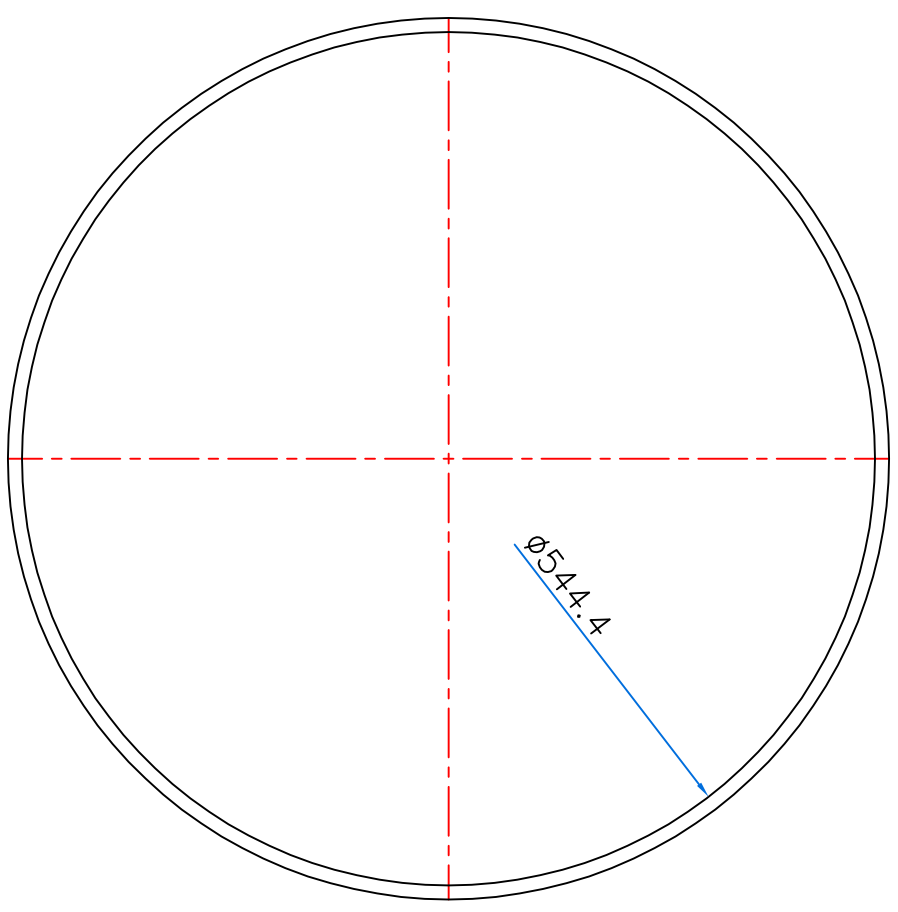
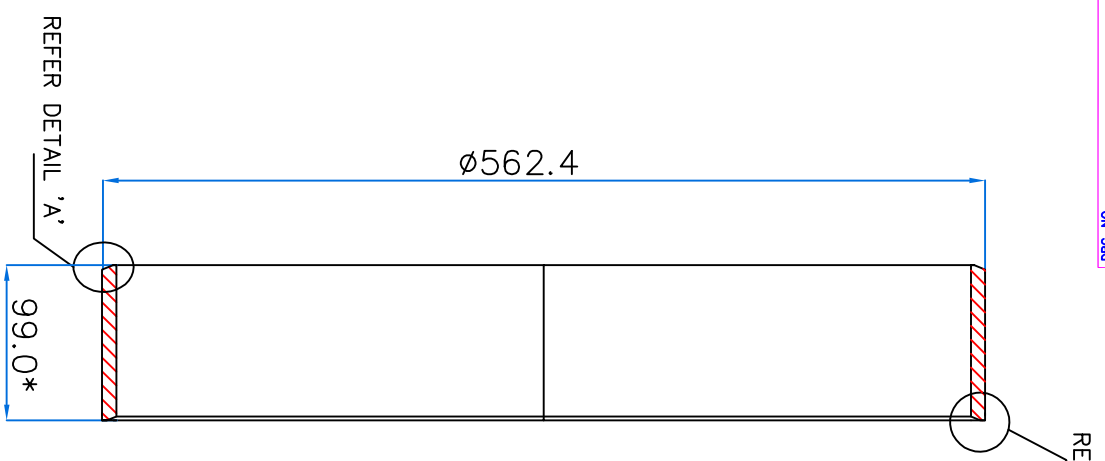


THE INFORMATION ON THIS DOCUMENT IS THE PROPERTY OF BHARAT HEAVY ELECTRICALS LIMITED. IT MUST NOT BE USED DIRECTLY OR INDIRECTLY IN ANY WAY DETRIMENTAL TO THE INTEREST OF THE COMPANY.

INVENTORY NO. SIGN. AND DATE REF. DRG. NO.



* LENGTH SHALL BE CHANGED TO SUIT TO FLANGE TO FLANGE DISTANCE 1100 mm

VAR. NO.	REMARKS	VAR. ITEM NO.	01	PIPE	SS-304L	01	ZONE
STD	DRAWING NO.	ITEM NO.					
		MATL. CODE					
		MATL. SPECN.					

TYPE OF PRODUCT
NAME OF CUSTOMER
GSM-420

DEPT.	GRADE OF TOL. DIM.	SCALE	WEIGHT(KG)	DRN.	NAME	SIGN.	DATE	NO. OF VRS.
		NTS	10.0	APPD.	MMRAO		03.11.14	01
				REF. TO				
				DRAWING NO.				
				RD DG 4 35 0617 0214				
				SHEET NO.				
				RD DG 4 35 0617 0214A				
				NO. OF SHEETS				
				1				

REV.	DATE	ALTERED	REV.	DATE	ALTERED	CARD CODE
ZONE		CHECKED	ZONE		CHECKED	RD DG 4 35 0617 0214A
						NO. OF SHEETS
						1

29/05/14

EXTENSION-1