

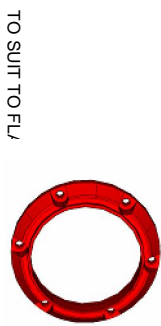
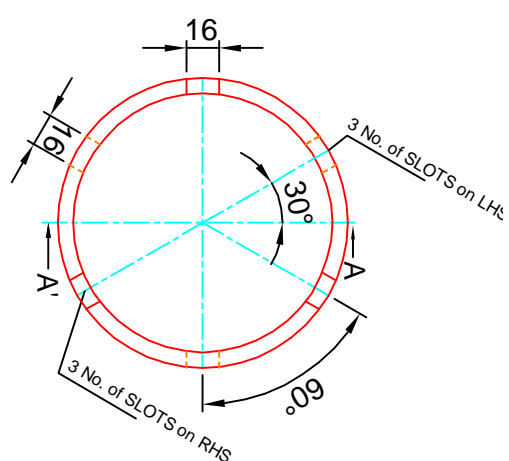
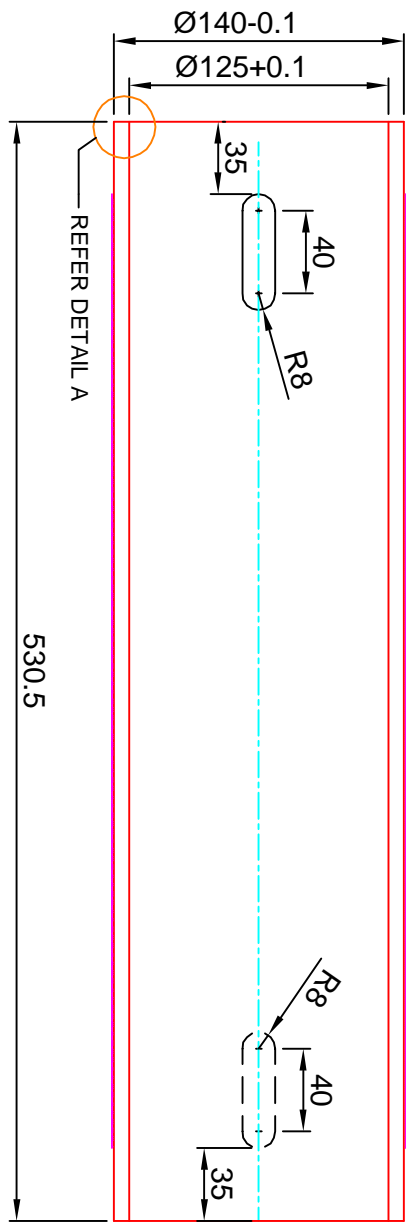
INVENTORY NO.	SIGN. AND DATE	REF. DRG. NO.
---------------	----------------	---------------

1119 RD DG 4 35 0520 6111
DRG. NO.

FIRST ANGLE PROJECTION

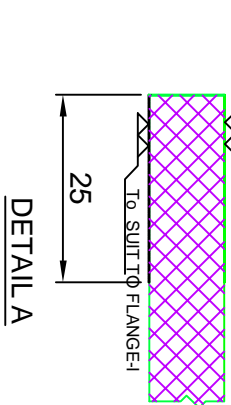
(ALL DIMENSIONS ARE IN mm)

(-3.2)



NOTE:-

THROUGHOUT CIRCUMFERENCE GROUND TO SIZE AS SHOWN



VAR. NO.	REMARKS	VAR. NO.	ITEM NO.	01	TUBE	Ø140.0 X 530.5x7.5 THK	ARAMID POLYESTER KEMULAB FIBER	06
								8

TYPE OF PRODUCT		NAME OF CUSTOMER		GSM 245	
INSULATING TUBE		BHARAT HEAVY ELECTRICALS LTD.		HYDERABAD	

DEPT. CODE	SCALE	WEIGHT(KG)	DRAWING NO.	VAR.	ITEM NO.	UNIT WGT.	QTY.
G56	NTS						

REV.	DATE	ALTERED	REV.	DATE	ALTERED
		CHECKED			CHECKED
ZONE			ZONE		

DRN	NAME	SIGN.	DATE	NO. OF
AS	RS		13.09.14	VAR.
APPD	MM	RD	22.09.14	
REF. TO				
RD DG 4 35 0520 6110				
REV.	NO.	REV.	NO.	REV.
RD DG 4 35 0520 6111	1	01	1	01

SHEET NO.	NO. OF SHEETS
RD DG 4 35 0520 6111	0