

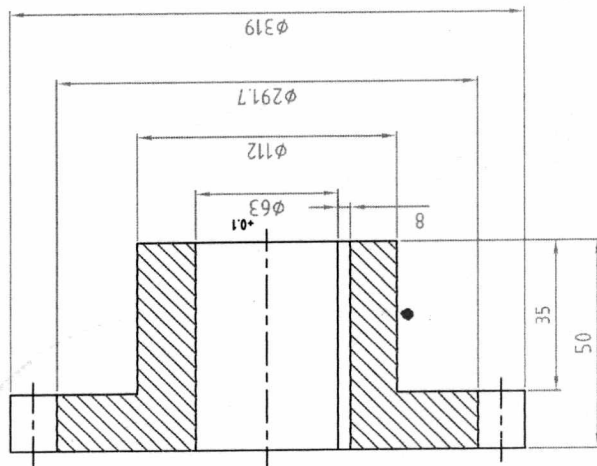
NOTE:-

1. ALL DIMENSIONS ARE IN MM
2. SCALE - N.T.S.
3. MATERIAL - C45 (WELDING BOSS), HARDENED

1-PITCH DIA = 12.110(INCH)
= 307.6(MM)

2-OUTER DIA = 12.559(INCH)
= 319(MM)

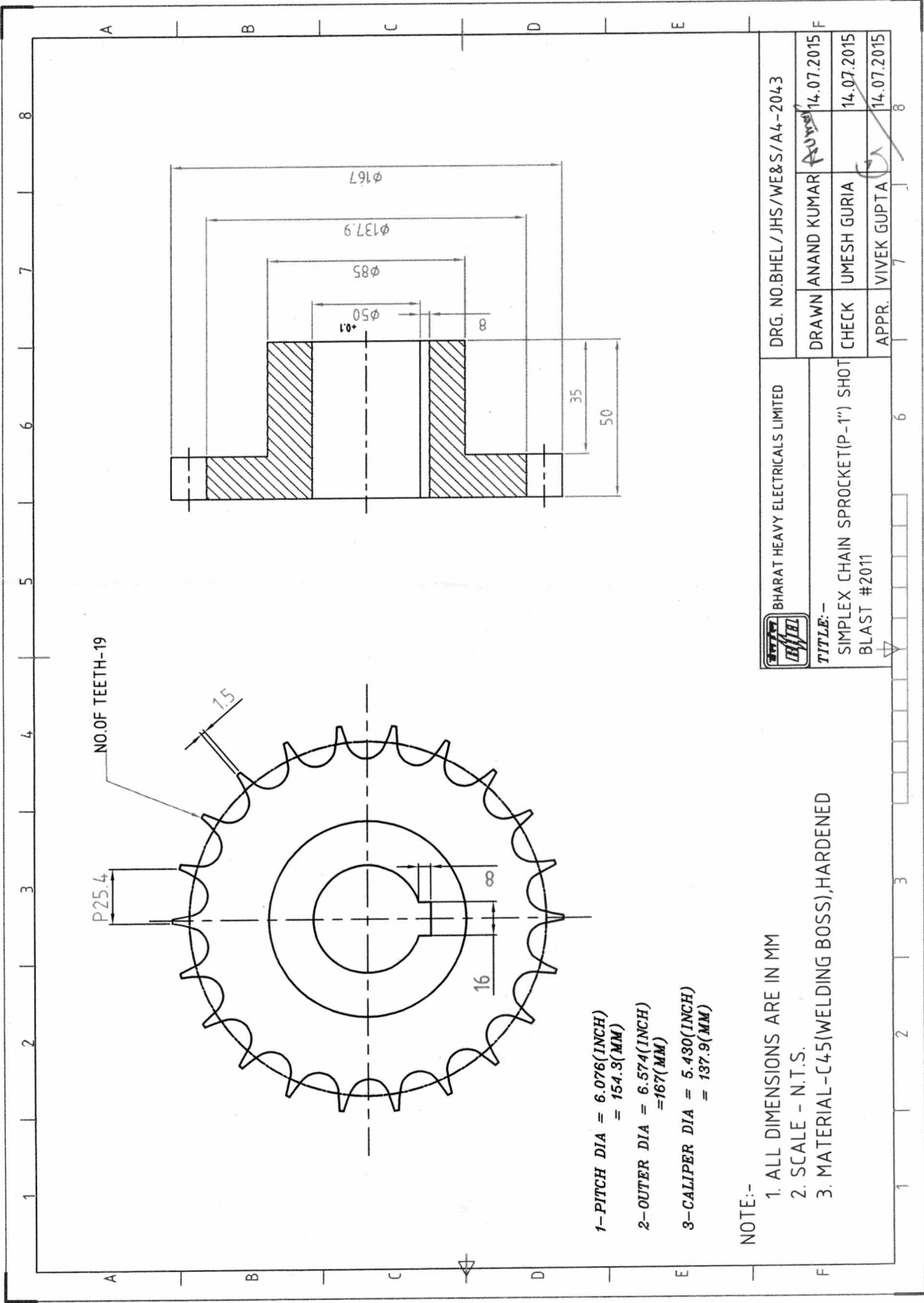
3-CALIPER DIA = 11.485(INCH)
= 291.7(MM)



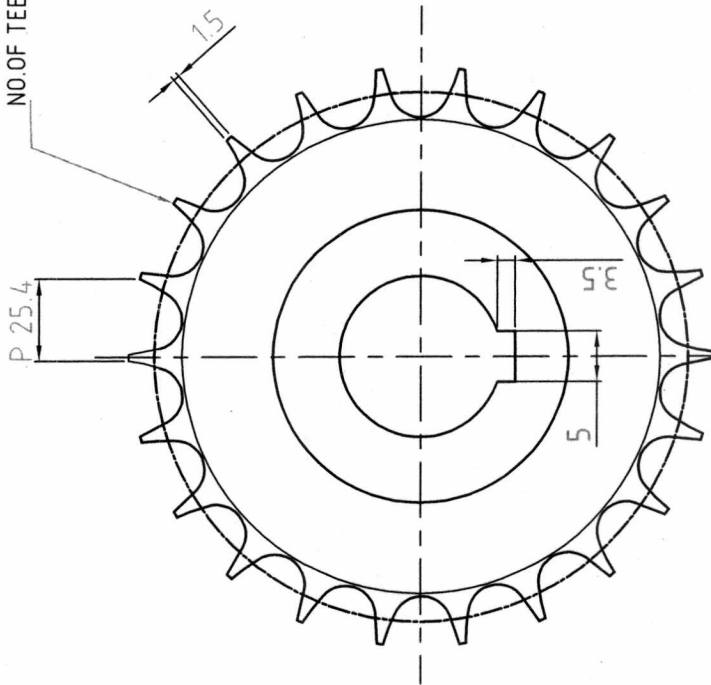
		DRG. NO. BHEL/JHS/WE&S/A4-2004	
TITLE:- SIMPLEX CHAIN SPROCKET (P-1") SHOT BLAST #2011		DRAWN ANAND KUMAR	14.07.2015
		CHECK UMESH GURIA	14.07.2015
		APPR. VIVEK GUPTA	14.07.2015

9

2



NO. OF TEETH-19



SPROCKET

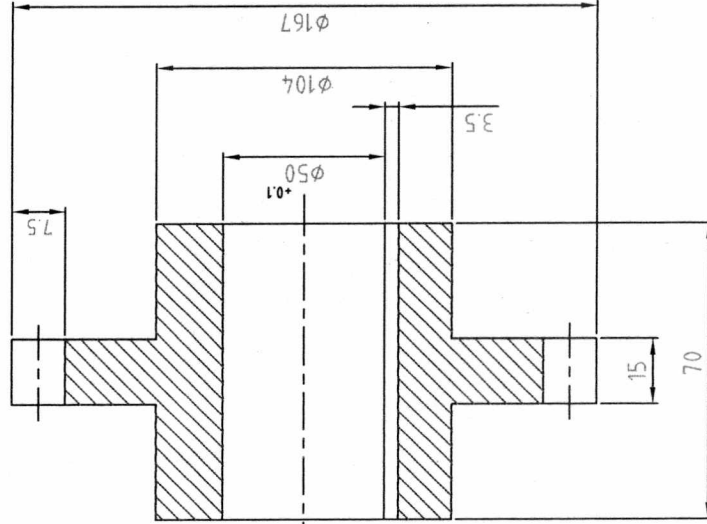
1-PITCH DIA = 6.076(INCH)
= 154.33(MM)

2-OUTER DIA = 6.574(INCH)
= 167(MM)

3-CALIPER DIA = 5.430(INCH)
= 137.92(MM)

NOTE:-

1. ALL DIMENSIONS ARE IN MM
2. SCALE - N.T.S.
3. MATERIAL - C45 (WELDING BOSS), HARDENED



BHARAT HEAVY ELECTRICALS LIMITED

DRG. NO. BHEL/JHS/WE&S/A4-2025

TITLE:-
CHAIN SPROCKET(P-1") SHOT BILAST
#2011

DRAWN	ANAND KUMAR	09.10.2015
CHECK	UMESH GURIA	09.10.2015
APPR.	VIVEK GUPTA	09.10.2015

2