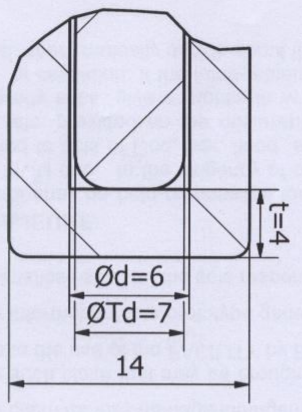


Note:
 1. Thermocouple is K-Type, mineral insulated, simplex 6mm dia
 2. TB should be spring loaded type



B (3 : 1)

All dimensions are in mm

Designed by A.Gunasekaran	Checked by Sivaram	Approved by D.Satyamoahh Rao	Date 4/25/2016
K-type Thermocouple Assembly			
4-Q103-15-794-03	Edition 0	Sheet 1 / 1	

K. Lakshmi Narayanan