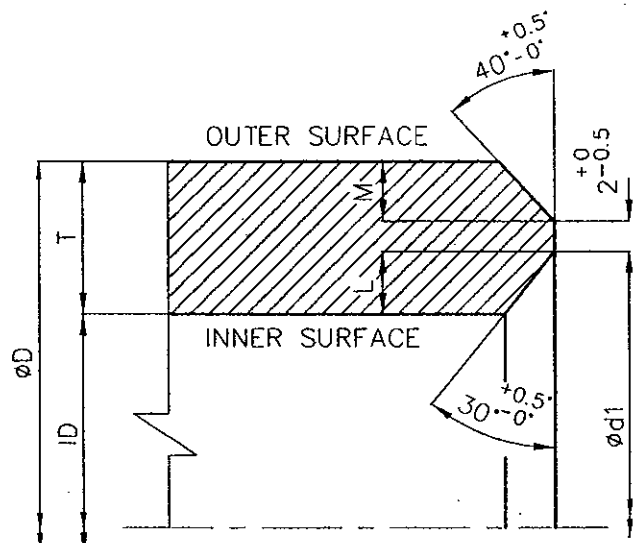


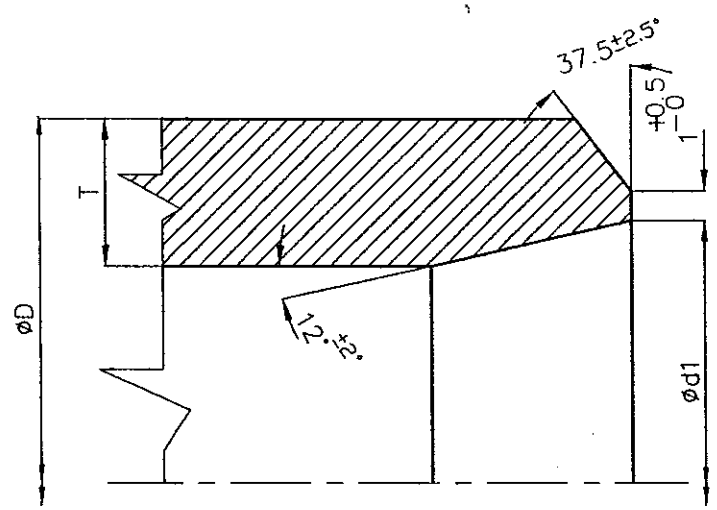
ELECTRICALS LTD. It must not be used directly or indirectly in any way detrimental to the interest of the company.

REV	DATE	ALTERED	ALL DIMENSIONS ARE IN MILLIMETRES
		APPROVED	



PIPE SIZE	M	L	ID	ød1
øD X T	5	T-7	D-2T	D-14

FIG-A E.P.DETAIL FOR PIPES OF THICKNESS
ABOVE 14mm



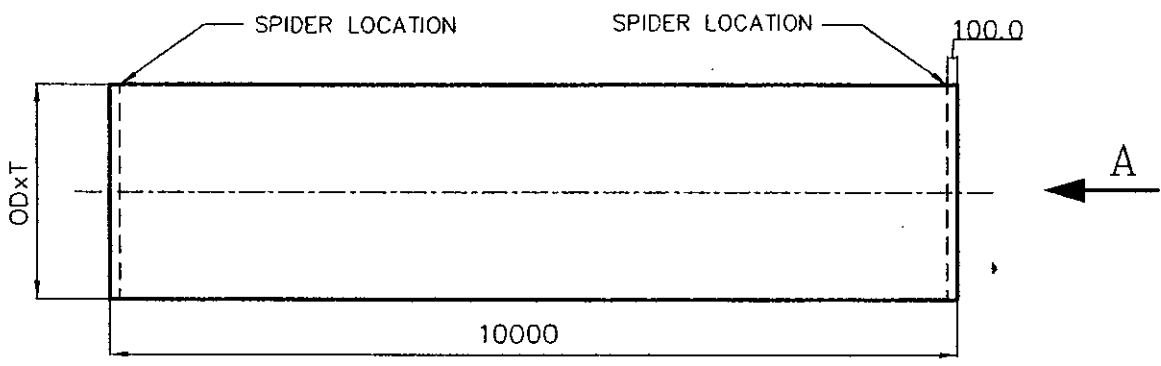
PIPE SIZE	ød1
øD X T	D-2T

STYLE-D E.P.DETAIL FOR PIPES OF THICKNESS
14mm AND BELOW

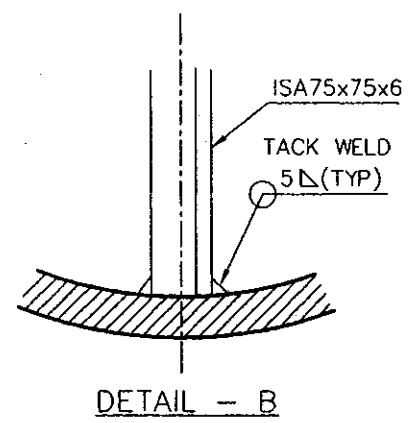
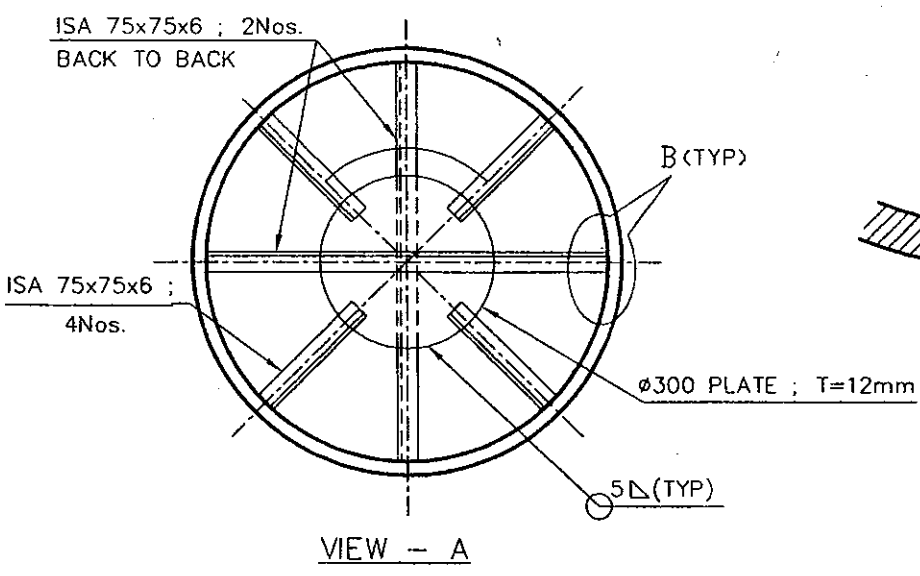
	BHARAT HEAVY ELECTRICALS LIMITED PIPING CENTRE CHENNAI 600 017		DRN	C.KUMAR	SIGN	DATE	NO. OF VAR
	DEPT	GRADE OF UNTOL DIM	SCALE	CHD	C.K.KARAN	11.04.08	
	CODE	C / M / F	N.T.S	APPD	C.K.KARAN	11.04.08	
TITLE		WEIGHT (KG).		REF. TO ASSY. / OLD DRG.		ITEM NO.	NO. OF ITEMS
EDGE PREPARATION DETAIL FOR PIPE DIA > 1000		U 01		DRAWING NO. 4-80-999-93079		REV 00	

Copyright: The information on this document is the property of Bharat Heavy Electricals Ltd. It must not be used directly or indirectly in any way detrimental to the interest of the company.

REV	DATE	ALTERED	ALL DIMENSIONS ARE IN MILLIMETRES
		APPROVED	



SPIRAL/LONGITUDINAL WELDED PIPE
 (2 LOCATIONS IN 10 MTR. PIPE)



		BHARAT HEAVY ELECTRICALS LIMITED PIPING CENTRE CHENNAI 600 017		DRN	NAME	SIGN	DATE	NO. OF VAR
		CHD	C.K.KARAN		11.04.08			
		APPD	C.K.KARAN		11.04.08			
DEPT	GRADE OF UNTOL DIM		SCALE	WEIGHT (KG).	REF. TO ASSY./OLD DRG.		ITEM NO.	NO. OF ITEMS
CODE	C / M / F		N.T.S.					
TITLE SPIDER ARRANGEMENT FOR FOR PIPE DIA > 1000				CARD CODE	DRAWING NO.		REV	
				U 01	4-80-999-93078		00	