

FIRST ANGLE PROJECTION (ALL DIMENSIONS IN MILLIMETRES)

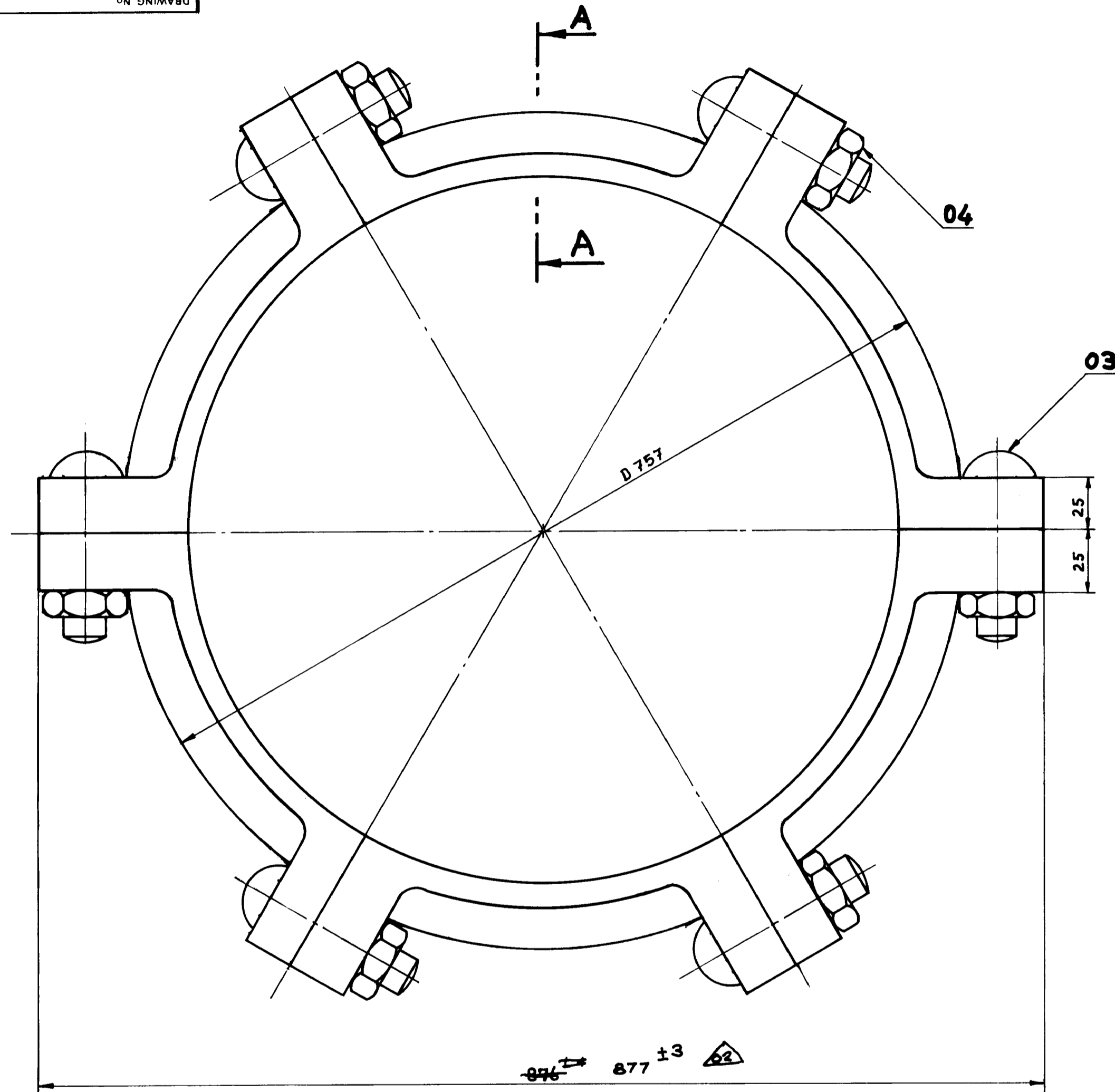
2-47-263-00556

DRAWING NO

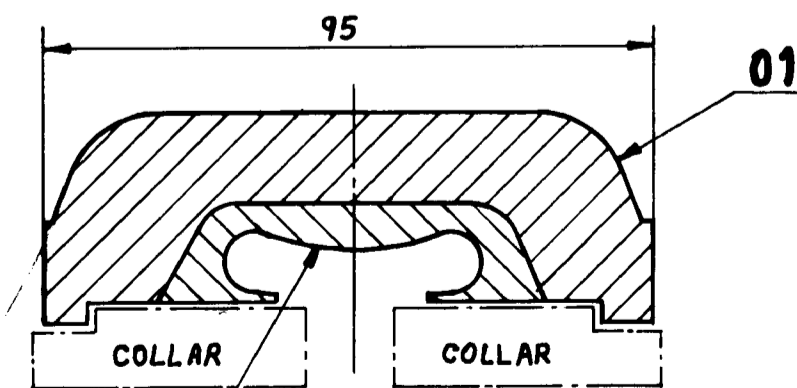
NOTES:-

1. FUEL PIPE COUPLINGS SHOULD BE SENT AS A FULL PIECE INCLUDING GASKETS, BOLTS, NUTS IN THE ASSEMBLED CONDITION WITH COVERED CRATE PACKING.
2. THE COUPLING HOUSING SHOULD BE PAINTED WITH PRIMER AND UNIFORM COAT OF RED LEAD PAINT.
3. COUPLING HOUSING MATCH MARKS IF ANY ARE NOT TO BE DISTURBED.
4. COUPLING SHALL BE CAPABLE OF WITHSTANDING AN INTERNAL PRESSURE OF $14.0 \pm 0.25 \text{ Kg/cm}^2$.
5. GASKET SHALL BE RESILIENT TO PROVIDE PROPER SEAL AT THE SEALING SURFACE.

THIS DRAWING SUPERSEDES OLD DRR. NO. 2-47-821-00073



846 ± 1 877 ± 3



02 SECTION-AA

VARIANT NO.	ITEM NO.	DESCRIPTION	STD	DRAWING NO.	ITEM NO.	MATL CODE	A	UNIT	UNIT WT	QTY	ZONE
	04	HEX NUT M 27		413 01 27 000		413 01 00027			0.170	6	
	03	TRACK BOLT M27		4-47-263-01210		SA 105			0.680	6	
	02	FUEL PIPE GASKET 26 H		4-47-263-01209		SILICONE			1.300	1	
	01	COUPLING HOUSING 26 H		1-47-263-00999					6.750	1	

TYPE OF PRODUCT OR NAME OF CUSTOMER/PROJECT

Bharat Heavy Electricals Ltd.,
BOILER PLANT UNIT
TIRUCHIRAPALLI-620 014

DRN	NAME	SIGN	DATE	NO. OF ITMS
	V.K.SUNDRAM		18-3-87	
CHD	R.SESHANAND		18-3-87	04
APPD	S.MAYKEERAN		18-3-87	

DEPT: CC GRADE OF UNTOL. DIM: 2/M/P SCALE: NTS WEIGHT (KG): 46.90 REF TO ASSY / OLD DRG: ITEM NO.:

TITLE: **COUPLING ASSY. 26 H** CARD CODE: U 01 DRAWING NO.: **2-47-263-00556** REV: 02

REV	DATE	ALD. P. NO.	REV	DATE	ALTERED	CHECKED	ZONE
02	1.9.88	CHD: [Signature]	01	3/6/88	LOSD 083	[Signature]	

NOTE: 04 REVISED. BOLT HEAD CHANGED AS ELLIPTICAL

06-228/C

CAUTION THE INFORMATION ON THIS DOCUMENT IS THE PROPERTY OF BHARAT HEAVY ELECTRICALS LTD. IT MUST NOT BE USED IN ANY MANNER WHICH IS DETRIMENTAL TO THE INTEREST OF THE COMPANY.

SCANNED