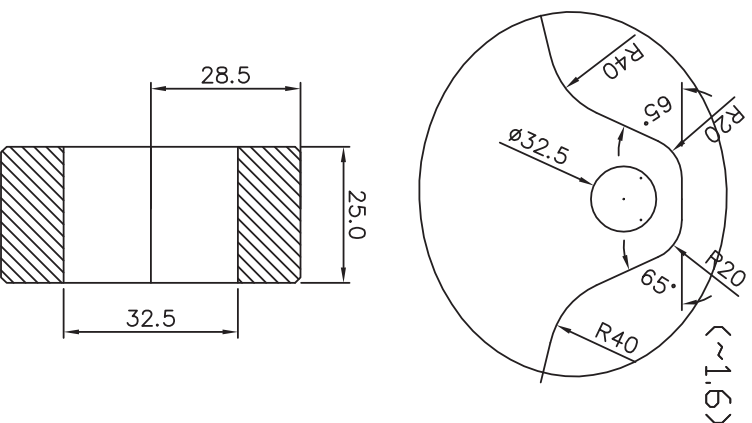


Note: * Dimensions are tentative and can be changed according to BHEL Specifications.

1. PIPE,BELLOWS AND FLANGE TO BE TIG/MIGWITH SUITABLE SS ELECTRODE.
2. THE ROOT SHOULD BE HOMOGENEOUS AND CONTINUOUS.
3. TESTED ASSEMBLY TO BE DEGREASED,SAND BLASTED AND POWER COATED ON OUTSIDE.
4. INNER SURFACE SHOULD BE ELECTROPOLISHED.



Detail view of 'S'

VAR NO	REMARKS	VAR NO	ITEM NO	DESCRIPTION	EQS	DRAWING NO	TRND	MATL. CODE	MATL. SPECN	UNIT	QTY	ZONE
05	Lug							SS-304L		08		
04	TIE ROD							SS-304L		04		
03	FLANGE					RDDG 435 0617 0951		SS-304L		02		
02	BELLOWS							SS-304L		02		
01	PIPE							SS-304L		03		

GSM-420

REV.	DATE	ALTERED	REV.	DATE	ALTERED
		CHECKED			CHECKED

TYPE OF PRODUCT: **GSM-420**

NAME OF CUSTOMER: BHARAT HEAVY ELECTRICALS LTD. HYDERABAD

DEPT. CODE: **NTS**

SCALE: **NTS**

WEIGHT(KG):

DRN NAME: SA

APPD: MMRAD

REF. TO: RD DG 435 0617 0500

ITEM NO.: 1

NO. OF SHEETS: 1