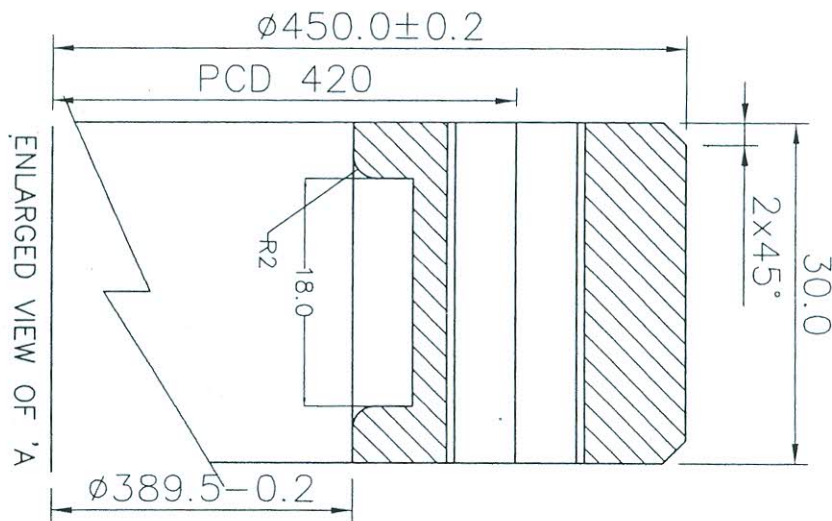


12 Nos. M12 taps @ 420 PCD

FIRST ANGLE PROJECTION

(ALL DIMENSIONS ARE IN MM)



ENLARGED VIEW OF 'A'

(~1.6)

VAR NO.	REMARKS	VAR NO.	ITEM NO.	DESCRIPTION	STD	DRAWING NO.	VAR	ITEM NO.	MATERIAL SPECN.	A	UNIT	QTY.	ZONE
02				LT INSERT		RDDG435-0519-021			HE-30		01		

CGSM-245

TYPE OF PRODUCT

NAME OF CUSTOMER



BHARAT HEAVY ELECTRICALS LTD.
HYDERABAD

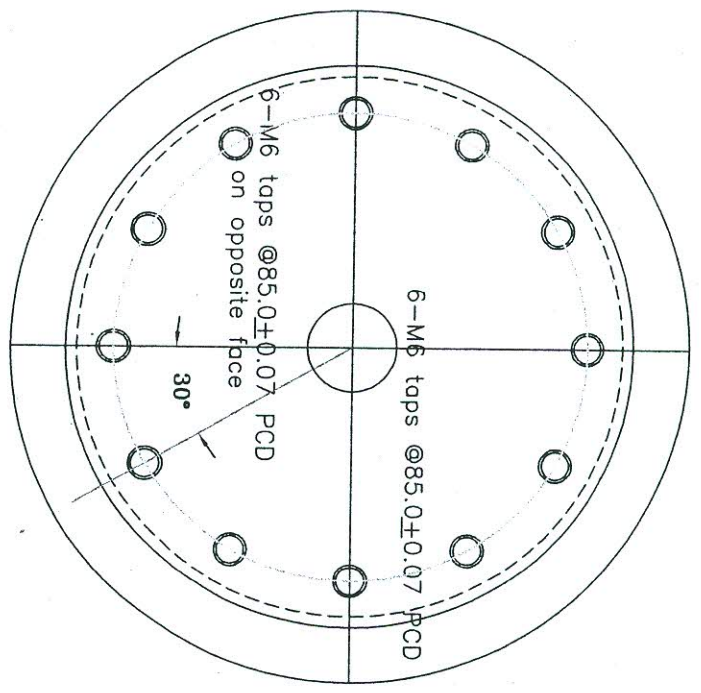
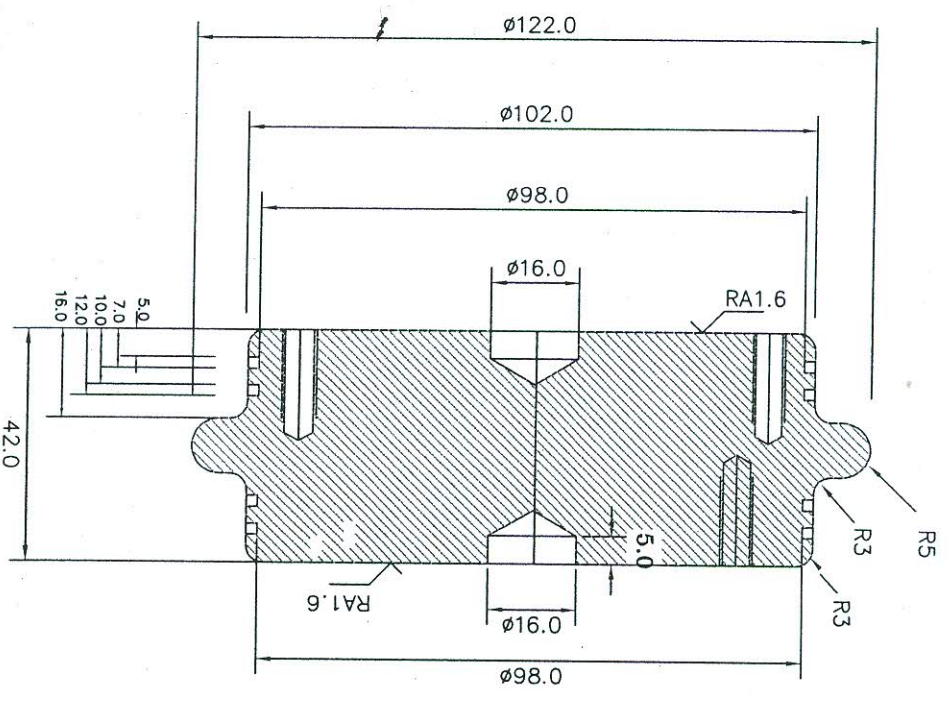
DRN NAME: KSRAD
CD: AGARWAL S
APPR: MURAD
REF. ID: RDDG435-0519-020
DATE: 15.03.12
NO. OF: 01

REV.	DATE	ALTERED	ZONE	REV.	DATE	ALTERED	ZONE
		CHECKED				CHECKED	

REV.	DATE	ALTERED	ZONE
		CHECKED	

DEPT.	GRADE OF	SCALE	WEIGHTING	CARD	DRAWING NO.	REV.
		NTS			RDDG435-0519-020	1

I T INICEDT



NOTE:
1. Component to be silver plated to 10-12 microns

VAR. NO.	REMARKS	VAR. ITEM NO.	DESCRIPTION	STD.	DRAWING NO.	IT. NO.	MAT. CODE	MAT. SPECN.	UNIT	WT.	QTY.	ZONE
01	HC COPPER BLANK				RDDG435-0519-022		ETP COPPER					

TYPE OF PRODUCT: GSM 245
NAME OF CUSTOMER: BHARAT HEAVY ELECTRICALS LTD. HYDERABAD

REV.	DATE	ALTERED	CHECKED	ZONE	REV.	DATE	ALTERED	CHECKED	ZONE

DEPT. CODE	HT INSERT	SCALE	NTS	WEIGHT (G)	
DWG. NO.	RDDG435-0519-020	DRAWING NO.	RDDG435-0519-022	CAD CODE	

DATE	BY	CHKD.	APPD.	REV.
25/04/13	D S AGARWAL		M M RAO	01