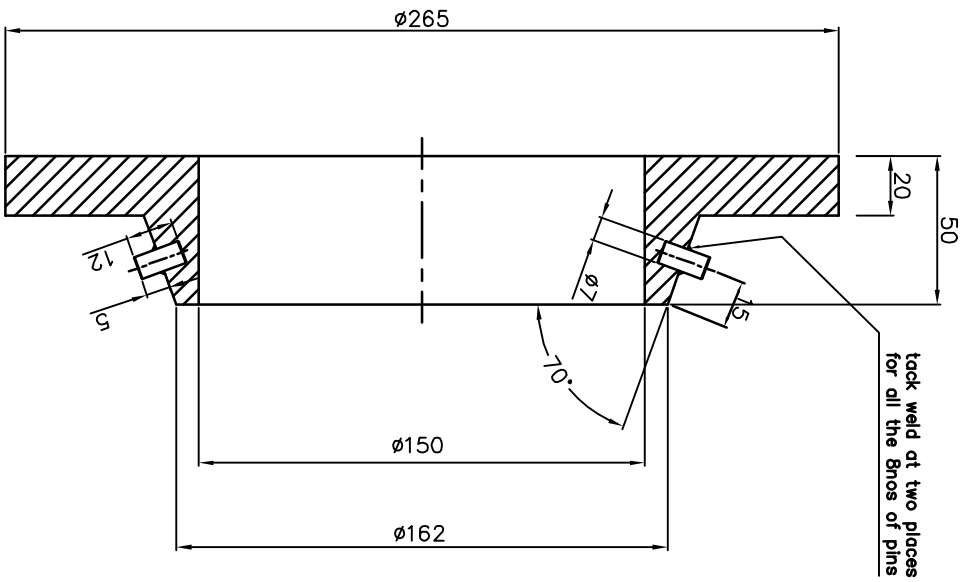
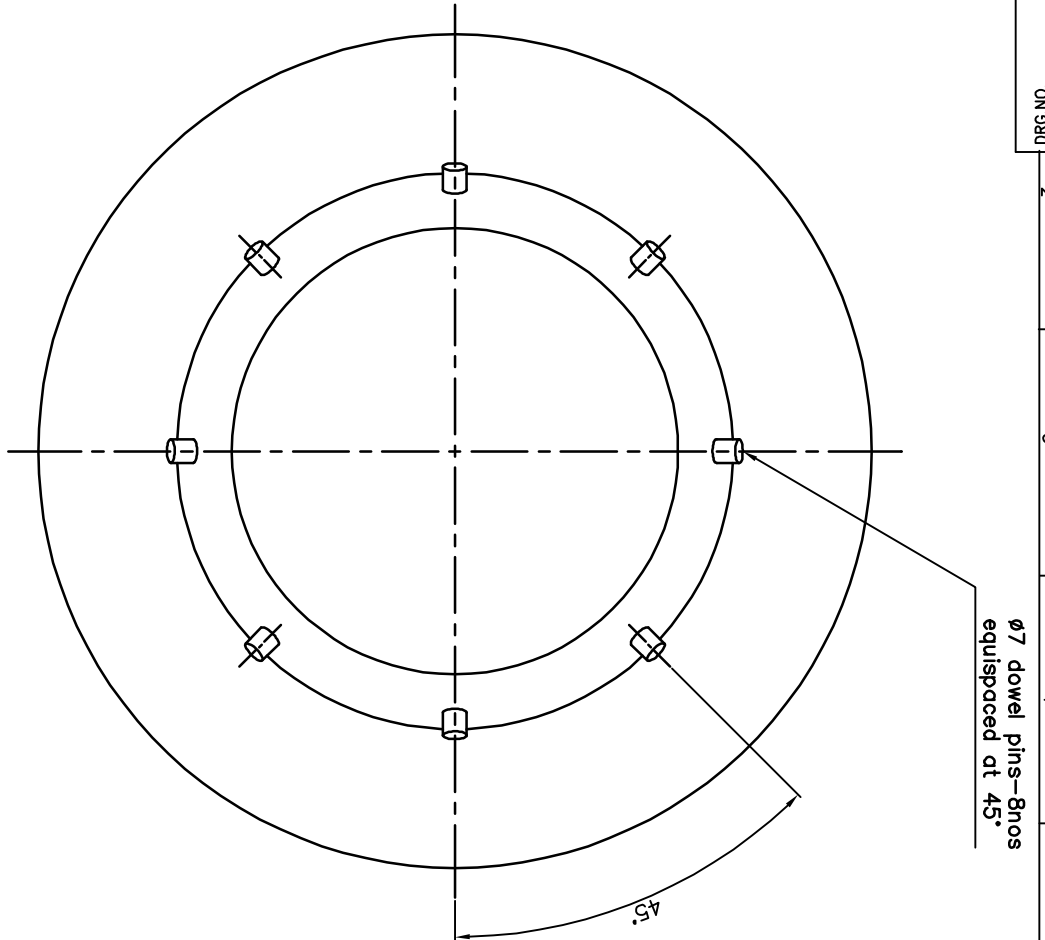


THE INFORMATION ON THIS DOCUMENT IS THE PROPERTY OF BHARAT HEAVY ELECTRICALS LIMITED.
IT MUST NOT BE USED DIRECTLY OR INDIRECTLY IN ANY WAY DETRIMENTAL TO THE INTEREST OF THE COMPANY.

DRG.NO. 2

(ALL DIMENSIONS ARE IN mm)



Material: SS316L

General Tolerance: +/−0.1
Remove all sharp corners

REV.	DATE	ALTERED	APPR.	ZONE	REV.	DATE	ALTERED	APPR.	ZONE	REV.	DATE	ALTERED	APPR.	ZONE	REV.	DATE	ALTERED	APPR.	ZONE																				
1					2					3					4					5					6					7					8				

		BHARAT HEAVY ELECTRICALS LIMITED Corp. R&D Division, Visakhapatnam HYDERABAD - 500 093	
DEPT. ENMC	SCALE NTS	WEIGHT(VG)	REF. TO ASSY DRG.
CODE 29			
TYPE OF PRODUCT OR NAME OF CUSTOMER/PROJECT END FLANGE FOR PROTOTYPE COMPOSITE TUBE		NAME T. RAJESH	DATE 11.04.18
TITLE END FLANGE FOR PROTOTYPE COMPOSITE TUBE		DRN. B. KALYANI	NO. OF 00
DRAWING NO. 2Y1146090006		REV. 00	NO. OF 00
SHEET NO.		NO. OF SHEETS	NO. OF ITEMS