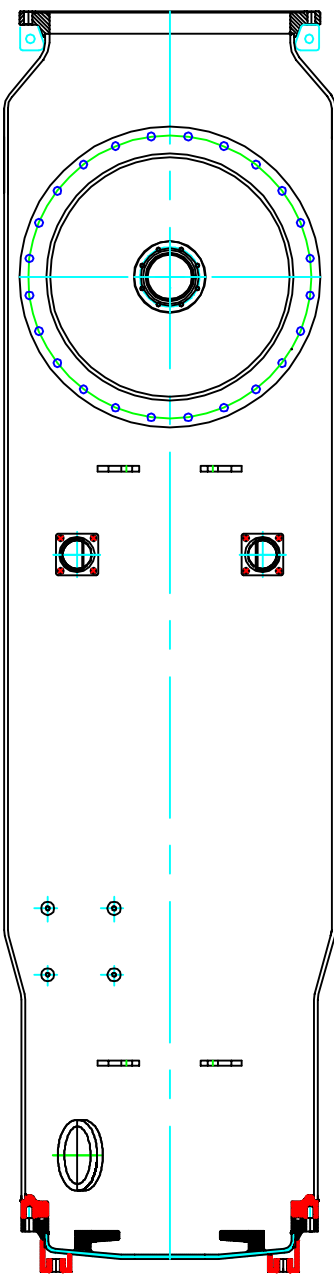
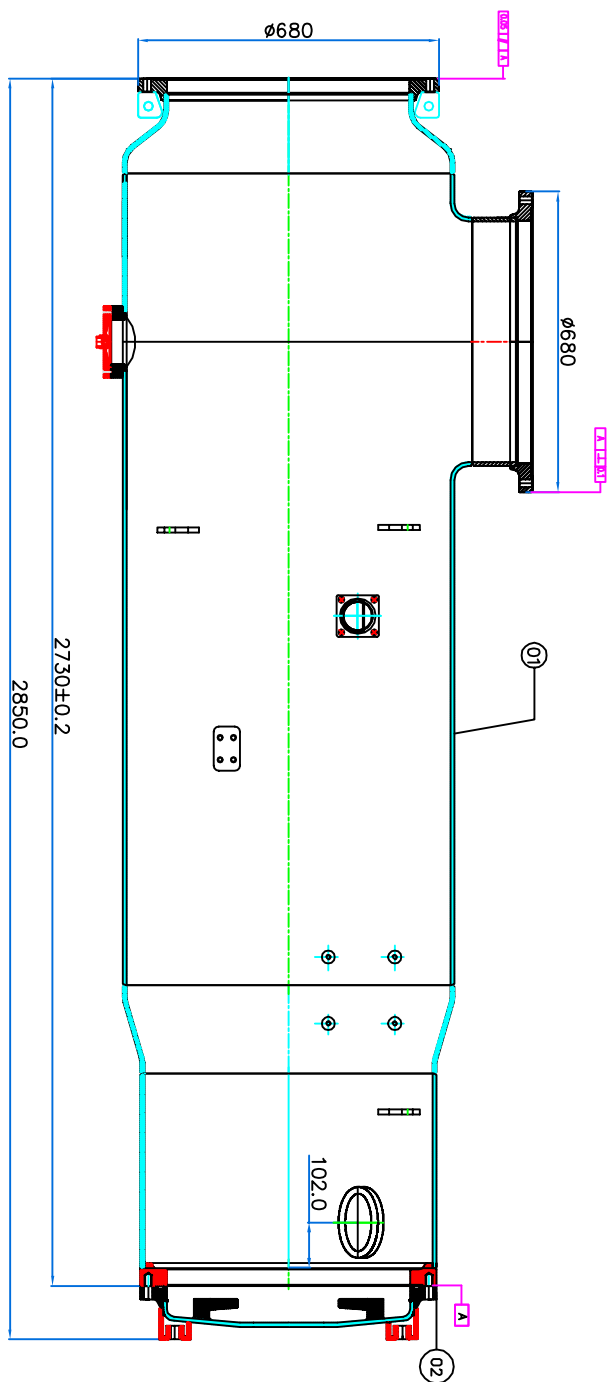
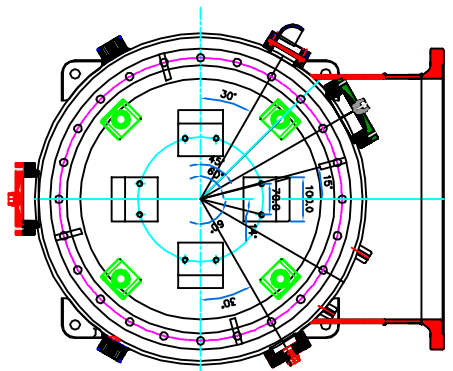


PHASHEVA ELECTRICALS LIMITED.
THE INFORMATION ON THIS DOCUMENT IS THE PROPERTY OF
IT MUST NOT BE USED DIRECTLY OR INDIRECTLY IN ANY WAY DETRIMENTAL TO THE INTEREST OF THE COMPANY.

| | | |
|---------------|----------------|---------------|
| INVENTORY NO. | SIGN. AND DATE | REF. DRG. NO. |
|---------------|----------------|---------------|



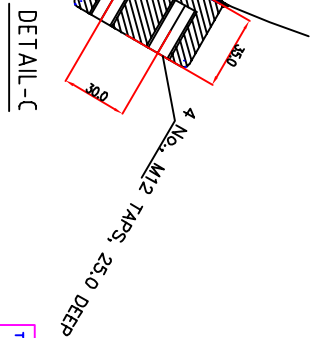
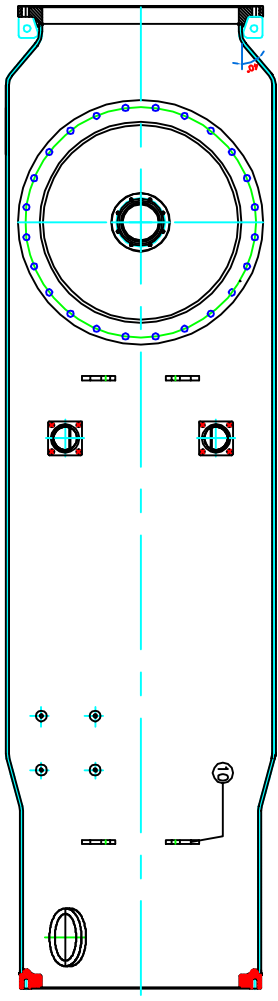
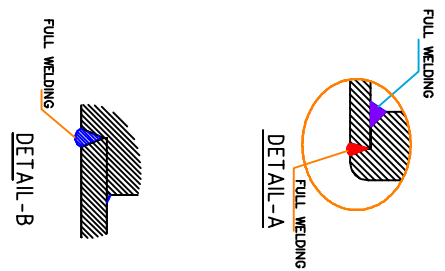
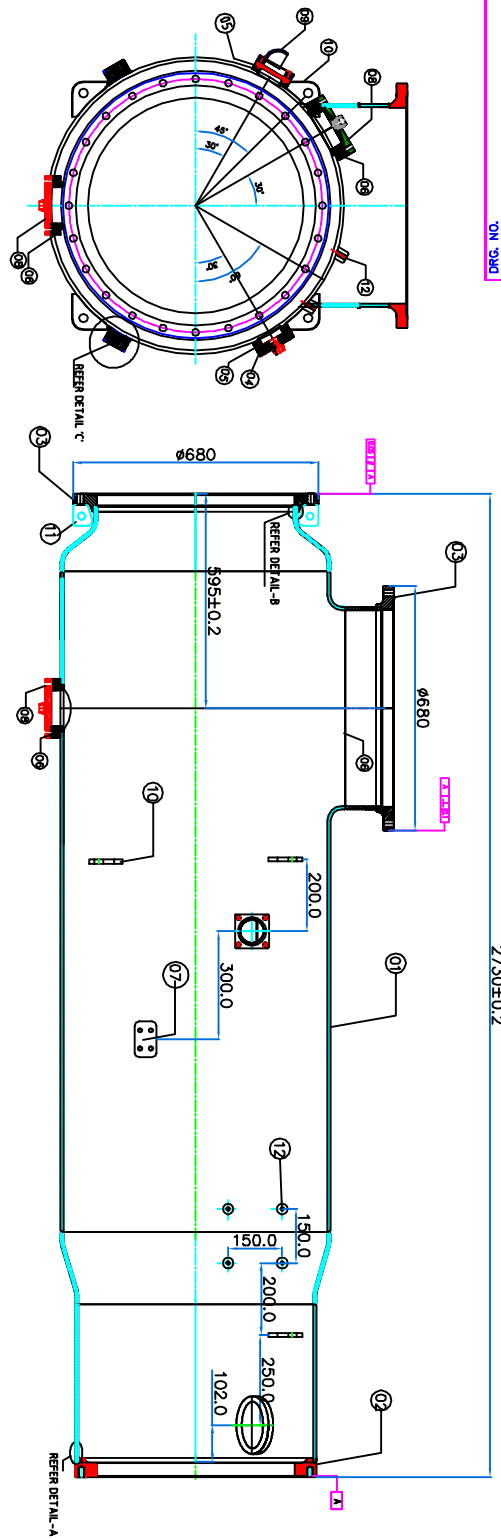
| | | | | |
|----------|--------------|----------------------|------------|----------|
| 02 | DISH ASSY | RD DG 4 35 0619 6620 | SS-304 | 01 |
| 01 | SA ENCLOSURE | RD DG 4 35 0619 6610 | SS-304 | 01 |
| ITEM NO. | DESCRIPTION | DRAWING NO. | MATL. CODE | UNIT WT. |
| QTY. | | | | |

GSM-420

| | | | |
|-------------------------------|--------|------------------|----------|
| TYPE OF PRODUCT | | NAME OF CUSTOMER | |
| BHARAT HEAVY ELECTRICALS LTD. | | HYDERABAD | |
| DEN | NAME | SIGN. | DATE |
| AKD | AL | | 07.02.16 |
| APPD | MM/RAO | | 15.02.16 |

| | | | |
|-------|----------|---------|------------|
| DEPT. | GRADE OF | SCALE | WEIGHT(KG) |
| C/M/F | | | |
| REV. | DATE | ALTERED | ZONE |
| | | CHECKED | |

| | | | |
|------------|--|----------------------|---------------|
| TITLE | | CARD | NO. OF SHEETS |
| SA HOUSING | | RD DG 4 35 0619 6600 | |



- Note:**
1. FLANGE TO BE TIG / MIG WELDING WITH SUITABLE SS ELECTRODE
 2. THE ROOT SHOULD BE HOMOGENEOUS AND CONTINUOUS.
 3. PRESSURE TEST AS PER ENCLOSED SPECIFICATION.
 4. TESTED ASSEMBLIES TO BE DEGREASED, SAND BLASTED AND POWDER COATED ON OUTSIDE.
 5. ELECTRO POLISH INSIDE SURFACE.
 6. LIFTING LUGS AND SUPPORT BRACKETS SHALL BE FULLY WELDED TO PIPE AND FLANGE.
 7. ALL WELDINGS SHALL BE GROUNDED TO DIMENSIONS.
 8. FLANGES SHALL BE MACHINED TO DRAWING AFTER WELDING TO PIPE.
 9. PIPE SHALL BE PULLED OUT AS PER SPECIFICATION.

| ITEM NO. | DESCRIPTION | QTY | DRWGING NO. | ITEM NO. | DESCRIPTION | QTY |
|----------|--------------------|----------------------|-------------|----------|-------------|-----|
| 12 | GUIDE RODS | 28X630.0 | | 01 | SS-304L | 01 |
| 11 | LIFTING LUG | RD DG 4 35 0819 6814 | | 04 | SS-304L | 04 |
| 10 | LIFTING BRACKET | RD DG 4 35 0819 6813 | | 06 | SS-304L | 06 |
| 09 | RUPTURE DISK COVER | RD 99 320 630 | | 01 | SS-304L | 01 |
| 08 | FLANGE V | RD DG 4 35 0817 983 | | 02 | SS-304L | 02 |
| 07 | EARTHING PLATE | 100X60X5 | | 02 | SS-304L | 02 |
| 06 | FLANGE III | RD DG 4 35 1133 4160 | | 02 | SS-304L | 02 |
| 05 | FLANGE IV | RD 99 320 810 | | 02 | SS-304L | 02 |
| 04 | DUMMY FLANGE | RD 99 320 640 | | 01 | SS-304L | 01 |
| 03 | FLANGE-II | RD DG 4 35 0817 0850 | | 01 | SS-304L | 01 |
| 02 | FLANGE-I | RD DG 4 35 0820 6812 | | 01 | SS-304L | 01 |
| 01 | PIPE ASSEMBLY | RD DG 4 35 0819 6811 | | 01 | SS-304L | 01 |

GSM-420

TYPE OF PRODUCT: NAME OF CUSTOMER: BHARAT HEAVY ELECTRICALS LTD. HYDERABAD

DEPT.: GRADE OF TOL. DIM. C/M/P: NTS

SCALE: WEIGHT(KG):

CARD CODE: RD DG 4 35 0619 6600

TITLE: SA ENCLOSURE

DRAWING NO.: RD DG 4 35 0619 6610

SHEET NO.: NO. OF SHEETS: 00

DRN: AL

CHKD: MURAO

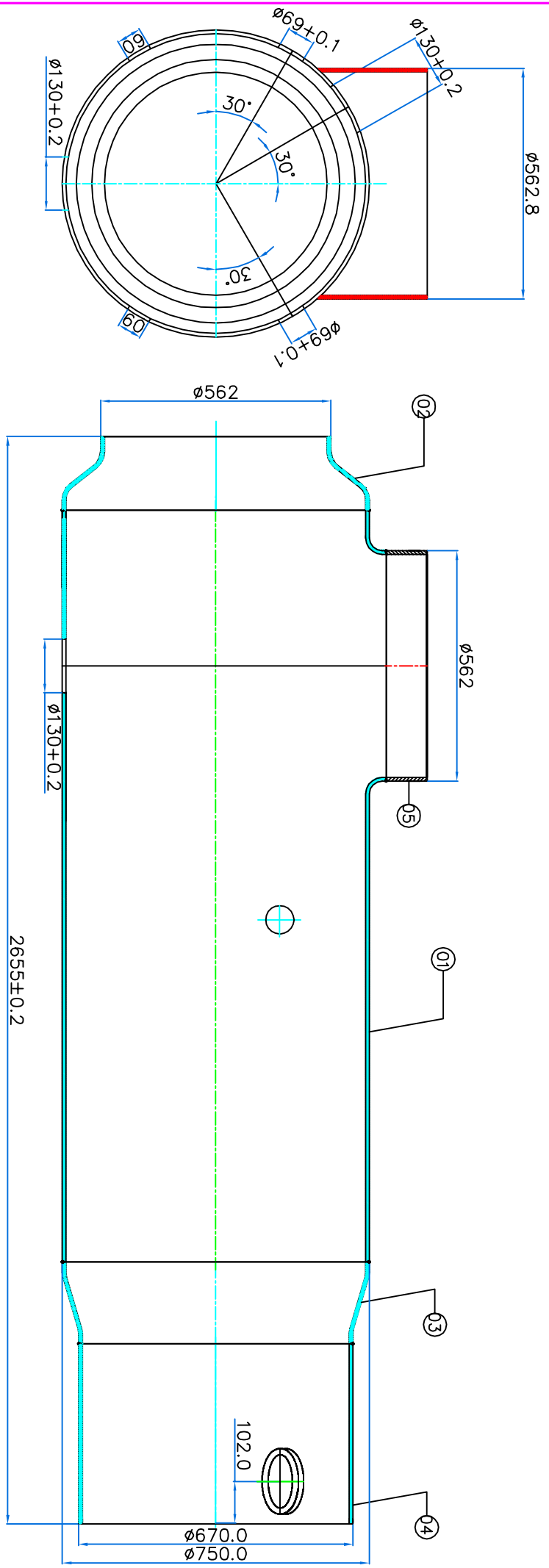
DATE: 07.02.18

VAR. NO. OF: 01

| REV. | DATE | ALTERED | ZONE | REV. | DATE | ALTERED | ZONE |
|------|------|---------|------|------|------|---------|------|
| | | CHECKED | | | | CHECKED | |

THE INFORMATION ON THIS DOCUMENT IS THE PROPERTY OF BHARAT HEAVY ELECTRICALS LIMITED. IT MUST NOT BE USED DIRECTLY OR INDIRECTLY IN ANY WAY DETRIMENTAL TO THE INTEREST OF THE COMPANY.

INVENTORY NO. SIGN. AND DATE REF. DRG. NO.



| ITEM NO. | DESCRIPTION | QTY | UNIT |
|----------|-------------|-----|------|
| 01 | PIPE-1 | 01 | 01 |
| 02 | REDUCER-1 | 01 | 01 |
| 03 | REDUCER-2 | 01 | 01 |
| 04 | PIPE-2 | 01 | 01 |
| 05 | PIPE-3 | 01 | 01 |

TYPE OF PRODUCT: GSM-420
 NAME OF CUSTOMER: BHARAT HEAVY ELECTRICALS LTD. HYDERABAD

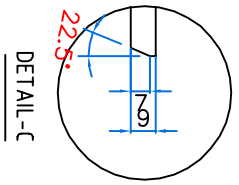
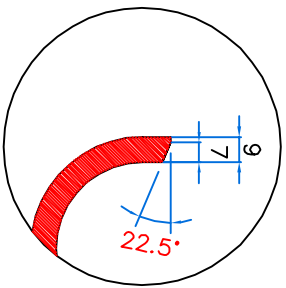
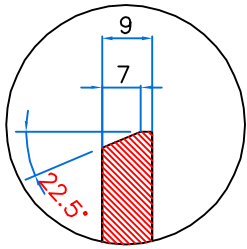
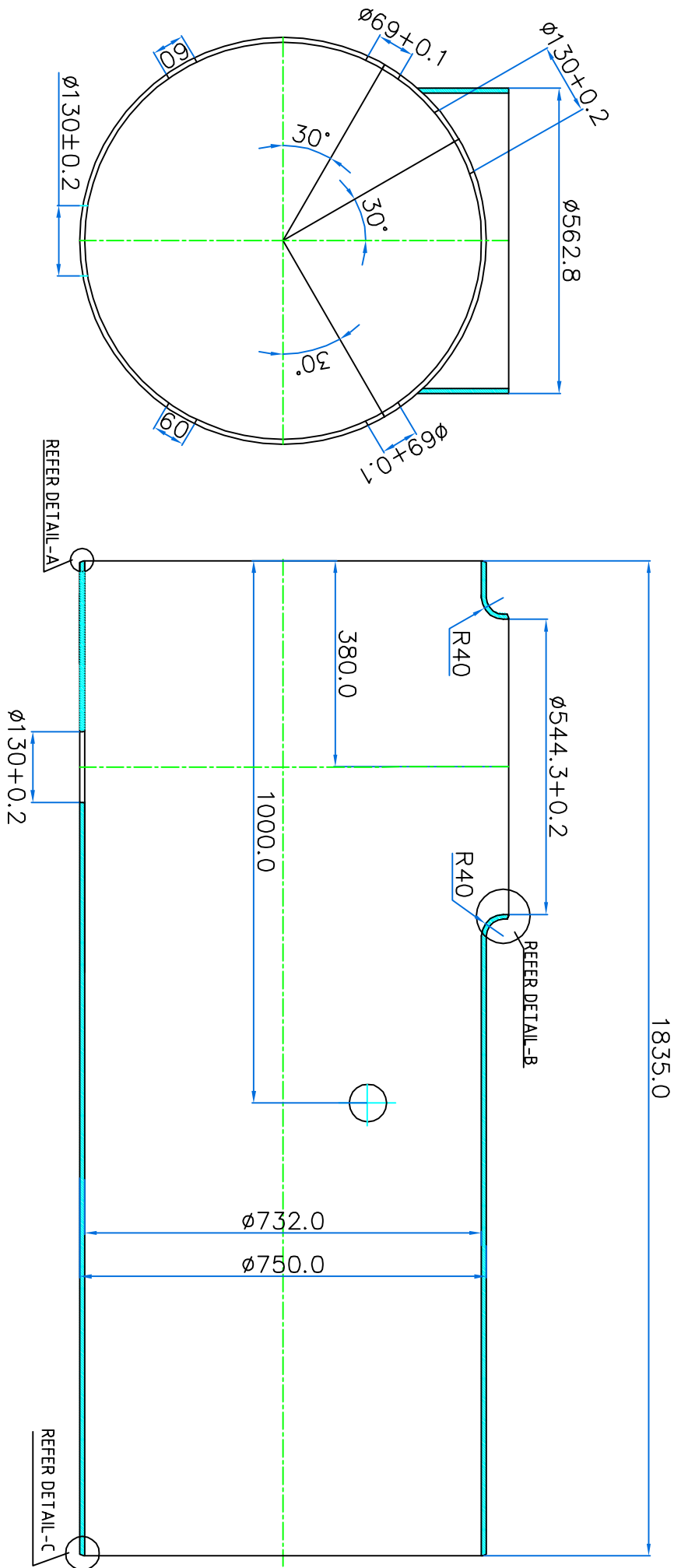
| DATE | NAME | SIGN. | NO. OF |
|----------|-------|-------|--------|
| 07.02.18 | AL | | 01 |
| 07.02.18 | AL | | 01 |
| 15.02.18 | MMRAO | | 01 |

| REV. | DATE | ALTERED | REV. | DATE | ALTERED |
|------|------|---------|------|------|---------|
| | | CHECKED | | | CHECKED |

| TITLE | SCALE | WEIGHT(KG) | CARD CODE | SHEET NO. | NO. OF SHEETS |
|---------------|-------|------------|----------------------|----------------------|---------------|
| PIPE ASSEMBLY | NTS | | RD DG 4 35 0619 6610 | RD DG 4 35 0619 6611 | 00 |

THE INFORMATION ON THIS DOCUMENT IS THE PROPERTY OF BHARAT HEAVY ELECTRICALS LIMITED.
IT MUST NOT BE USED DIRECTLY OR INDIRECTLY IN ANY WAY DETRIMENTAL TO THE INTEREST OF THE COMPANY.

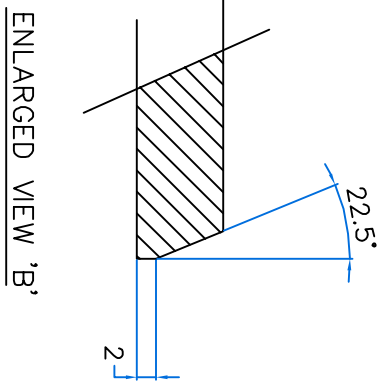
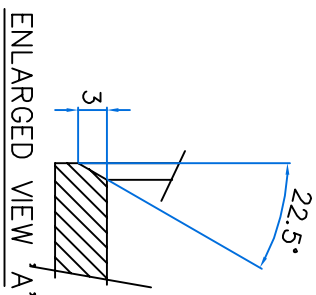
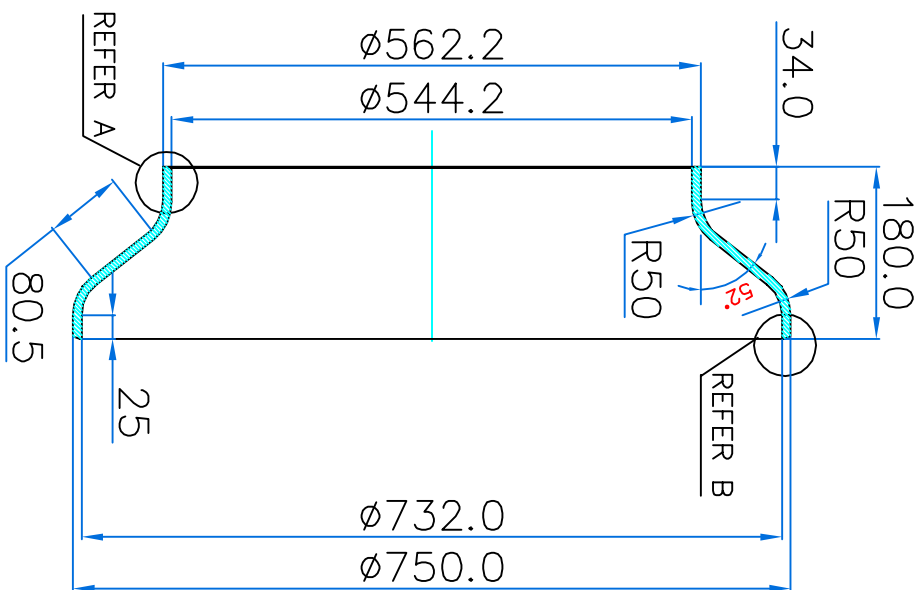
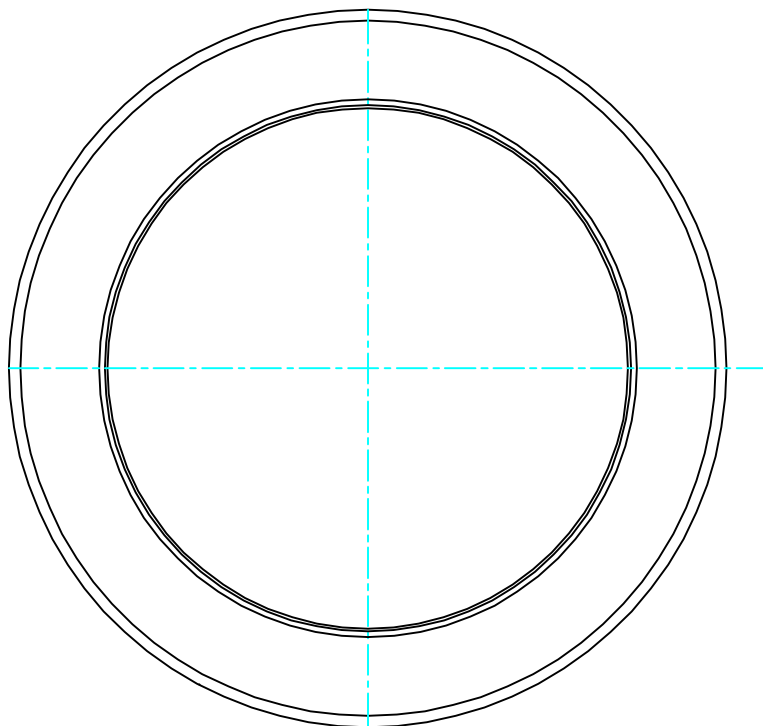
INVENTORY NO. SIGN. AND DATE REF. DRG. NO.



| REV. | DATE | ALTERED | CHECKED | ZONE |
|------|------|---------|---------|------|
| | | | | |

| REV. | DATE | ALTERED | CHECKED | ZONE |
|------|------|---------|---------|------|
| | | | | |

| | | | |
|---|-------------|---|----------|
| | | BHARAT HEAVY ELECTRICALS LTD. HYDERABAD | |
| DEPT. CODE C/M/F | | SCALE NTS | |
| TITLE PIPE-1 | | WEIGHT(KG) | |
| TYPE OF PRODUCT NAME OF CUSTOMER GSM-420 | | DSN NAME SIGN. DATE NO. OF AL AL 07.02.18 01 Appd. MMR Rao 15.02.18 | |
| ITEM NO. | DESCRIPTION | QTY. | UNIT WT. |
| 01 | PIPE-1 | 01 | 01 |
| SPECIFICATION Ø750.0 X 1837.2 mm | | MATERIAL SS-304L | |



Ø562.2
Ø544.2
Ø732.0
Ø750.0

| | | |
|---------------|----------------|---------------|
| INVENTORY NO. | SIGN. AND DATE | REF. DRG. NO. |
|---------------|----------------|---------------|

THE INFORMATION ON THIS DOCUMENT IS THE PROPERTY OF BHARAT HEAVY ELECTRICALS LIMITED. IT MUST NOT BE USED DIRECTLY OR INDIRECTLY IN ANY WAY DETRIMENTAL TO THE INTEREST OF THE COMPANY.

| REV. | DATE | ALTERED | REV. | DATE | ALTERED |
|------|------|---------|------|------|---------|
| ZONE | | CHECKED | ZONE | | CHECKED |

| | | | | | | | |
|-----------------------|---------|-------------|--------|------|-------|----------|--------|
| DEPT. | SCALE | WEIGHT(KGS) | DRN | NAME | SIGN. | DATE | NO. OF |
| HYDERABAD | NTS | | AL | | | 07.02.18 | 01 |
| APPD | REF. TO | | MMR/AD | | | 15.02.18 | 01 |
| RD DG 4 35 0619 6611 | | | | | | | |
| RD DG 4 35 0619 6611B | | | | | | | |
| RD DG 4 35 0619 6611B | | | | | | | |

BHARAT HEAVY ELECTRICALS LTD.
HYDERABAD

GSM-420

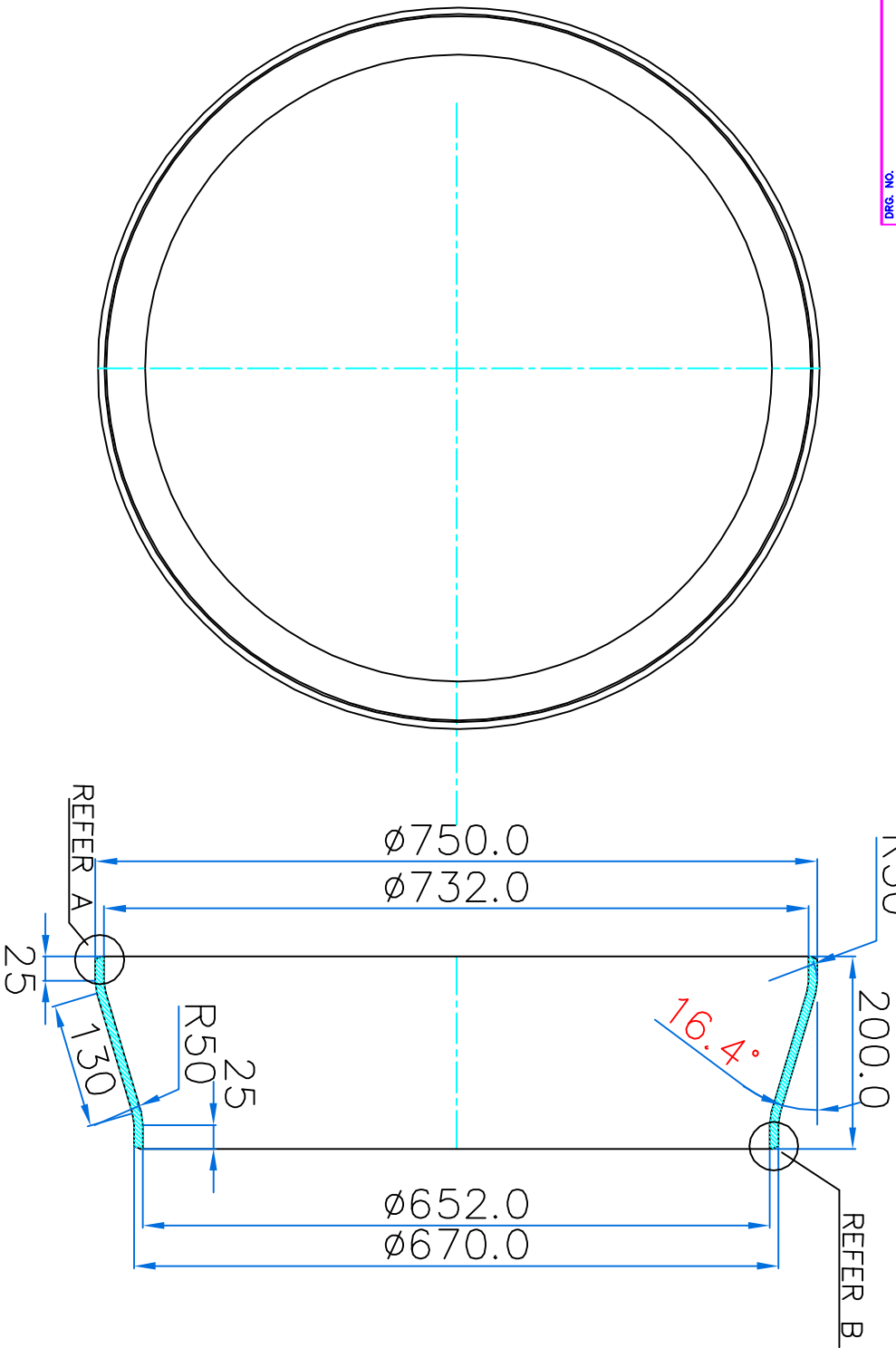
| ITEM NO. | DESCRIPTION | QTY | UNIT | WGT |
|----------|-------------|-----|------|-----|
| 01 | REDUCER-1 | | | |

| | |
|-----------------|------------------|
| TYPE OF PRODUCT | NAME OF CUSTOMER |
| | |

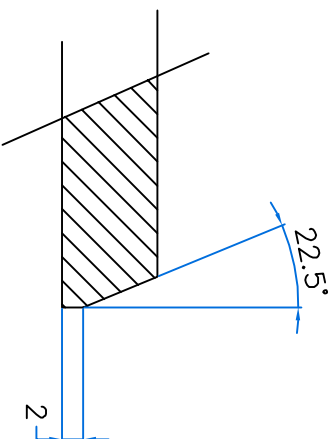
| | |
|-----------|---------------|
| SHEET NO. | NO. OF SHEETS |
| | |

THE INFORMATION ON THIS DOCUMENT IS THE PROPERTY OF BHARAT HEAVY ELECTRICALS LIMITED. IT MUST NOT BE USED DIRECTLY OR INDIRECTLY IN ANY WAY DETRIMENTAL TO THE INTEREST OF THE COMPANY.

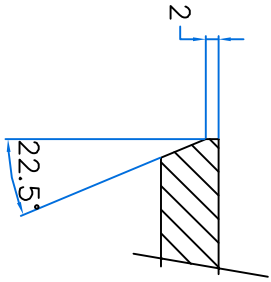
INVENTORY NO. SIGN. AND DATE REF. DRG. NO.



ENLARGED VIEW 'B'



ENLARGED VIEW 'A'



| REV. | DATE | ALTERED | REV. | DATE | ALTERED |
|------|------|---------|------|------|---------|
| ZONE | | CHECKED | ZONE | | CHECKED |

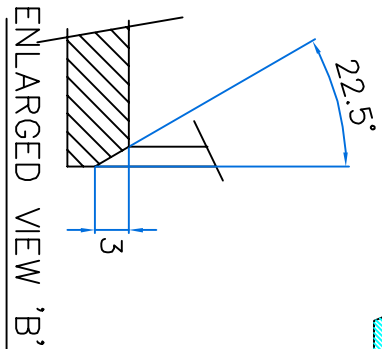
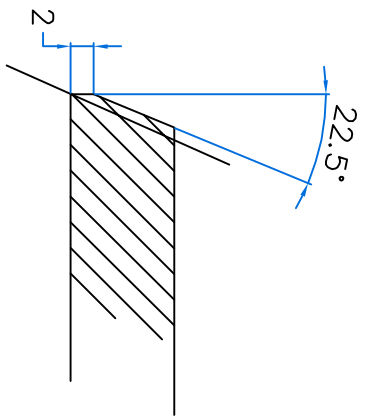
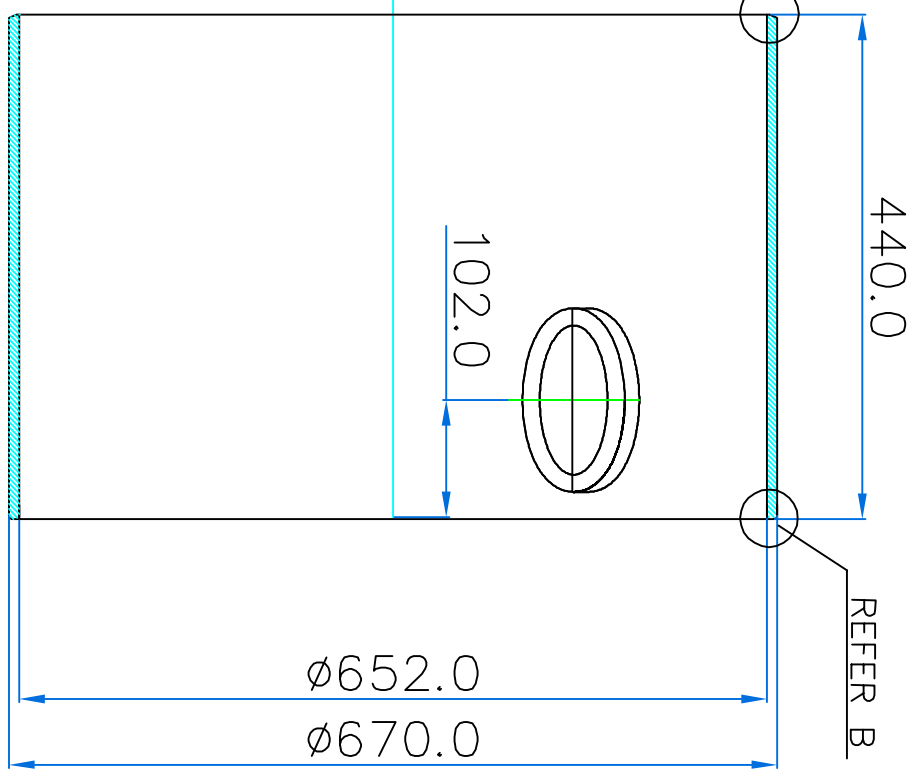
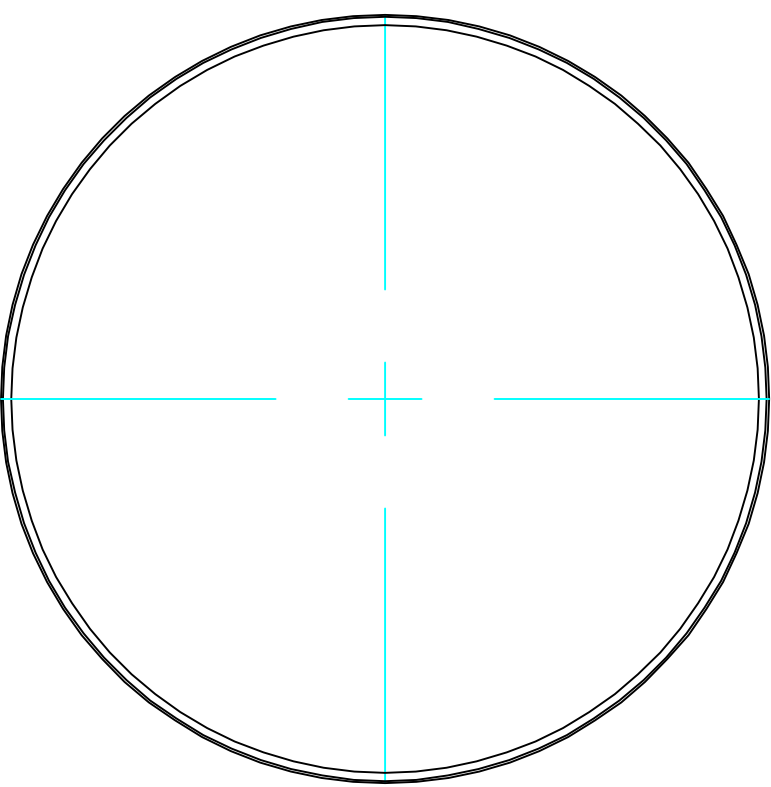
| REV. | DATE | ALTERED | REV. | DATE | ALTERED |
|------|------|---------|------|------|---------|
| ZONE | | CHECKED | ZONE | | CHECKED |

| | | | |
|-------------------------------|----------|-------|------------|
| DEPT. | GRADE OF | SCALE | WEIGHT(KG) |
| BHARAT HEAVY ELECTRICALS LTD. | TOL DIM | NTS | |
| HYDERABAD | | | |

| | | |
|------------------|---------|----------|
| TYPE OF PRODUCT | NAME | DATE |
| NAME OF CUSTOMER | GSM-420 | 07.02.18 |

| ITEM NO. | DESCRIPTION | DRAWING NO. | ITEM | MATL. CODE | UNIT WT. | QTY. | ZONE |
|----------|-------------|-------------|---------|------------|----------|------|------|
| 01 | REDUCER-2 | | SS-304L | | 01 | | |

| | |
|-----------------------|---------------|
| SH. NO. | NO. OF SHEETS |
| RD DG 4 35 0619 6611C | 00 |



ENLARGED VIEW 'A'

ENLARGED VIEW 'B'

| ITEM NO. | DESCRIPTION | QTY | UNIT |
|----------|-------------|-----|------|
| 01 | PIPE-1 | 01 | |

| | | |
|-----------------------|------------|----------|
| RD DG 4 35 0619 6611D | SS-304L | 01 |
| DRAWING NO. | MATL CODE | UNIT WT. |
| VAR | MATL SPECN | QTY |

| | | | |
|-----------------|--|-------------------------------|--|
| TYPE OF PRODUCT | | NAME OF CUSTOMER | |
| GSM-420 | | BHARAT HEAVY ELECTRICALS LTD. | |
| HYDERABAD | | DIN | |
| DRAFTER | | DATE | |
| 07.02.18 | | 07.02.18 | |
| APPD | | VAR. | |
| 15.02.18 | | 01 | |

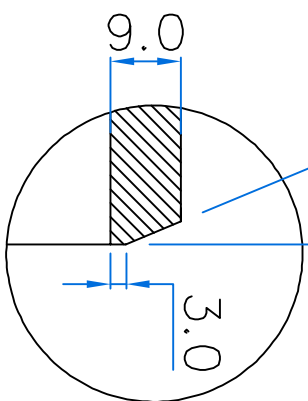
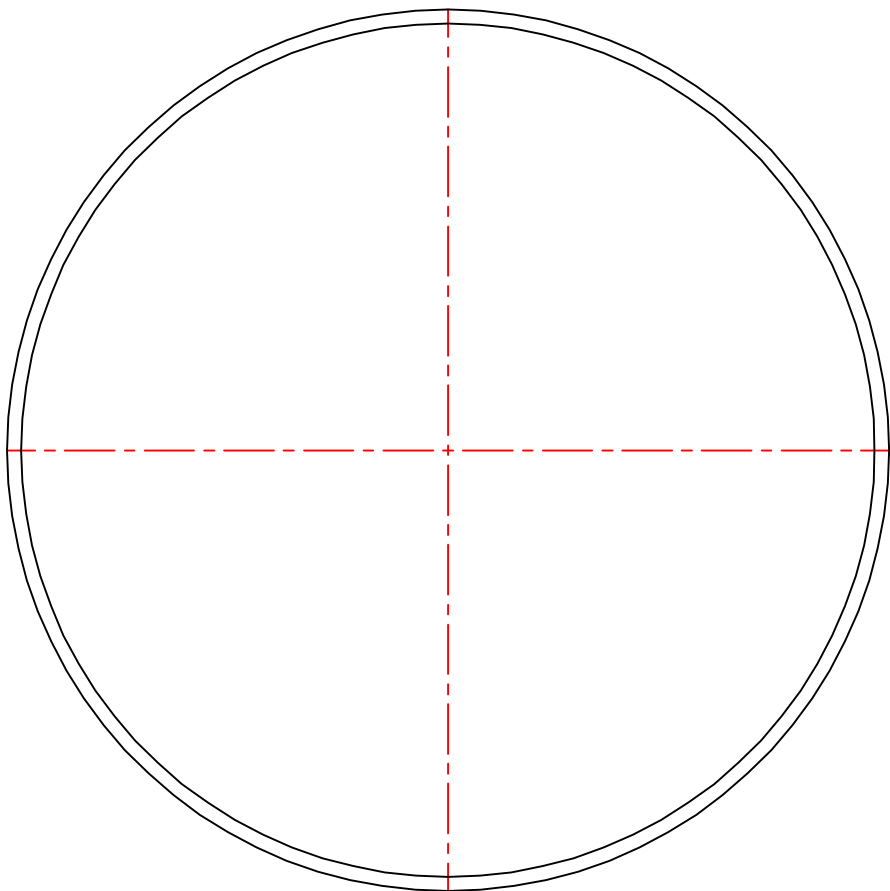
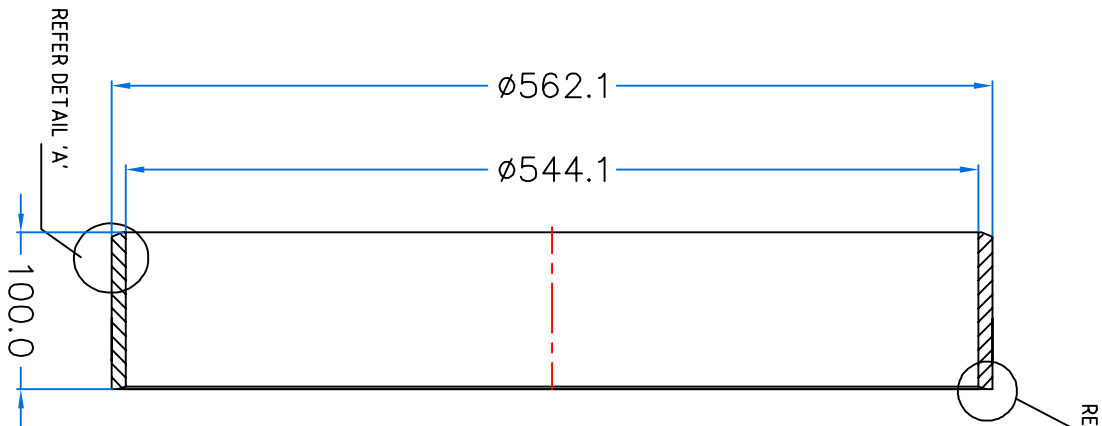
| | |
|-----------------------|-----------------------|
| RD DG 4 35 0619 6611D | RD DG 4 35 0619 6611D |
| DRAWING NO. | DRAWING NO. |
| RD DG 4 35 0619 6611D | RD DG 4 35 0619 6611D |
| DRAWING NO. | DRAWING NO. |
| RD DG 4 35 0619 6611D | RD DG 4 35 0619 6611D |
| DRAWING NO. | DRAWING NO. |

| | | |
|---------------|----------------|---------------|
| INVENTORY NO. | SIGN. AND DATE | REF. DRG. NO. |
|---------------|----------------|---------------|

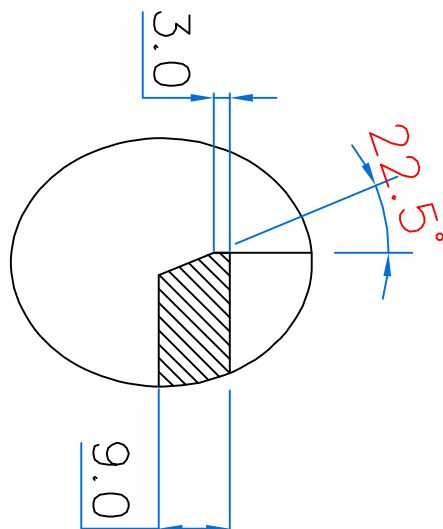
THE INFORMATION ON THIS DOCUMENT IS THE PROPERTY OF BHARAT HEAVY ELECTRICALS LIMITED. IT MUST NOT BE USED DIRECTLY OR INDIRECTLY IN ANY WAY DETRIMENTAL TO THE INTEREST OF THE COMPANY.

| REV. | DATE | ALTERED | REV. | DATE | ALTERED |
|------|------|---------|------|------|---------|
| ZONE | | CHECKED | ZONE | | CHECKED |

| | | | |
|-----------------------|----------|-------|------------|
| DEPT. | GRADE OF | SCALE | WEIGHT(KG) |
| PIPE -2 | TOL DIM | NTS | |
| CARD | C/M/F | | |
| RD DG 4 35 0619 6611D | | | |
| DRAWING NO. | | | |
| RD DG 4 35 0619 6611D | | | |
| DRAWING NO. | | | |



DETAIL 'A'



DETAIL 'B'

| VAR NO. | REMARKS | VAR NO. | ITEM NO. | DESCRIPTION | UNIT | QTY. | ZONE |
|---------|---------|---------|----------|-------------|---------|------|------|
| | | 01 | | PIPE | 20.0 KG | 01 | |

TYPE OF PRODUCT
NAME OF CUSTOMER
GSM-420

| | | | |
|------------|-------------------------|-------|------------|
| DEPT. CODE | GRADE OF TOL DIM. C/M/F | SCALE | WEIGHT(KG) |
| | | NTS | 10.0 |

| | | | | | | | |
|------|------|---------|---------|------|------|---------|---------|
| REV. | DATE | ALTERED | CHECKED | REV. | DATE | ALTERED | CHECKED |
| | | | | | | | |

| | | | | | | | |
|------|------|---------|---------|------|------|---------|---------|
| REV. | DATE | ALTERED | CHECKED | REV. | DATE | ALTERED | CHECKED |
| | | | | | | | |

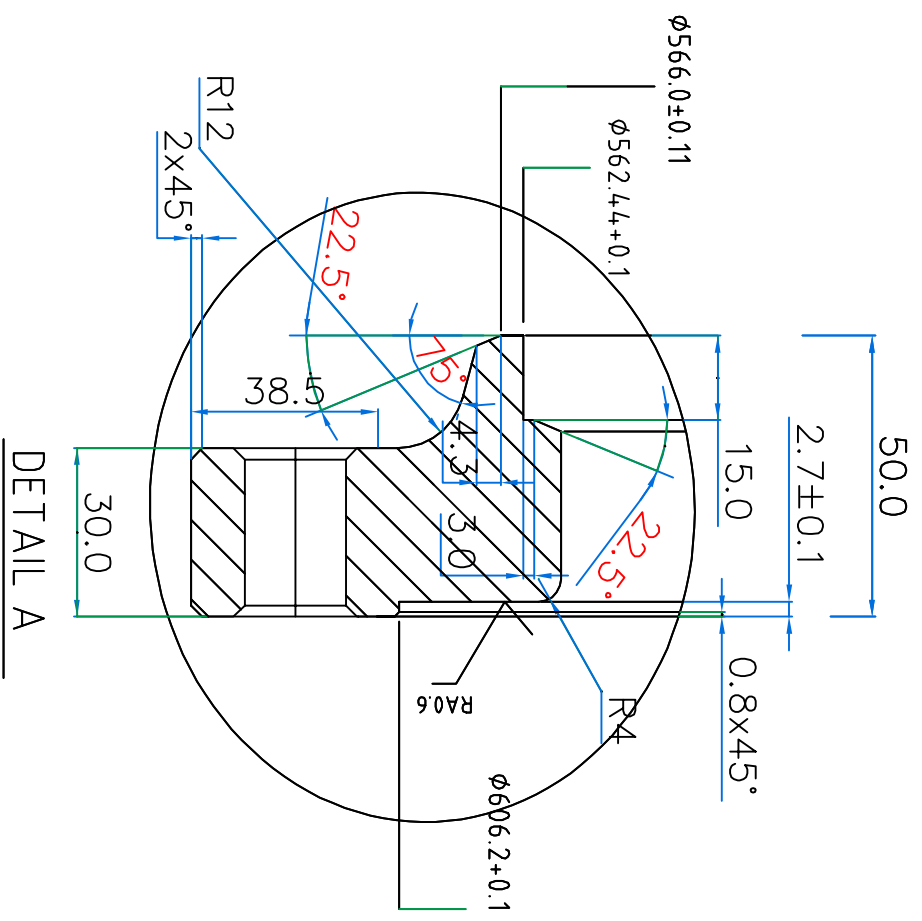
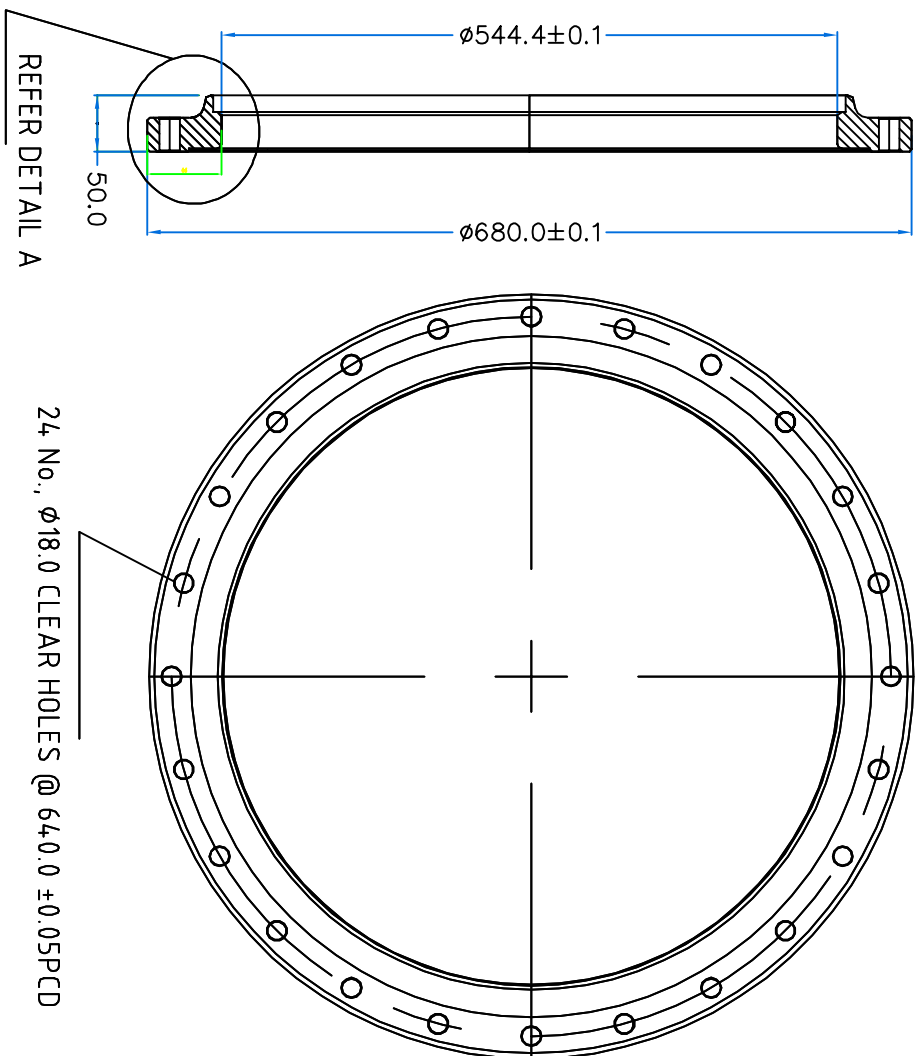
| | | | | | | | |
|-----------------|------------------|------------|-------------------------|-------|------------|-----------|--------|
| TYPE OF PRODUCT | NAME OF CUSTOMER | DEPT. CODE | GRADE OF TOL DIM. C/M/F | SCALE | WEIGHT(KG) | CARD CODE | TITLE |
| | | | | NTS | 10.0 | | PIPE-3 |

| | | | |
|-------|-------|---------------|-----------------------|
| APPD. | HSJAN | REF. TO | RD DG 4 35 0617 0214A |
| CHKD. | MHRAD | DATE | 26/2/16 |
| DEN. | KSHAD | NO. OF SHEETS | 01 |

| | |
|---------------|----|
| NO. OF SHEETS | 01 |
|---------------|----|

THE INFORMATION ON THIS DOCUMENT IS THE PROPERTY OF BHARAT HEAVY ELECTRICALS LIMITED. IT MUST NOT BE USED DIRECTLY OR INDIRECTLY IN ANY WAY DETRIMENTAL TO THE INTEREST OF THE COMPANY.

| | | |
|---------------|----------------|---------------|
| INVENTORY NO. | SIGN. AND DATE | REF. DRG. NO. |
|---------------|----------------|---------------|



- Note:
1. Sealing area shall be plosished to RA 0.8 or better.
 2. ϕ 18.0 holes shall be chamfered uniformly (0.8x45°).
 3. PCD and flange centre shall be concentric within ± 0.1
 4. Finished flange shall be degreased and packed in 125 micron poly bag and sealed.
 5. Component shall be Machined to dimensions after welding to spherical pipe

FINAL ON 29/05/14

| REV. | DATE | ALTERED | ZONE |
|------|------|---------|------|
| | | CHECKED | |

| REV. | DATE | ALTERED | ZONE |
|------|------|---------|------|
| | | CHECKED | |

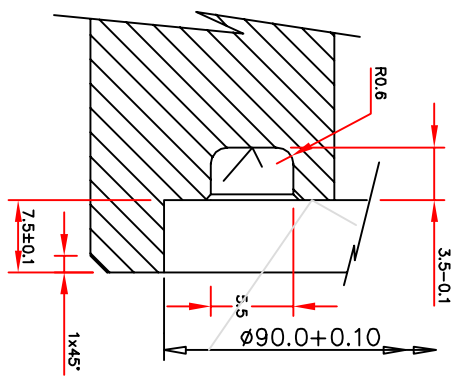
| | | | | | |
|------------------|--|--------------------------------|--|----------------------|--|
| TYPE OF PRODUCT | | SS-304 L | | 45.0 KG | |
| NAME OF CUSTOMER | | GSM-420 | | 02 | |
| DEPT. | | BPHARAT HEAVY ELECTRICALS LTD. | | DATE | |
| GRADE OF | | HYDERABAD | | 26/2/14 | |
| TITLE | | FLANGE II | | DRAWING NO. | |
| SCALE | | NTS | | RD DG 4 35 0617 0950 | |
| WEIGHT(KG) | | 45.0 KG | | NO. OF SHEETS | |
| DIN | | KSND | | SIGN. | |
| CDD | | MHRAD | | DATE | |
| APPD | | HSJAN | | 26/2/14 | |
| REF. TO | | RD DG 4 35 0617 0950 | | NO. OF SHEETS | |
| SHEET NO. | | RD DG 4 35 0617 0951 | | REV. | |

THE INFORMATION ON THIS DOCUMENT IS THE PROPERTY OF BHARAT HEAVY ELECTRICALS LIMITED.
 IT MUST NOT BE USED DIRECTLY OR INDIRECTLY IN ANY WAY DETRIMENTAL TO THE INTEREST OF THE COMPANY.

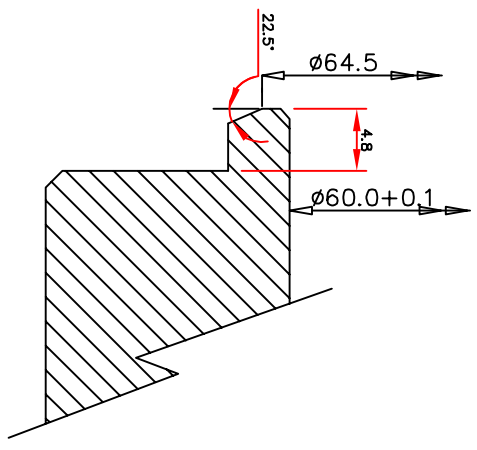
| | | |
|---------------|----------------|---------------|
| INVENTORY NO. | SIGN. AND DATE | REF. DRG. NO. |
|---------------|----------------|---------------|

O-RING GROOVE SURFACE SHALL BE FINISHED TO RA 0.8
 MARKED SURFACE SHALL BE FINISHED TO RA 1.6

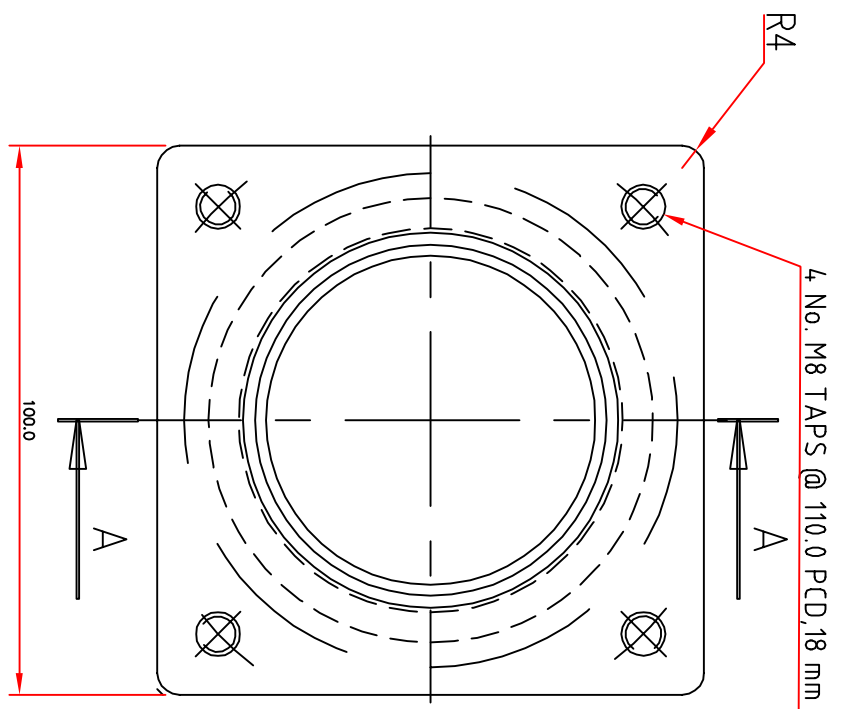
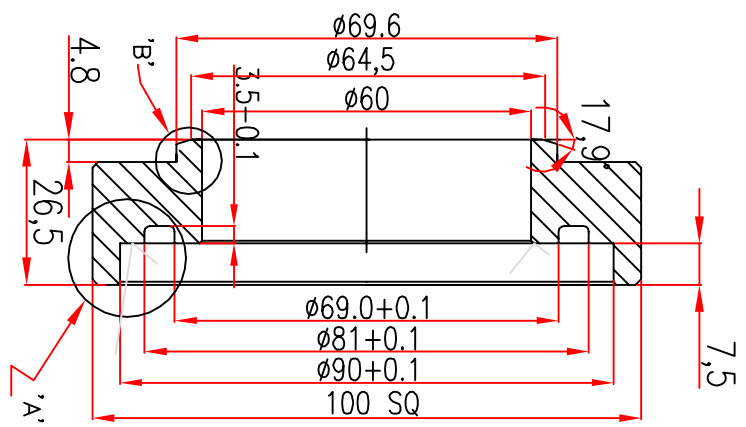
ENLARGED VIEW 'A'



ENLARGED VIEW 'B'



SECTION AA



| | | | | | | | | | | | | | | | |
|----------|---------|----------|----------|----|----------|-------------|------------------|-------------|--------|------------|---|------|-----|------|------|
| VAR. NO. | REMARKS | VAR. NO. | ITEM NO. | 01 | SS PLATE | DESCRIPTION | 105.0 SQ x 300.0 | DRAWING NO. | SS 304 | MATL. CODE | A | UNIT | WT. | QTY. | ZONE |
|----------|---------|----------|----------|----|----------|-------------|------------------|-------------|--------|------------|---|------|-----|------|------|

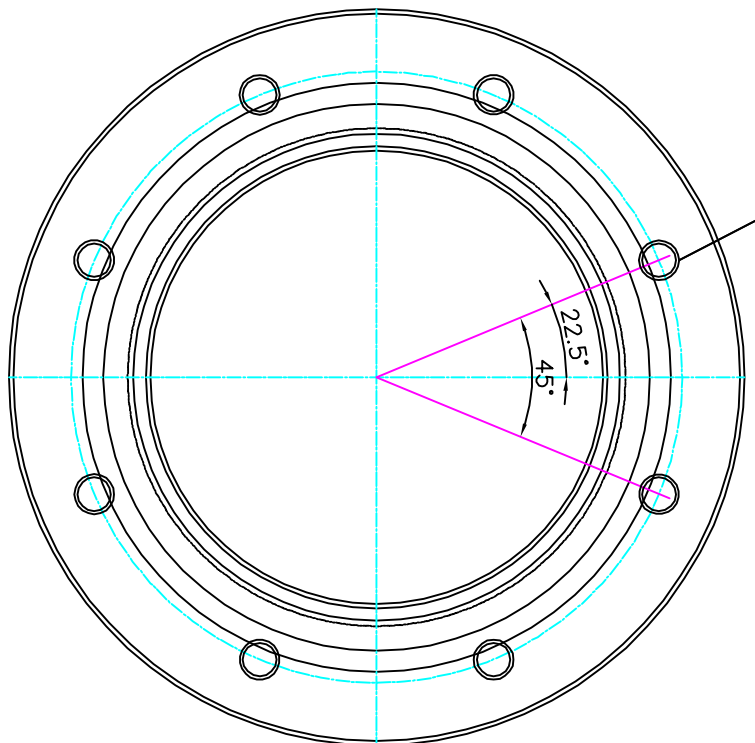
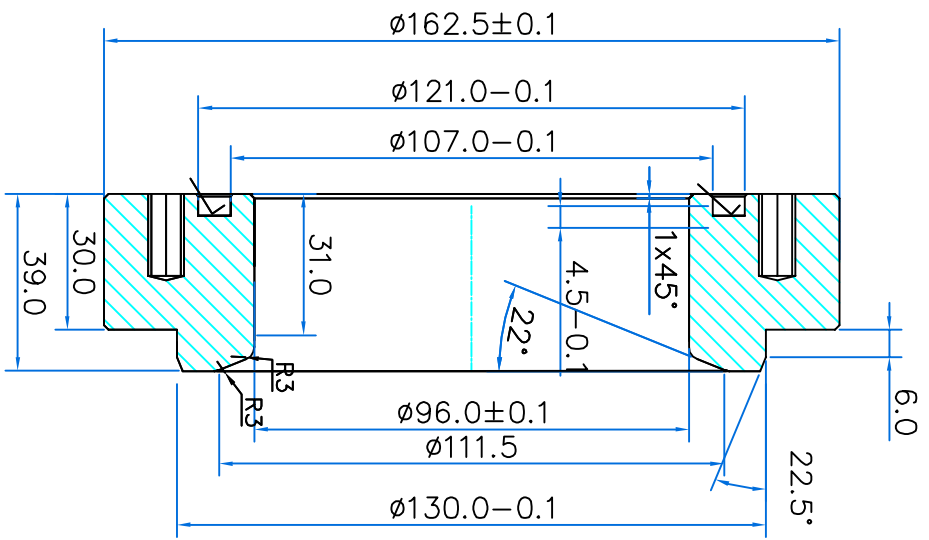
TYPE OF PRODUCT: GSM 145
 NAME OF CUSTOMER: BHARAT HEAVY ELECTRICALS LTD. HYDERABAD

| | | | | | |
|-------|----|------|-------|----------|--------|
| DEN | KS | NAME | SIGN. | DATE | NO. OF |
| CHKD | MM | RAO | | 01.02.03 | VAR. |
| APPRO | HS | JAIN | | 01.02.03 | |

| | | | | |
|---------|-------|------------|------------|--------|
| DEPT | SCALE | WEIGHT(KG) | REF. TO | NO. OF |
| GSE | NTS | | RD DG 4 35 | ITEM |
| CODE 35 | | | | NO. |

| | | | |
|-----------|---------------|-----------|---------------|
| TITLE | CARD CODE | SHEET NO. | NO. OF SHEETS |
| FLANGE IV | RD 99 320 610 | 0 | 2 |

| | | | | | |
|------|------|---------|------|------|---------|
| REV. | DATE | ALTERED | REV. | DATE | ALTERED |
| | | CHECKED | | | CHECKED |
| ZONE | | | ZONE | | |



8 No. M8 TAPS @ 135.0 PCD, 20.0 deep

ALL SHARP EDGES SHALL BE MACHINED TO 0.4x45°.
 MARKED SURFACE SHALL BE FINISHED TO RA0.8

| | | |
|---------------|----------------|---------------|
| INVENTORY NO. | SIGN. AND DATE | REF. DRG. NO. |
|---------------|----------------|---------------|

THE INFORMATION ON THIS DOCUMENT IS THE PROPERTY OF BHARAT HEAVY ELECTRICALS LIMITED.
 IT MUST NOT BE USED DIRECTLY OR INDIRECTLY IN ANY WAY DETRIMENTAL TO THE INTEREST OF THE COMPANY.

| REV. | DATE | ALTERED | REV. | DATE | ALTERED |
|------|------|---------|------|------|---------|
| ZONE | | CHECKED | ZONE | | CHECKED |

| | | | | | | | | | | |
|------------|-------|------------|----------------------|------|----------|-------|------|-------|----------|---------------|
| DEPT. CODE | SCALE | WEIGHT(KG) | DRAWING NO. | VAR. | DATE | APPD. | NAME | SIGN. | DATE | NO. OF SHEETS |
| | NTS | | RD DG 4 35 1133 4160 | | 15.02.16 | AL | AL | | 15.02.16 | 01 |

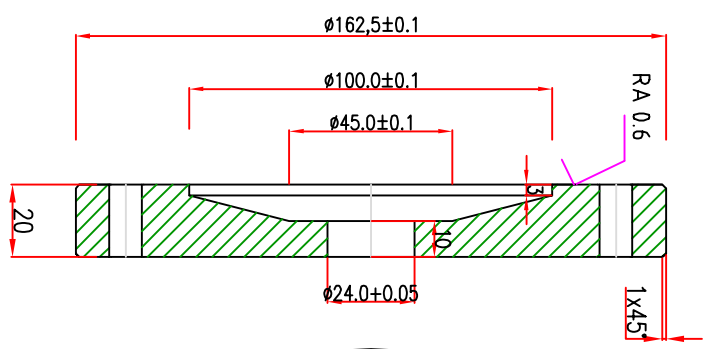
| | | | |
|-----------------|------------------|----------|----------|
| TYPE OF PRODUCT | NAME OF CUSTOMER | SS BLANK | CGSM 145 |
|-----------------|------------------|----------|----------|

| VAR. | REMARKS | VAR. NO. | ITEM NO. | DESCRIPTION | DRIVING IN. | TRD. | MATL. CODE | A | L | M | U | W | WT. | QTY. | ZONE |
|------|---------|----------|----------|-------------|-------------|------|------------|---|---|---|---|---|-----|------|------|
| | | | 01 | SS BLANK | | | SS-304L | | | | | | 01 | | |

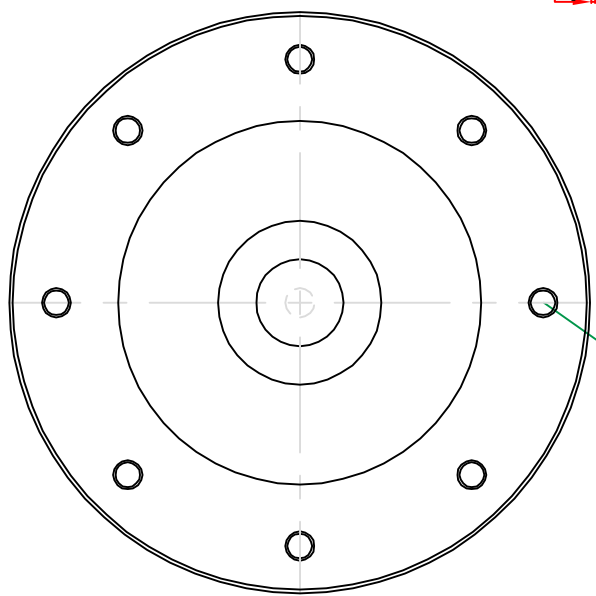
| | | | | | |
|------|-----|----------|----|-------|-------|
| REV. | NO. | DATE | BY | CHKD. | APPD. |
| 01 | 2 | 15.02.16 | AL | AL | AL |

THE INFORMATION ON THIS DOCUMENT IS THE PROPERTY OF BHARAT HEAVY ELECTRICALS LIMITED. IT MUST NOT BE USED DIRECTLY OR INDIRECTLY IN ANY WAY DETRIMENTAL TO THE INTEREST OF THE COMPANY.

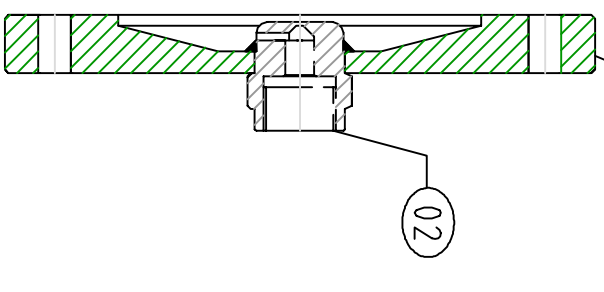
INVENTORY NO. SIGN. AND DATE REF. DRG. NO.



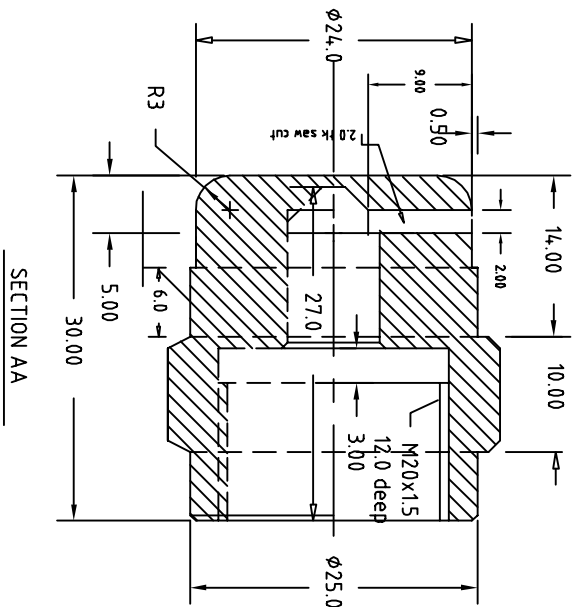
FLANGE-G (1)



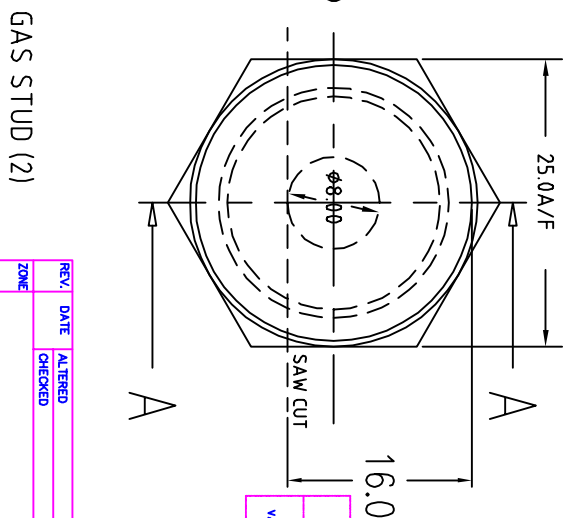
8 NO., 9.2 CLEAR HOLES
@135±0.07 PCD WITH 0.4X45° C/F



ASSEMBLY



SECTION AA



GAS STUD (2)

| REV. | DATE | ALTERED | ZONE |
|------|------|---------|------|
| | | CHECKED | |

| REV. | DATE | ALTERED | ZONE |
|------|------|---------|------|
| | | CHECKED | |

| VAR NO. | REMARKS | VAR NO. | ITEM NO. | DESCRIPTION | STD | DRAWING NO. | VAR | ITEM NO. | MATL. CODE | MATL. SPEC. | UNIT | QTY. | ZONE |
|---------|---------|---------|----------|-------------|-----|-------------|-----|----------|------------|-------------|------|--------|------|
| 02 | | | 01 | FLANGE-G | | | | | SS-304L | | 01 | 2.3 KG | |
| | | | | | | | | | SS-304L | | 01 | 01 | |

TYPE OF PRODUCT
NAME OF CUSTOMER
GSM 420

BHARAT HEAVY ELECTRICALS LTD.
HYDERABAD

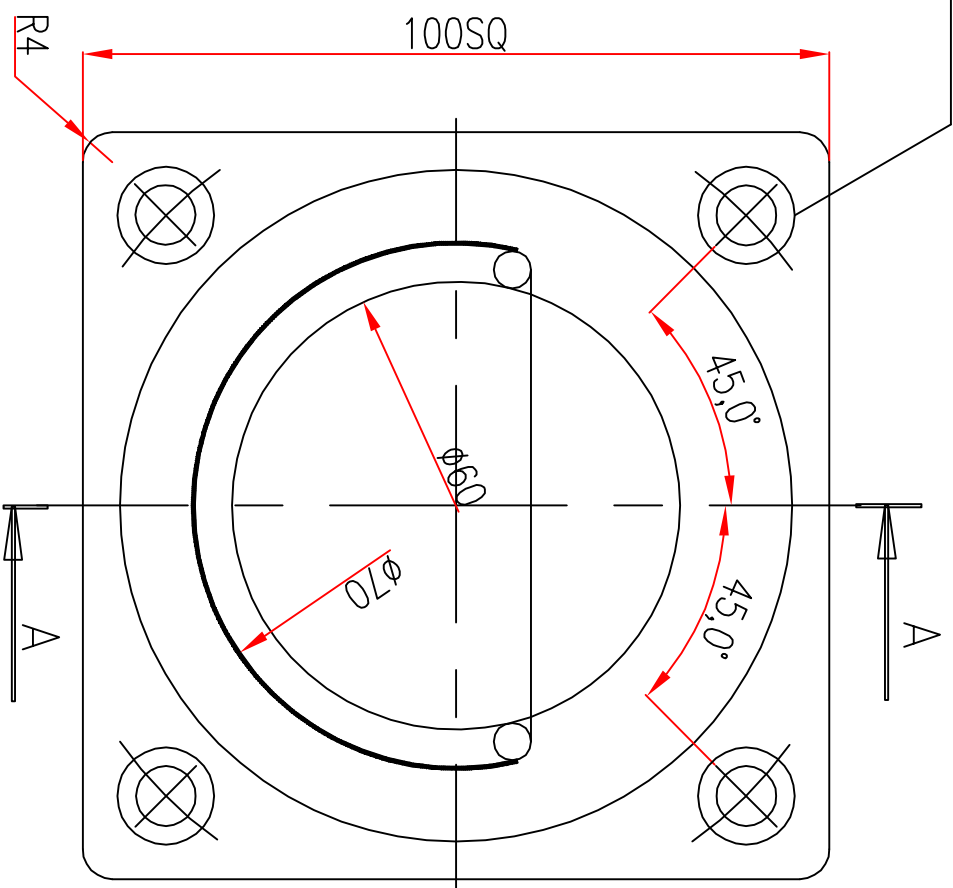
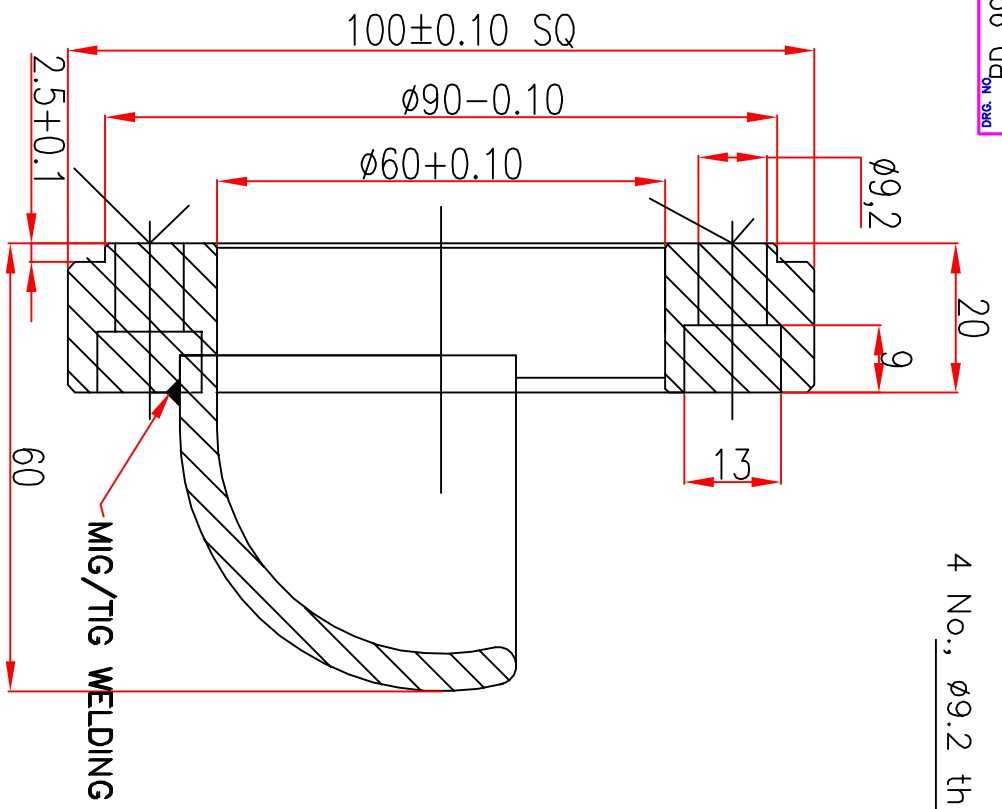
| DEPT. | GRADE OF | SCALE | WEIGHT(KG) | DATE | SIGN. | NO. OF |
|-------|-----------------|-------|------------|------|-------|--------|
| | TOL. DIM. C/M/F | NTS | 2.5 | | | |

FLANGE-V

| DEN | NAME | DATE | NO. OF |
|------|-------|----------|--------|
| CKD | KSHAD | 26/01/16 | 01 |
| APPD | HSHAM | 09/01/16 | 01 |

RD DG 4 35 0619 6610 08 2

4 No., $\phi 9.2$ through Holes With Counters @ 110.0 PCD



SECTION AA

MIG/TIG WELDING

| | | |
|---------------|---------------|---------------|
| INVENTORY NO. | SGN. AND DATE | REF. DRG. NO. |
|---------------|---------------|---------------|

THE INFORMATION ON THIS DOCUMENT IS THE PROPERTY OF BHARAT HEAVY ELECTRICALS LIMITED. IT MUST NOT BE USED DIRECTLY OR INDIRECTLY IN ANY WAY DETRIMENTAL TO THE INTEREST OF THE COMPANY.

WELDING SHALL BE HOMOGENEOUS AND CONTINUOUS.
 MARKED SURFACE SHALL BE FINISHED TO RA 1.6

| | | | | | |
|------|------|---------|------|------|---------|
| REV. | DATE | ALTERED | REV. | DATE | ALTERED |
| ZONE | | CHECKED | ZONE | | CHECKED |

TYPE OF PRODUCT
 NAME OF CUSTOMER
GSM 145

DEPT. **GSM** GRADE OF **TS**
 CODE **35** C/M/F

SCALE **NTS**

WEIGHT(KG)

DIN **KS** NAME **RD 99 320 632** SIGN. **01** DATE **01.02.03** NO. OF **01**
 CMO **MM** RAO **RD 99 320 631** VARK. **01.02.03**
 APPD. **HS** JAIN **RD 99 320 631** 01.02.03

| | | | | |
|----|------------------|---------------|----------|----|
| 02 | PROTECTIVE COVER | RD 99 320 632 | SS 304-L | 01 |
| 01 | FLANGE | RD 99 320 631 | SS 304-L | 01 |

TITLE **RUPTURE DISK COVER**

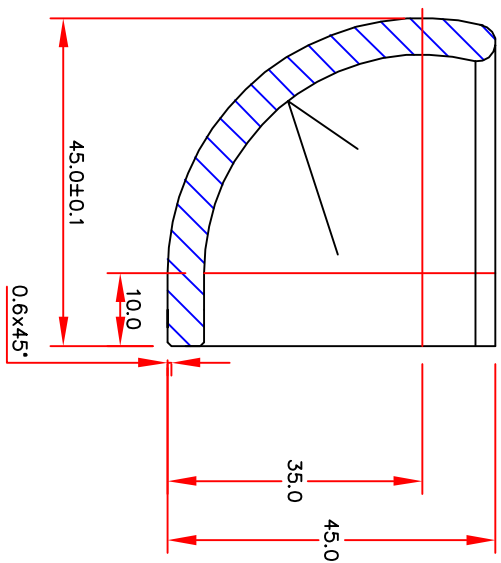
CARD CODE **RD DG 4 35 0619 6610 09**

SHEET NO. **RD 99 320 630**

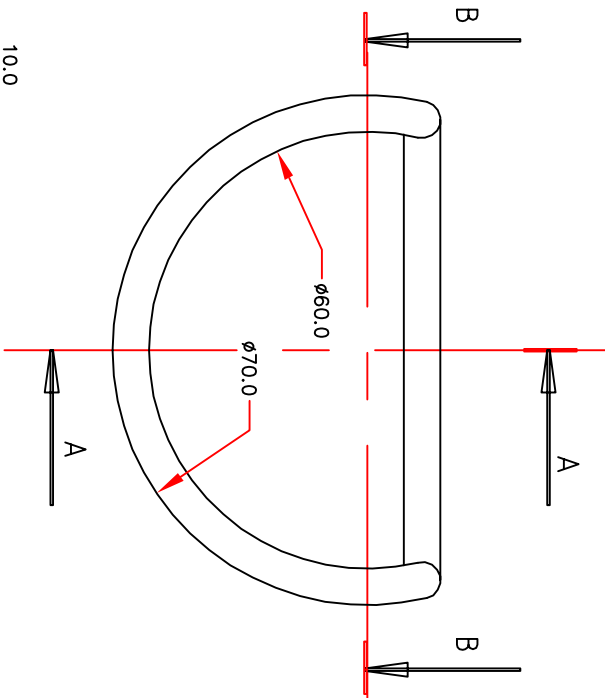
NO. OF SHEETS **0**

THE INFORMATION ON THIS DOCUMENT IS THE PROPERTY OF BHARAT HEAVY ELECTRICALS LIMITED. IT MUST NOT BE USED DIRECTLY OR INDIRECTLY IN ANY WAY DETRIMENTAL TO THE INTEREST OF THE COMPANY.

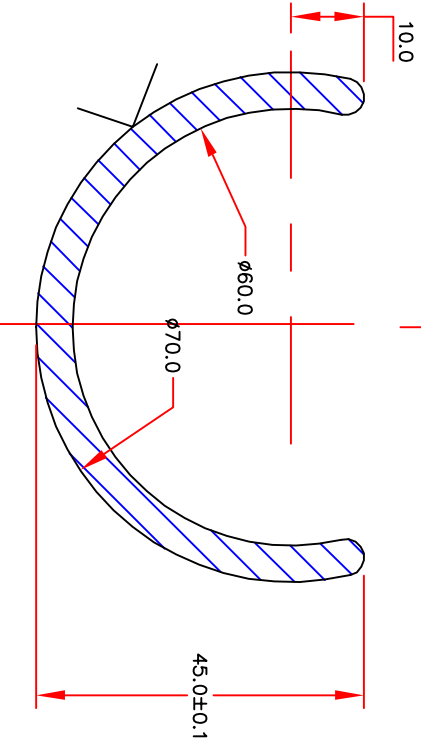
INVENTORY NO. SIGN. AND DATE REF. DRG. NO.



SECTION AA



SECTION BB



SURFACE SHALL BE FINISHED TO RA1.6
 COMPONENT SHALL BE MADE USING SUITABLE PATTERN.
 ALL SHARP EDGES SHALL BE MACHINED TO 0.4x45°

| VAR NO. | REMARKS | VAR NO. | ITEM NO. | DESCRIPTION | STD | DRAWING NO. | ITEM NO. | MATL. CODE | MATL. SPEC. | C | UNIT | QTY. | ZONE |
|---------|---------|---------|----------|-------------|-----|-------------|----------|------------|-------------|---|------|------|------|
| | | 01 | | SS PLATE | | | | SS 304-L | | A | | | |

TYPE OF PRODUCT: GSM 145
 NAME OF CUSTOMER: BHARAT HEAVY ELECTRICALS LTD. HYDERABAD



BHARAT HEAVY ELECTRICALS LTD.
 HYDERABAD

| REV. | DATE | ALTERED | REV. | DATE | ALTERED | DEPT. | GRADE OF | SCALE | WEIGHT(KG) | DRAWING NO. | CARD CODE | REV. |
|------|------|---------|------|------|---------|-------|-----------|-------|------------|---------------|---------------|------|
| | | CHECKED | | | CHECKED | GSE | TOL. DIM. | MIS | | RD 99 320 630 | RD 99 320 630 | 02 1 |
| | | | | | | 35 | C/M/F | | | RD 99 320 632 | RD 99 320 632 | 0 |

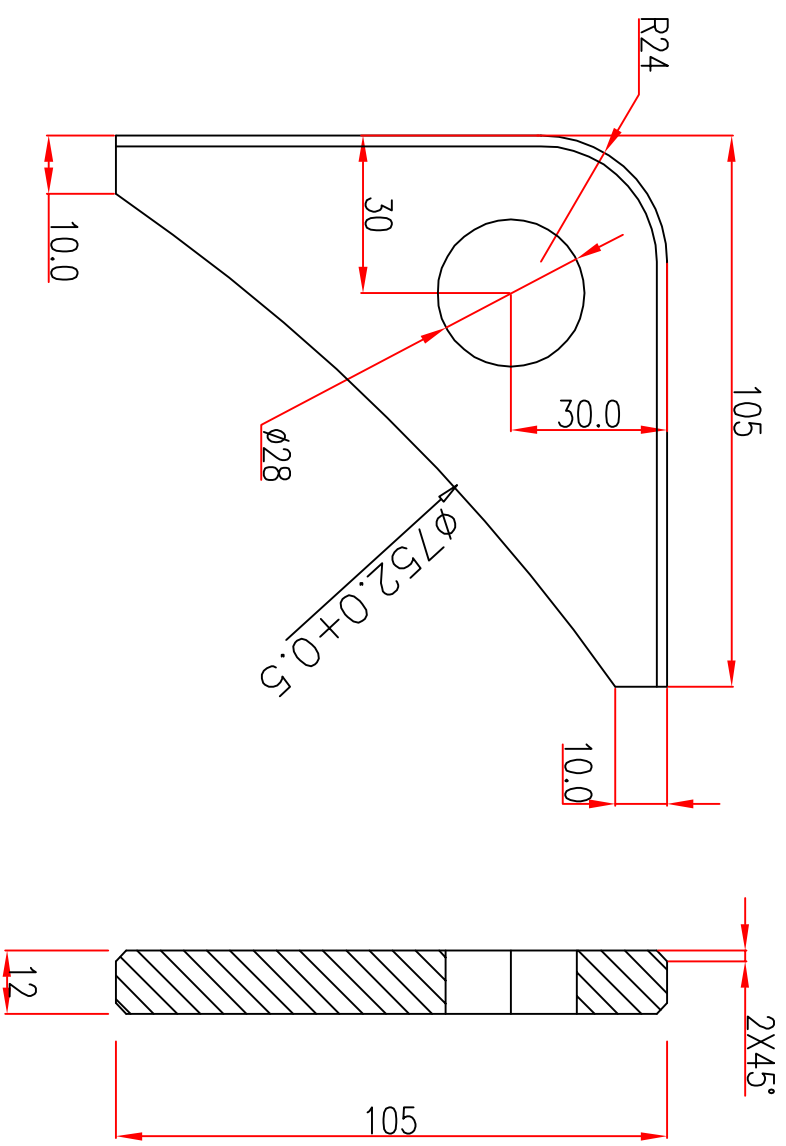
PROTECTIVE COVER

| NAME | SIGN. | DATE | NO. OF |
|--------------|-------|----------|--------|
| DRN HS RAO | | 01.02.03 | VAR. |
| CHK IM RAO | | 01.02.03 | VAR. |
| APPD HS JAIN | | 01.02.03 | VAR. |

| REV. | NO. OF | NO. OF |
|------|--------|--------|
| 02 | 1 | 1 |
| 0 | 1 | 1 |

THE INFORMATION ON THIS DOCUMENT IS THE PROPERTY OF BHARAT HEAVY ELECTRICALS LIMITED.
IT MUST NOT BE USED DIRECTLY OR INDIRECTLY IN ANY WAY DETRIMENTAL TO THE INTEREST OF THE COMPANY.

| | | |
|---------------|----------------|---------------|
| INVENTORY NO. | SIGN. AND DATE | REF. DRG. NO. |
|---------------|----------------|---------------|



ALL SHARP EDGES SHALL BE MACHINED TO 0.4x45°

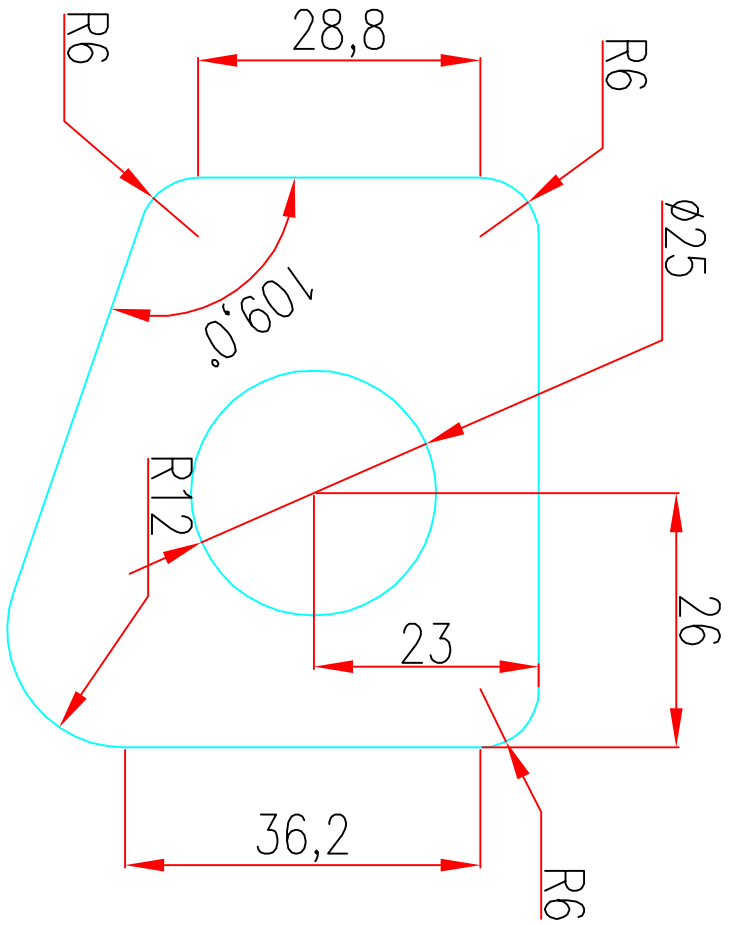
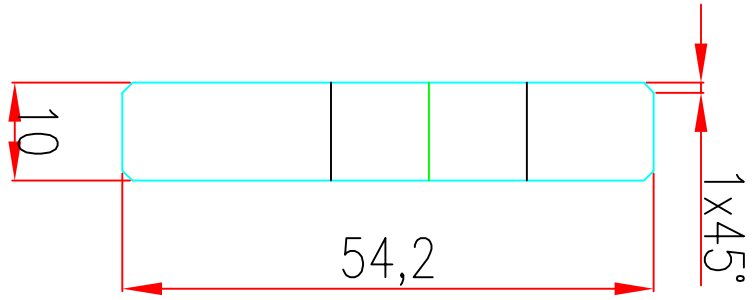
| | | | | | | | | |
|--------|---------|---------|----------|----|----------|---------|----|------|
| VAR NO | REMARKS | VAR NO. | ITEM NO. | 01 | SS PLATE | SS-304L | 06 | ZONE |
|--------|---------|---------|----------|----|----------|---------|----|------|

TYPE OF PRODUCT
NAME OF CUSTOMER
GSM 420

| | | | | | | | | |
|------------|--------------------------|-------|------------|----------|------|-------|----------|--------|
| DEPT. CODE | GRADE OF TOL. DIM. C/M/F | SCALE | WEIGHT(KG) | DRN. NO. | NAME | SIGN. | DATE | NO. OF |
| | | NTS | | AL | AL | | 15.02.16 | 01 |

| | | | | | |
|------|------|-----------------|------|------|-----------------|
| REV. | DATE | ALTERED CHECKED | REV. | DATE | ALTERED CHECKED |
| ZONE | | | ZONE | | |

| | | | |
|------------------|----------------------|-----------|---------------|
| TITLE | CARD CODE | SHEET NO. | NO. OF SHEETS |
| LIFTING BRACKETS | RD DG 4 35 0619 6613 | | |



| VAR. NO. | REMARKS | VAR. NO. | ITEM NO. | DESCRIPTION | STB | DRAWING NO. | ITEM NO. | MATL. CODE | MATL. SPECN. | UNIT | LIMIT WT. | QTY. | ZONE |
|----------|----------|----------|----------|-------------|-----|-------------|----------|------------|--------------|------|-----------|------|------|
| 01 | SS BLANK | | | | | | | SS-304L | | | 04 | | |

TYPE OF PRODUCT: GSM 420
NAME OF CUSTOMER:



BHARAT HEAVY ELECTRICALS LTD.
HYDERABAD

| | | | | |
|-------------|---------|-------|----------|--------|
| DRN. AL. | NAME | SIGN. | DATE | NO. OF |
| APPD. MMRAD | REF. TO | | 15.02.16 | 04 |

| REV. | DATE | ALTERED | REV. | DATE | ALTERED |
|------|------|---------|------|------|---------|
| | | CHECKED | | | CHECKED |

| | | | | | | | | |
|------------|--------------------------|-------|------------|-------------|---------|-------|----------|--------|
| DEPT. CODE | GRADE OF TOL. DIM. C/M/F | SCALE | WEIGHT(KG) | DRN. AL. | NAME | SIGN. | DATE | NO. OF |
| | | | | APPD. MMRAD | REF. TO | | 15.02.16 | 04 |

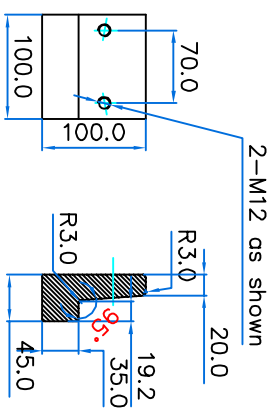
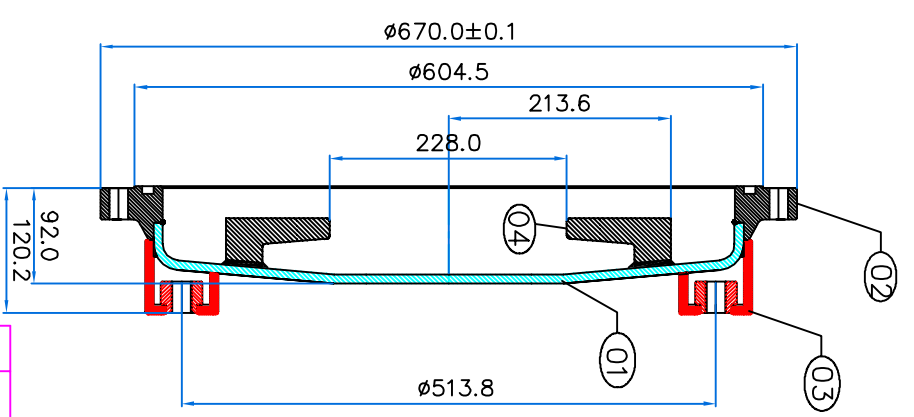
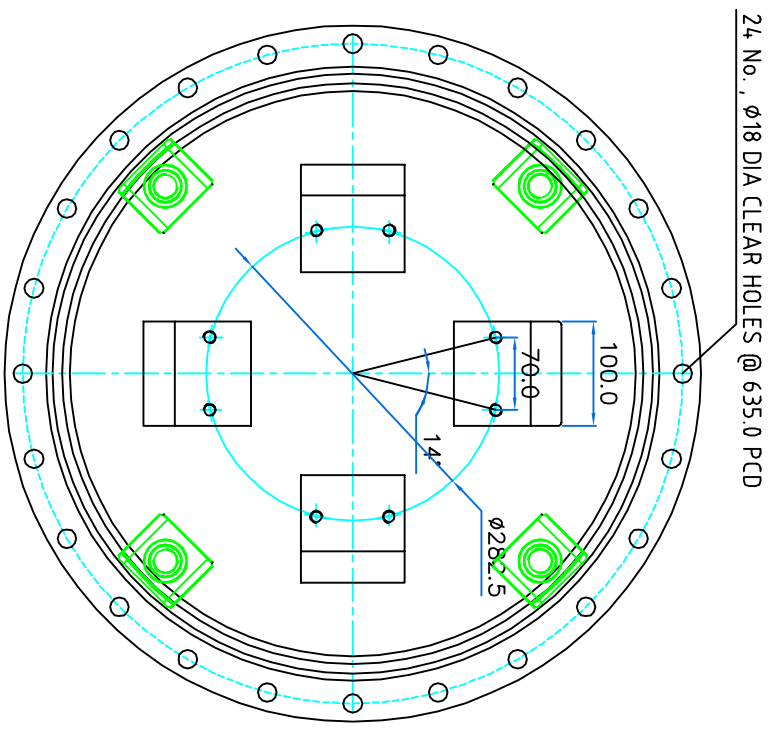
LIFTING LUG

RD DG 4 35 0619 6614

SHEET NO. NO. OF SHEETS

THE INFORMATION ON THIS DOCUMENT IS THE PROPERTY OF BHARAT HEAVY ELECTRICALS LIMITED. IT MUST NOT BE USED DIRECTLY OR INDIRECTLY IN ANY WAY DETRIMENTAL TO THE INTEREST OF THE COMPANY.

INVENTORY NO. SIGN. AND DATE REF. DRG. NO.



04 SUPPORT
QTY : 4 Nos

Note:

1. FLANGE TO BE TIG / MIG WELDING WITH SUITABLE SS ELECTRODE
2. THE ROOT SHOULD BE HOMOGENEOUS AND CONTINUOUS.
3. TESTED ASSEMBLIES TO BE DEGREASED, SAND BLASTED AND POWDER COATED ON OUTSIDE.
4. ELECTRO POLISH INSIDE SURFACE.
5. ALL WELDINGS SHALL BE GROUNDED TO DIMENSIONS.
6. FLANGES SHALL BE MACHINED TO DRAWING AFTER WELDING TO DISH.

| VAR NO | REMARKS | VAR NO | ITEM NO | DESCRIPTION | QTY | DRAWING NO | ITEM NO | MATL CODE | UNIT | QTY |
|--------|---------|--------|---------|-------------|-----|----------------------|---------|-----------|------|-----|
| 01 | | | 01 | DISH | | RD DG 4 35 0619 6622 | | SS-304L | 01 | |
| 02 | | | 02 | FLANGE | | RD DG 4 35 0520 6622 | | SS-304L | 01 | |
| 03 | | | 03 | BRACKET | | RD 99 320 700 | | SS-304L | 04 | |
| 04 | | | 04 | SUPPORT | | 100x100x45 | | SS-304L | 04 | |

TYPE OF PRODUCT
NAME OF CUSTOMER
GSM-420

BHARAT HEAVY ELECTRICALS LTD.
HYDERABAD

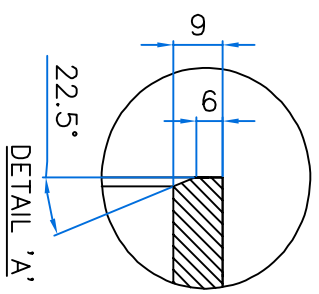
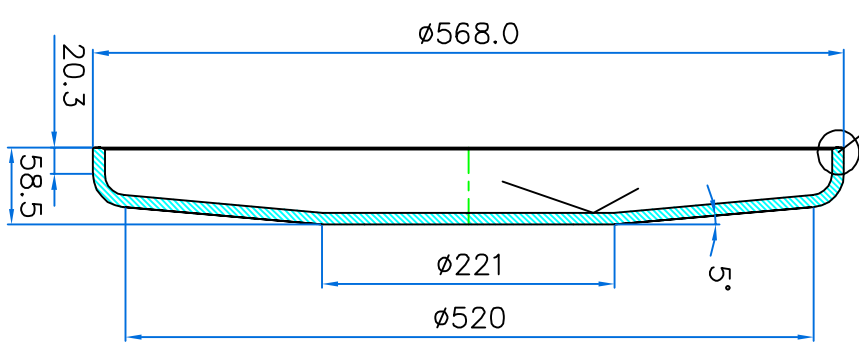
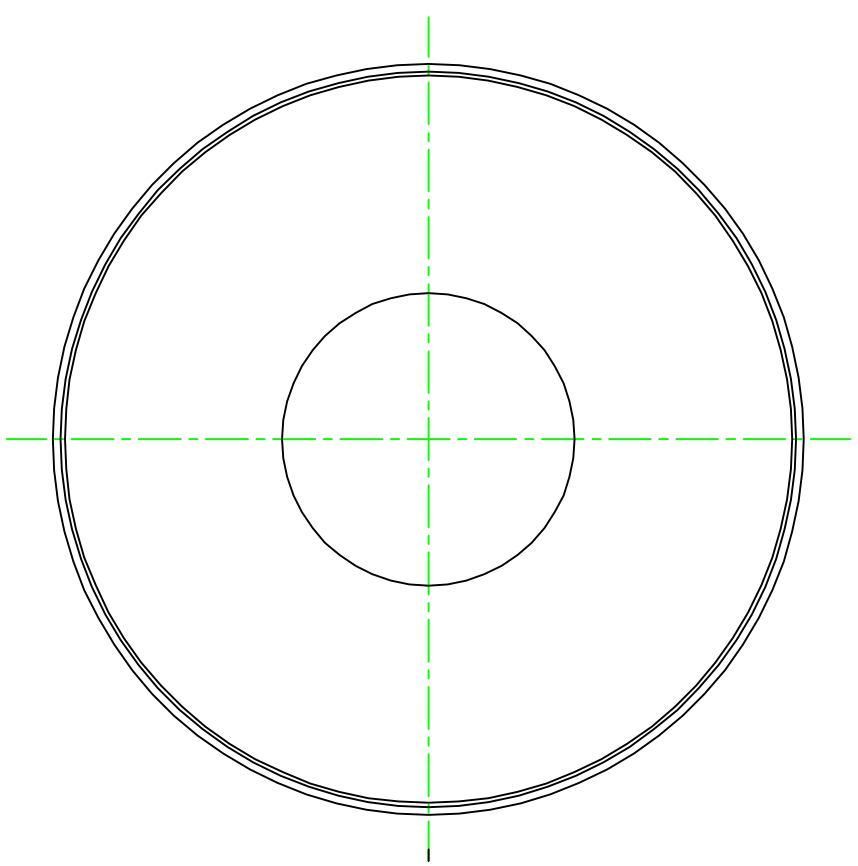
DRN AL
AL
MARRAO

DATE 15.02.16
15.02.16
15.02.16

| REV. | DATE | ALTERED CHECKED | REV. | DATE | ALTERED CHECKED | DEPT. | GRADE OF C/A/P/M | SCALE | WEIGHT(KG) | CARD CODE | DRAWING NO. | SHEET NO. | NO. OF SHEETS |
|------|------|-----------------|------|------|-----------------|-------|------------------|-------|------------|----------------------|----------------------|-----------|---------------|
| | | | | | | | | | | RD DG 4 35 0619 6600 | RD DG 4 35 0619 6620 | | |

DISH ASSY

(ALL DIMENSIONS ARE IN mm)
REFER DETAIL 'A'



ALL SHARP EDGES SHALL BE MACHINED TO 0.4X45°
COMPONENT SHALL MATCH FLANGE

| VAR. NO. | REMARKS | VAR. NO. | ITEM NO. | DESCRIPTION | EQ. | DRAWING NO. | TRAD. | MATL. CODE | MATL. SPEC. | C | UNIT | QTY. | NOZ |
|----------|---------|----------|----------|-------------|-----|-------------|-------|------------|-------------|---|------|------|-----|
| 01 | | | | DISH | | | | SS-304L | | | | | |

TYPE OF PRODUCT: **GSM-420**

NAME OF CUSTOMER: **BHARAT HEAVY ELECTRICALS LTD. HYDERABAD**

DRN: AL, NAME: AL, SIGN: AL, DATE: 15.02.16

APPD: MMRAO, REF. TO: RD DG 4 35 0619 6620

SCALE: **1:1**

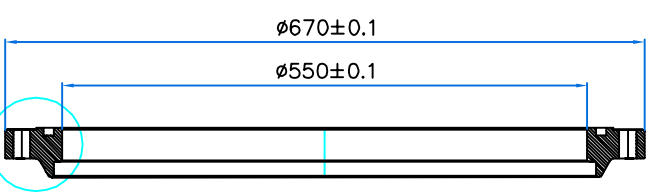
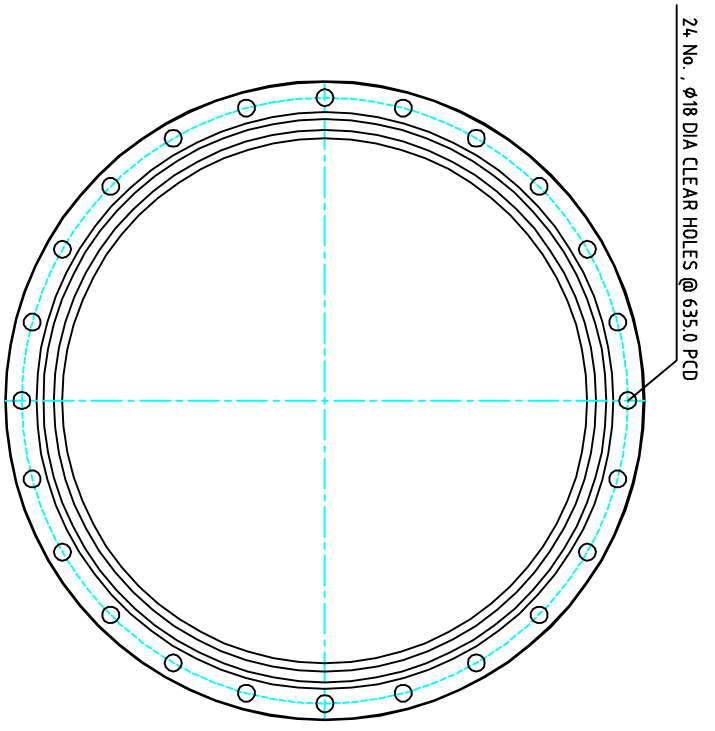
WEIGHT(G):

NO. OF SHEETS: 1

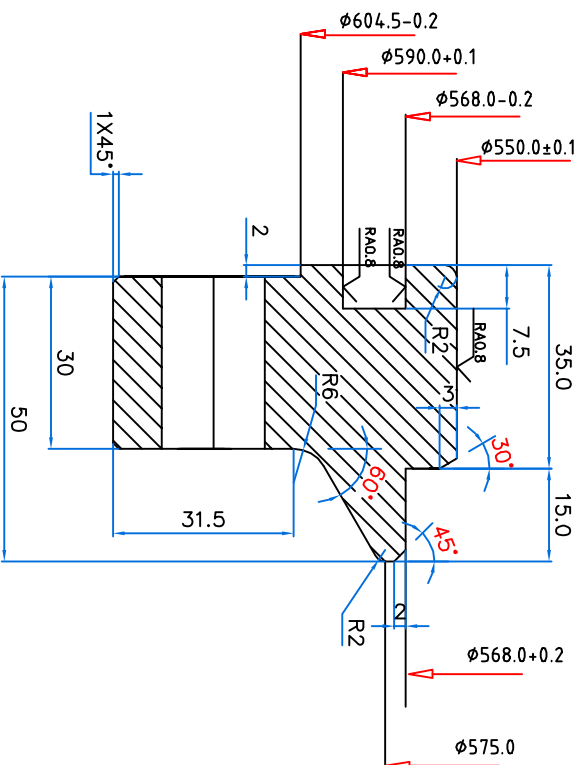
| REV. | DATE | ALTERED | REV. | DATE | ALTERED | TITLE | CARD | NO. OF |
|------|------|---------|------|------|---------|-------|----------------------|--------|
| ZONE | | CHECKED | ZONE | | CHECKED | DISH | CODE | SHEETS |
| | | | | | | | RD DG 4 35 0619 6621 | 1 |

THE INFORMATION ON THIS DOCUMENT IS THE PROPERTY OF BHARAT HEAVY ELECTRICALS LIMITED.
IT MUST NOT BE USED DIRECTLY OR INDIRECTLY IN ANY WAY DETRIMENTAL TO THE INTEREST OF THE COMPANY.

| | | |
|---------------|----------------|---------------|
| INVENTORY NO. | SIGN. AND DATE | REF. DRG. NO. |
|---------------|----------------|---------------|



REFER DETAIL 'A'



DETAIL 'A'

- Note:**
1. Sealing area shall be polished to RA 0.8 or better.
 2. Ø18 holes shall be chamfered uniformly (0.8x45°).
 3. PCD and flange centre shall be concentric within ±0.05
 4. Finished flange shall be degreased and packed in 125 micron poly bag and sealed.
 5. Component shall be Machined to dimensions after welding to dish

| | | | | | | | |
|----------|-----------|----------|----------|----|--------|---------|----|
| VAR. NO. | REVISIONS | VAR. NO. | ITEM NO. | 01 | FLANGE | SS-304L | 01 |
| | | | | | | | |

TYPE OF PRODUCT: GSM-245
NAME OF CUSTOMER: BHARAT HEAVY ELECTRICALS LTD. HYDERABAD

| | | | | | | | |
|------------|----------------------|-------|------------|-------------|---------|----------|----|
| DEPT. CODE | GRADE OF TITLE C/M/F | SCALE | WEIGHT(KG) | DRAWING NO. | SS-304L | UNIT WT. | 01 |
| | | | | | | | |

| | | | | |
|-----------|-----------------|-----------|-----------------|------|
| REV. DATE | ALTERED CHECKED | REV. DATE | ALTERED CHECKED | ZONE |
| | | | | |

| | | |
|-----------|-----------------|------|
| REV. DATE | ALTERED CHECKED | ZONE |
| | | |

| | | |
|-----------|-----------------|------|
| REV. DATE | ALTERED CHECKED | ZONE |
| | | |

| | | |
|-----------|-----------------|------|
| REV. DATE | ALTERED CHECKED | ZONE |
| | | |

| | | |
|-----------|-----------------|------|
| REV. DATE | ALTERED CHECKED | ZONE |
| | | |

| | | |
|-----------|-----------------|------|
| REV. DATE | ALTERED CHECKED | ZONE |
| | | |

| | | |
|-----------|-----------------|------|
| REV. DATE | ALTERED CHECKED | ZONE |
| | | |

| | | |
|-----------|-----------------|------|
| REV. DATE | ALTERED CHECKED | ZONE |
| | | |

| | | |
|-----------|-----------------|------|
| REV. DATE | ALTERED CHECKED | ZONE |
| | | |

| | | |
|-----------|-----------------|------|
| REV. DATE | ALTERED CHECKED | ZONE |
| | | |

| | | |
|-----------|-----------------|------|
| REV. DATE | ALTERED CHECKED | ZONE |
| | | |

| | | |
|-----------|-----------------|------|
| REV. DATE | ALTERED CHECKED | ZONE |
| | | |

| | | |
|-----------|-----------------|------|
| REV. DATE | ALTERED CHECKED | ZONE |
| | | |

| | | |
|-----------|-----------------|------|
| REV. DATE | ALTERED CHECKED | ZONE |
| | | |

| | | |
|-----------|-----------------|------|
| REV. DATE | ALTERED CHECKED | ZONE |
| | | |

| | | |
|-----------|-----------------|------|
| REV. DATE | ALTERED CHECKED | ZONE |
| | | |

| | | |
|-----------|-----------------|------|
| REV. DATE | ALTERED CHECKED | ZONE |
| | | |

| | | |
|-----------|-----------------|------|
| REV. DATE | ALTERED CHECKED | ZONE |
| | | |

| | | |
|-----------|-----------------|------|
| REV. DATE | ALTERED CHECKED | ZONE |
| | | |

| | | |
|-----------|-----------------|------|
| REV. DATE | ALTERED CHECKED | ZONE |
| | | |

| | | |
|-----------|-----------------|------|
| REV. DATE | ALTERED CHECKED | ZONE |
| | | |

| | | |
|-----------|-----------------|------|
| REV. DATE | ALTERED CHECKED | ZONE |
| | | |

| | | |
|-----------|-----------------|------|
| REV. DATE | ALTERED CHECKED | ZONE |
| | | |

| | | |
|-----------|-----------------|------|
| REV. DATE | ALTERED CHECKED | ZONE |
| | | |

| | | |
|-----------|-----------------|------|
| REV. DATE | ALTERED CHECKED | ZONE |
| | | |

| | | |
|-----------|-----------------|------|
| REV. DATE | ALTERED CHECKED | ZONE |
| | | |

| | | |
|-----------|-----------------|------|
| REV. DATE | ALTERED CHECKED | ZONE |
| | | |

| | | |
|-----------|-----------------|------|
| REV. DATE | ALTERED CHECKED | ZONE |
| | | |

| | | |
|-----------|-----------------|------|
| REV. DATE | ALTERED CHECKED | ZONE |
| | | |

| | | |
|-----------|-----------------|------|
| REV. DATE | ALTERED CHECKED | ZONE |
| | | |

| | | |
|-----------|-----------------|------|
| REV. DATE | ALTERED CHECKED | ZONE |
| | | |

| | | |
|-----------|-----------------|------|
| REV. DATE | ALTERED CHECKED | ZONE |
| | | |

| | | |
|-----------|-----------------|------|
| REV. DATE | ALTERED CHECKED | ZONE |
| | | |

| | | |
|-----------|-----------------|------|
| REV. DATE | ALTERED CHECKED | ZONE |
| | | |

| | | |
|-----------|-----------------|------|
| REV. DATE | ALTERED CHECKED | ZONE |
| | | |

| | | |
|-----------|-----------------|------|
| REV. DATE | ALTERED CHECKED | ZONE |
| | | |

| | | |
|-----------|-----------------|------|
| REV. DATE | ALTERED CHECKED | ZONE |
| | | |

| | | |
|-----------|-----------------|------|
| REV. DATE | ALTERED CHECKED | ZONE |
| | | |

| | | |
|-----------|-----------------|------|
| REV. DATE | ALTERED CHECKED | ZONE |
| | | |

| | | |
|-----------|-----------------|------|
| REV. DATE | ALTERED CHECKED | ZONE |
| | | |

| | | |
|-----------|-----------------|------|
| REV. DATE | ALTERED CHECKED | ZONE |
| | | |

| | | |
|-----------|-----------------|------|
| REV. DATE | ALTERED CHECKED | ZONE |
| | | |

| | | |
|-----------|-----------------|------|
| REV. DATE | ALTERED CHECKED | ZONE |
| | | |

| | | |
|-----------|-----------------|------|
| REV. DATE | ALTERED CHECKED | ZONE |
| | | |

| | | |
|-----------|-----------------|------|
| REV. DATE | ALTERED CHECKED | ZONE |
| | | |

| | | |
|-----------|-----------------|------|
| REV. DATE | ALTERED CHECKED | ZONE |
| | | |

| | | |
|-----------|-----------------|------|
| REV. DATE | ALTERED CHECKED | ZONE |
| | | |

| | | |
|-----------|-----------------|------|
| REV. DATE | ALTERED CHECKED | ZONE |
| | | |

| | | |
|-----------|-----------------|------|
| REV. DATE | ALTERED CHECKED | ZONE |
| | | |

| | | |
|-----------|-----------------|------|
| REV. DATE | ALTERED CHECKED | ZONE |
| | | |

| | | |
|-----------|-----------------|------|
| REV. DATE | ALTERED CHECKED | ZONE |
| | | |

| | | |
|-----------|-----------------|------|
| REV. DATE | ALTERED CHECKED | ZONE |
| | | |

| | | |
|-----------|-----------------|------|
| REV. DATE | ALTERED CHECKED | ZONE |
| | | |

| | | |
|-----------|-----------------|------|
| REV. DATE | ALTERED CHECKED | ZONE |
| | | |

| | | |
|-----------|-----------------|------|
| REV. DATE | ALTERED CHECKED | ZONE |
| | | |

| | | |
|-----------|-----------------|------|
| REV. DATE | ALTERED CHECKED | ZONE |
| | | |

| | | |
|-----------|-----------------|------|
| REV. DATE | ALTERED CHECKED | ZONE |
| | | |

| | | |
|-----------|-----------------|------|
| REV. DATE | ALTERED CHECKED | ZONE |
| | | |

| | | |
|-----------|-----------------|------|
| REV. DATE | ALTERED CHECKED | ZONE |
| | | |

| | | |
|-----------|-----------------|------|
| REV. DATE | ALTERED CHECKED | ZONE |
| | | |

| | | |
|-----------|-----------------|------|
| REV. DATE | ALTERED CHECKED | ZONE |
| | | |

| | | |
|-----------|-----------------|------|
| REV. DATE | ALTERED CHECKED | ZONE |
| | | |

| | | |
|-----------|-----------------|------|
| REV. DATE | ALTERED CHECKED | ZONE |
| | | |

| | | |
|-----------|-----------------|------|
| REV. DATE | ALTERED CHECKED | ZONE |
| | | |

| | | |
|-----------|-----------------|------|
| REV. DATE | ALTERED CHECKED | ZONE |
| | | |

| | | |
|-----------|-----------------|------|
| REV. DATE | ALTERED CHECKED | ZONE |
| | | |

| | | |
|-----------|-----------------|------|
| REV. DATE | ALTERED CHECKED | ZONE |
| | | |

| | | |
|-----------|-----------------|------|
| REV. DATE | ALTERED CHECKED | ZONE |
| | | |

| | | |
|-----------|-----------------|------|
| REV. DATE | ALTERED CHECKED | ZONE |
| | | |

| | | |
|-----------|-----------------|------|
| REV. DATE | ALTERED CHECKED | ZONE |
| | | |

| | | |
|-----------|-----------------|------|
| REV. DATE | ALTERED CHECKED | ZONE |
| | | |

| | | |
|-----------|-----------------|------|
| REV. DATE | ALTERED CHECKED | ZONE |
| | | |

| | | |
|-----------|-----------------|------|
| REV. DATE | ALTERED CHECKED | ZONE |
| | | |

| | | |
|-----------|-----------------|------|
| REV. DATE | ALTERED CHECKED | ZONE |
| | | |

| | | |
|-----------|-----------------|------|
| REV. DATE | ALTERED CHECKED | ZONE |
| | | |

| | | |
|-----------|-----------------|------|
| REV. DATE | ALTERED CHECKED | ZONE |
| | | |

| | | |
|-----------|-----------------|------|
| REV. DATE | ALTERED CHECKED | ZONE |
| | | |

| | | |
|-----------|-----------------|------|
| REV. DATE | ALTERED CHECKED | ZONE |
| | | |

| | | |
|-----------|-----------------|------|
| REV. DATE | ALTERED CHECKED | ZONE |
| | | |

| | | |
|-----------|-----------------|------|
| REV. DATE | ALTERED CHECKED | ZONE |
| | | |

| | | |
|-----------|-----------------|------|
| REV. DATE | ALTERED CHECKED | ZONE |
| | | |

| | | |
|-----------|-----------------|------|
| REV. DATE | ALTERED CHECKED | ZONE |
| | | |

| | | |
|-----------|-----------------|------|
| REV. DATE | ALTERED CHECKED | ZONE |
| | | |

| | | |
|-----------|-----------------|------|
| REV. DATE | ALTERED CHECKED | ZONE |
| | | |

| | | |
|-----------|-----------------|------|
| REV. DATE | ALTERED CHECKED | ZONE |
| | | |

| | | |
|-----------|-----------------|------|
| REV. DATE | ALTERED CHECKED | ZONE |
| | | |

| | | |
|-----------|-----------------|------|
| REV. DATE | ALTERED CHECKED | ZONE |
| | | |

| | | |
|-----------|-----------------|------|
| REV. DATE | ALTERED CHECKED | ZONE |
| | | |

| | | |
|-----------|-----------------|------|
| REV. DATE | ALTERED CHECKED | ZONE |
| | | |

| | | |
|-----------|-----------------|------|
| REV. DATE | ALTERED CHECKED | ZONE |
| | | |

| | | |
|-----------|-----------------|------|
| REV. DATE | ALTERED CHECKED | ZONE |
| | | |

| | | |
|-----------|-----------------|------|
| REV. DATE | ALTERED CHECKED | ZONE |
| | | |

| | | |
|-----------|-----------------|------|
| REV. DATE | ALTERED CHECKED | ZONE |
| | | |

| | | |
|-----------|-----------------|------|
| REV. DATE | ALTERED CHECKED | ZONE |
| | | |

| | | |
|-----------|-----------------|------|
| REV. DATE | ALTERED CHECKED | ZONE |
| | | |

| | | |
|-----------|-----------------|------|
| REV. DATE | ALTERED CHECKED | ZONE |
| | | |

| | | |
|-----------|-----------------|------|
| REV. DATE | ALTERED CHECKED | ZONE |
| | | |

| | | |
|-----------|-----------------|------|
| REV. DATE | ALTERED CHECKED | ZONE |
| | | |

| | | |
|-----------|-----------------|------|
| REV. DATE | ALTERED CHECKED | ZONE |
| | | |

| | | |
|-----------|-----------------|------|
| REV. DATE | ALTERED CHECKED | ZONE |
| | | |

| | | |
|-----------|-----------------|------|
| REV. DATE | ALTERED CHECKED | ZONE |
| | | |

| | | |
|-----------|-----------------|------|
| REV. DATE | ALTERED CHECKED | ZONE |
| | | |

| | | |
|-----------|-----------------|------|
| REV. DATE | ALTERED CHECKED | ZONE |
| | | |

| | | |
|-----------|-----------------|------|
| REV. DATE | ALTERED CHECKED | ZONE |
| | | |

| | | |
|-----------|-----------------|------|
| REV. DATE | ALTERED CHECKED | ZONE |
| | | |

| | | |
|-----------|-----------------|------|
| REV. DATE | ALTERED CHECKED | ZONE |
| | | |

| | | |
|-----------|-----------------|------|
| REV. DATE | ALTERED CHECKED | ZONE |
| | | |

| | | |
|-----------|-----------------|------|
| REV. DATE | ALTERED CHECKED | ZONE |
| | | |

| | | |
|-----------|-----------------|------|
| REV. DATE | ALTERED CHECKED | ZONE |
| | | |

| | | |
|-----------|-----------------|------|
| REV. DATE | ALTERED CHECKED | ZONE |
| | | |

| | | |
|-----------|-----------------|------|
| REV. DATE | ALTERED CHECKED | ZONE |
| | | |

| | | |
|-----------|-----------------|------|
| REV. DATE | ALTERED CHECKED | ZONE |
| | | |

| | | |
|-----------|-----------------|------|
| REV. DATE | ALTERED CHECKED | ZONE |
| | | |

| | | |
|-----------|-----------------|------|
| REV. DATE | ALTERED CHECKED | ZONE |
| | | |

| | | |
|-----------|-----------------|------|
| REV. DATE | ALTERED CHECKED | ZONE |
| | | |

| | | |
|-----------|-----------------|------|
| REV. DATE | ALTERED CHECKED | ZONE |
| | | |

| | | |
|-----------|-----------------|------|
| REV. DATE | ALTERED CHECKED | ZONE |
| | | |

| | | |
|-----------|-----------------|------|
| REV. DATE | ALTERED CHECKED | ZONE |
| | | |

| | | |
|-----------|-----------------|------|
| REV. DATE | ALTERED CHECKED | ZONE |
| | | |

| | | |
|-----------|-----------------|------|
| REV. DATE | ALTERED CHECKED | ZONE |
| | | |

| | | |
|-----------|-----------------|------|
| REV. DATE | ALTERED CHECKED | ZONE |
| | | |

| | | |
|-----------|-----------------|------|
| REV. DATE | ALTERED CHECKED | ZONE |
| | | |

| | | |
|-----------|-----------------|------|
| REV. DATE | ALTERED CHECKED | ZONE |
| | | |

| | | |
|-----------|-----------------|------|
| REV. DATE | ALTERED CHECKED | ZONE |
| | | |

| | | |
|-----------|-----------------|------|
| REV. DATE | ALTERED CHECKED | ZONE |
| | | |

| | | |
|-----------|-----------------|------|
| REV. DATE | ALTERED CHECKED | ZONE |
| | | |

| | | |
|-----------|-----------------|------|
| REV. DATE | ALTERED CHECKED | ZONE |
| | | |

| | | |
|-----------|-----------------|------|
| REV. DATE | ALTERED CHECKED | ZONE |
| | | |

| | | |
|-----------|-----------------|------|
| REV. DATE | ALTERED CHECKED | ZONE |
| | | |

| | | |
|-----------|-----------------|------|
| REV. DATE | ALTERED CHECKED | ZONE |
| | | |

| | | |
|-----------|-----------------|------|
| REV. DATE | ALTERED CHECKED | ZONE |
| | | |

| | | |
|-----------|-----------------|------|
| REV. DATE | ALTERED CHECKED | ZONE |
| | | |

| | | |
|-----------|-----------------|------|
| REV. DATE | ALTERED CHECKED | ZONE |
| | | |

| | | |
|-----------|-----------------|------|
| REV. DATE | ALTERED CHECKED | ZONE |
| | | |

| | | |
|-----------|-----------------|------|
| REV. DATE | ALTERED CHECKED | ZONE |
| | | |

| | | |
|-----------|-----------------|------|
| REV. DATE | ALTERED CHECKED | ZONE |
| | | |

| | | |
|-----------|-----------------|------|
| REV. DATE | ALTERED CHECKED | ZONE |
| | | |

| | | |
|-----------|-----------------|------|
| REV. DATE | ALTERED CHECKED | ZONE |
| | | |

| | | |
|-----------|-----------------|------|
| REV. DATE | ALTERED CHECKED | ZONE |
| | | |

| | | |
|-----------|-----------------|------|
| REV. DATE | ALTERED CHECKED | ZONE |
| | | |

| | | |
|-----------|-----------------|------|
| REV. DATE | ALTERED CHECKED | ZONE |
| | | |

| | | |
|-----------|-----------------|------|
| REV. DATE | ALTERED CHECKED | ZONE |
| | | |

| | | |
|-----------|-----------------|------|
| REV. DATE | ALTERED CHECKED | ZONE |
| | | |

| | | |
|-----------|-----------------|------|
| REV. DATE | ALTERED CHECKED | ZONE |
| | | |

| | | |
|-----------|-----------------|------|
| REV. DATE | ALTERED CHECKED | ZONE |
| | | |

| | | |
|-----------|-----------------|------|
| REV. DATE | ALTERED CHECKED | ZONE |
| | | |

| | | |
|-----------|-----------------|------|
| REV. DATE | ALTERED CHECKED | ZONE |
| | | |

| | | |
|-----------|-----------------|------|
| REV. DATE | ALTERED CHECKED | ZONE |
| | | |

| | | |
|-----------|-----------------|------|
| REV. DATE | ALTERED CHECKED | ZONE |
| | | |

| | | |
|-----------|-----------------|------|
| REV. DATE | ALTERED CHECKED | ZONE |
| | | |

| | | |
|-----------|-----------------|------|
| REV. DATE | ALTERED CHECKED | ZONE |
| | | |

| | | |
|-----------|-----------------|------|
| REV. DATE | ALTERED CHECKED | ZONE |
| | | |

| |
|--|
| |
|--|

