

- NOTE:**
1. PIPE AND FLANGES TO BE MIG WELDING WITH SUITABLE SS ELECTRODE
  2. THE ROOT SHOULD BE HOMOGENEOUS AND CONTINUOUS.
  3. TESTED ASSEMBLIES TO BE DEGREASED, SAND BLASTED AND POWDER COATED ON OUTSIDE.
  4. ELECTRO POLISH INSIDE SURFACE.

VAR. NO.	REMARKS	VAR. NO.	ITEM NO.	DESCRIPTION	STD.	DRAWING NO.	VAR.	IT/NO.	MATL. CODE	MATL. SPECN.	A	UNIT	QTY.	ZONE
			05	Flange III		RD DG 4 35 0038 0416			SS-304 L			04		
			04	Extension I		RD DG 4 35 0038 0414			SS-304 L			04		
			03	Flange II		RD DG 4 35 0319 1013			SS-304 L			04		
			02	REDUCER ASSY.		RD DG 4 35 0038 0412			SS-304 L			01		
			01	PIPE		RD DG 4 35 0038 0411			SS-304 L			01		

**TYPE OF PRODUCT**  
**GSM-245**

**NAME OF CUSTOMER**  
**BHARAT HEAVY ELECTRICALS LTD.**  
**HYDERABAD**

**DEPT.**  
**GRADE OF**  
**CHKD./P.M.**  
**SCALE**  
**WEIGHT(KG)**  
**NTS**

**DRAWING NO.**  
**RD DG 4 35 0038 0410**

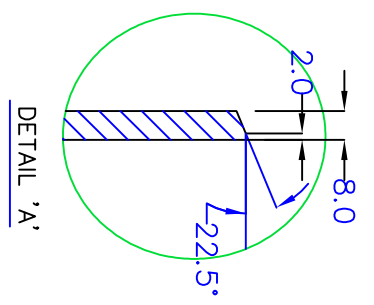
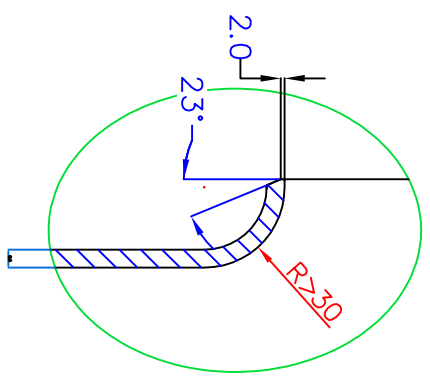
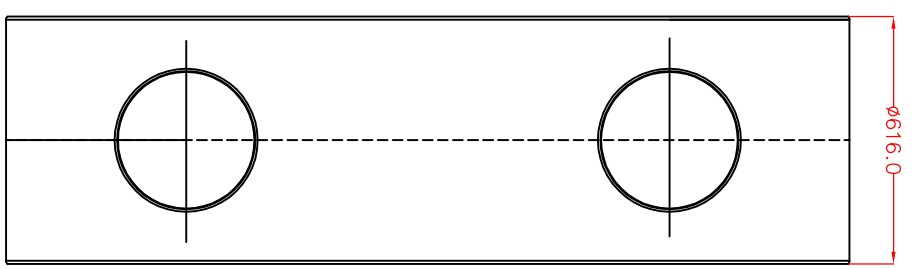
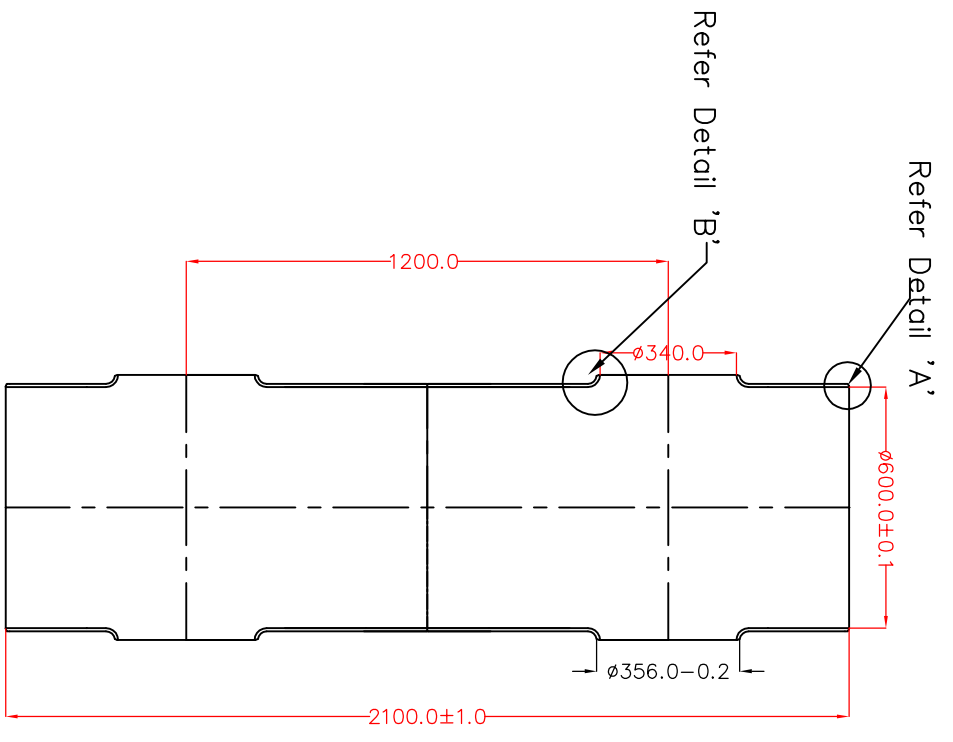
**SHEET NO.**  
**RD DG 4 35 0038 0410**

**NO. OF SHEETS**  
**NO. OF SHEETS**

REV.	DATE	ALTERED	ZONE
		CHECKED	

THE INFORMATION ON THIS DOCUMENT IS THE PROPERTY OF BHARAT HEAVY ELECTRICALS LIMITED.  
IT MUST NOT BE USED DIRECTLY OR INDIRECTLY IN ANY WAY DETRIMENTAL TO THE INTEREST OF THE COMPANY.

INVENTORY NO. SIGN. AND DATE REF. DRG. NO.



ALL SHARP EDGES SHALL BE MACHINED TO 0.4x45°

VAR. NO.	ITEM NO.	DESCRIPTION	QTY.	UNIT	ZONE
	01	PIPE			

REV. DATE	ALTERED CHECKED	REV. DATE	ALTERED CHECKED
ZONE		ZONE	

TYPE OF PRODUCT		NAME OF CUSTOMER	
GSM-245		BHARAT HEAVY ELECTRICALS LTD.	
HYDERABAD		HYDERABAD	

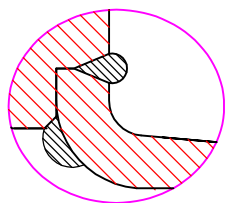
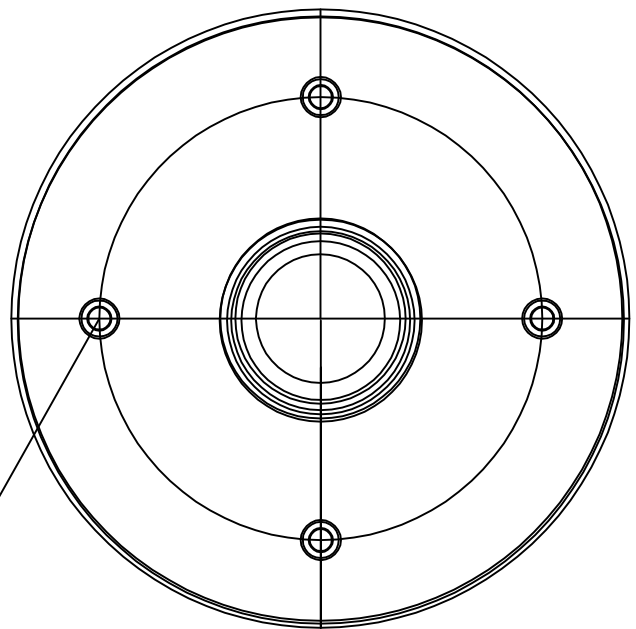
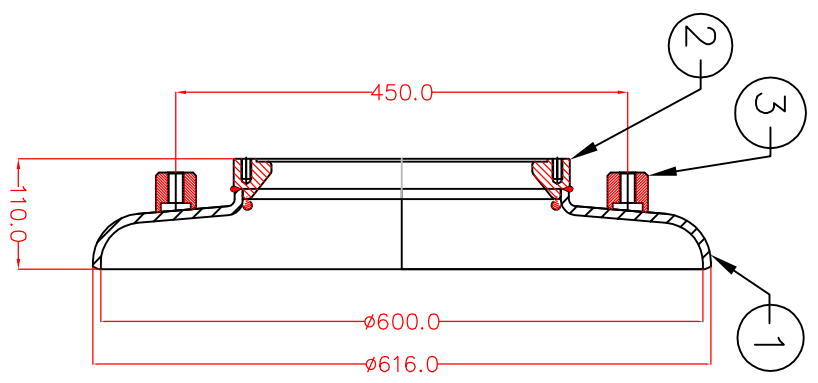
DEPT. CODE	GRADE OF TUB. DIM. C/M/F	SCALE	WEIGHT(KG)
		NTS	

DRAWING NO.	RD DG 4 35 0038 0410	NO. OF SHEETS	1
DRAWING NO.	RD DG 4 35 0038 0411	NO. OF SHEETS	

THE INFORMATION ON THIS DOCUMENT IS THE PROPERTY OF BHARAT HEAVY ELECTRICALS LIMITED. IT MUST NOT BE USED DIRECTLY OR INDIRECTLY IN ANY WAY DETRIMENTAL TO THE INTEREST OF THE COMPANY.

INVENTORY NO. | SIGN. AND DATE | REF. DRG. NO.

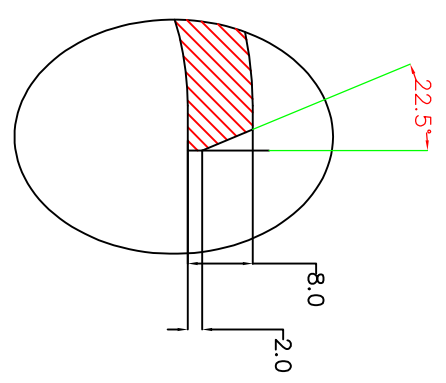
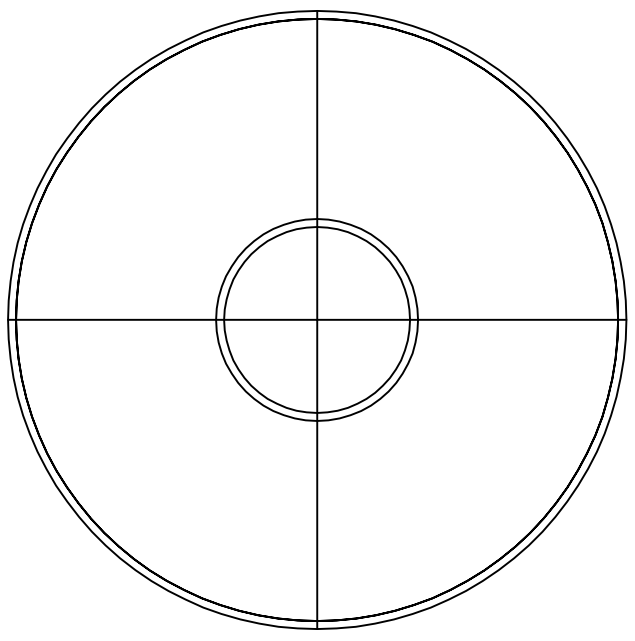
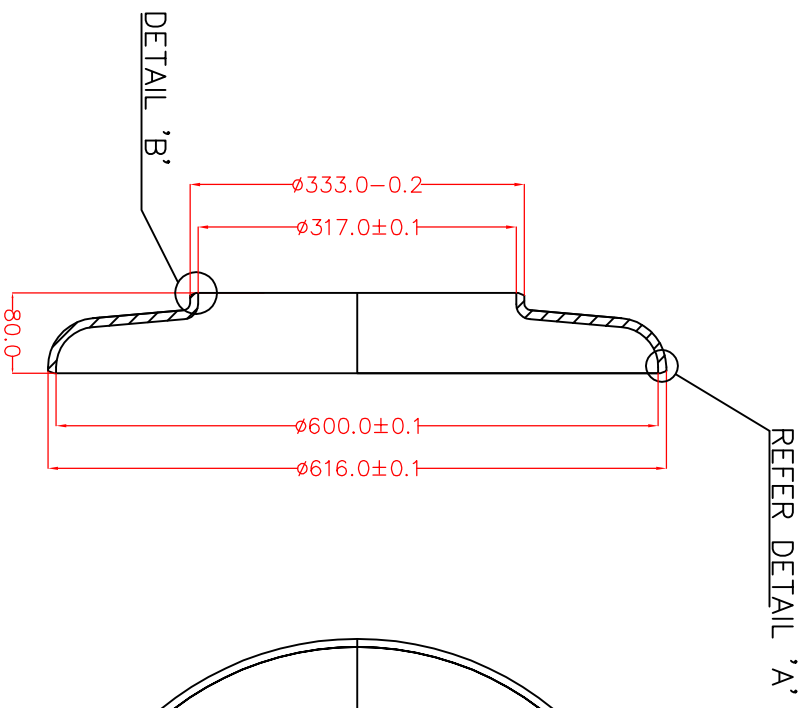


VAR. NO.	ITEM NO.	DESCRIPTION	QTY	DRAWING NO.	IT. NO.	MATL. CODE	A	C	UNIT	WT.	QTY.	ZONE
	03	LIFTING STUDS	04	RD DG 4 35 0038 0412C		SS-304L						
	02	FLANGE	01	RD DG 4 35 0038 0212B		SS-304L						
	01	REDUCER	01	RD DG 4 35 0038 0412A		SS-304L						

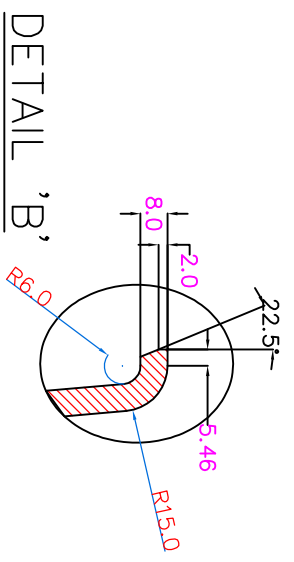
REV. DATE		ALTERED CHECKED		REV. DATE		ALTERED CHECKED	
ZONE		ZONE		ZONE		ZONE	
BHARAT HEAVY ELECTRICALS LTD. HYDERABAD				TYPE OF PRODUCT: GSM-245 NAME OF CUSTOMER:			
DEPT. CODE	GRADE OF TON/DIN C/M/F	SCALE	NTS	WEIGHT(KG)	47.0	CARD CODE	RD DG 4 35 0038 0412
DRN. NO.	MMRAO	DATE	10.05.16	NO. OF SHEETS	1	REV.	
APPD. NO.	MMRAO	DATE	10.05.16	NO. OF SHEETS	1	REV.	
REF. TO	RD DG 4 35 0038 0410	NO. OF SHEETS	1	REV.			
TITLE	REDUCER ASSY. -I						

THE INFORMATION ON THIS DOCUMENT IS THE PROPERTY OF BHARAT HEAVY ELECTRICALS LIMITED. IT MUST NOT BE USED DIRECTLY OR INDIRECTLY IN ANY WAY DETRIMENTAL TO THE INTEREST OF THE COMPANY.

INVENTORY NO. SIGN. AND DATE REF. DRG. NO.



DETAIL 'A'



DETAIL 'B'

VAR. NO.	ITEM NO.	DESCRIPTION	QTY.	UNIT	ZONE
01		SHEET			

TYPE OF PRODUCT	GSM-245
NAME OF CUSTOMER	

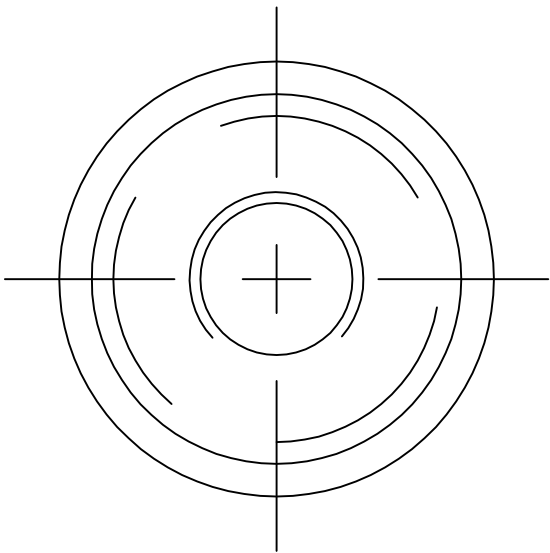
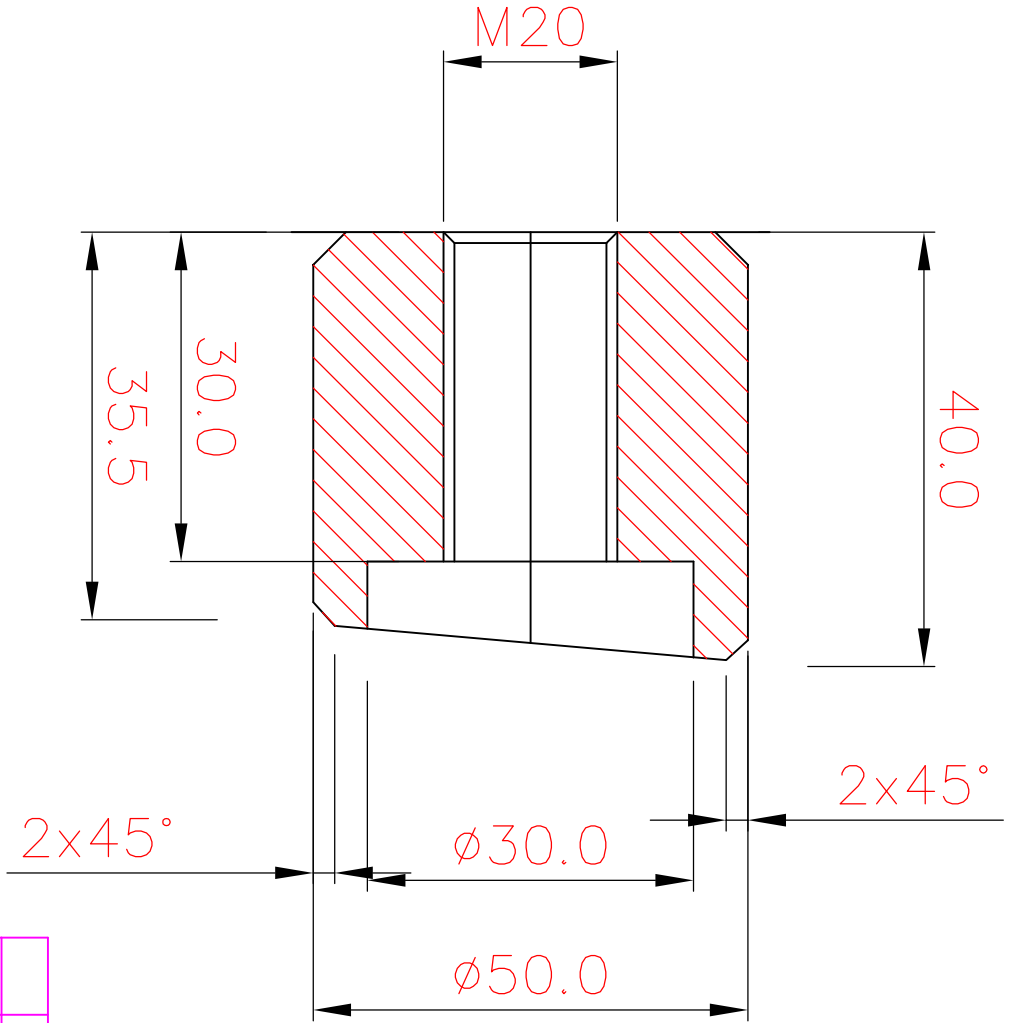
DEPT.	HYDERABAD
SCALE	NTS
WEIGHT(KG)	

DRN	MMRAO	DATE	10.05.16
CHKD	MMRAO	DATE	10.05.16
APPD	MMRAO	DATE	10.05.16

TITLE	REDUCER
DRAWING NO.	RD DG 4 35 0038 0412A
SHEET NO.	1

REV.	DATE	ALTERED	CHECKED	ZONE

NO. OF SHEETS	1
NO. OF ITEMS	01



VAR.COD	REMARKS	VAR. NO.	ITEM NO.	01	SS BLOCK	DESCRIPTION	Ø50.0x60.0	DRAWING NO.	SS-304L	IT.NO.	MATL. CODE	A	UNIT WGT.	ZONE

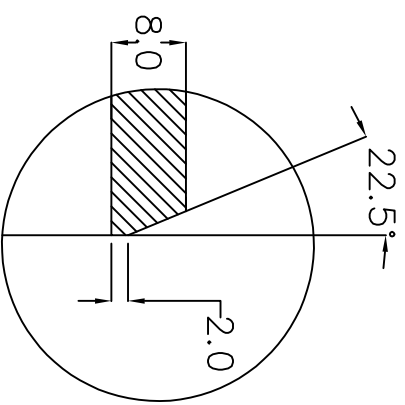
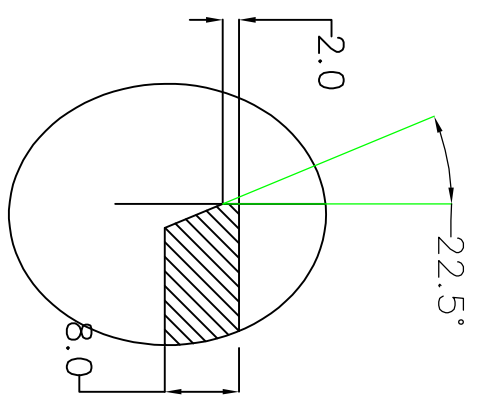
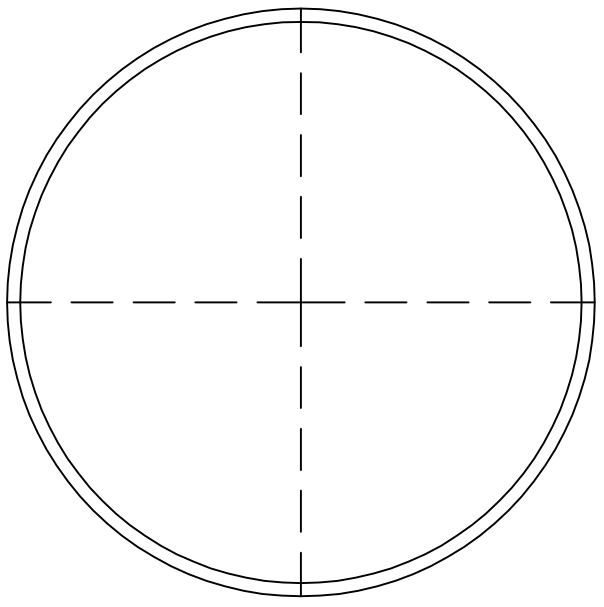
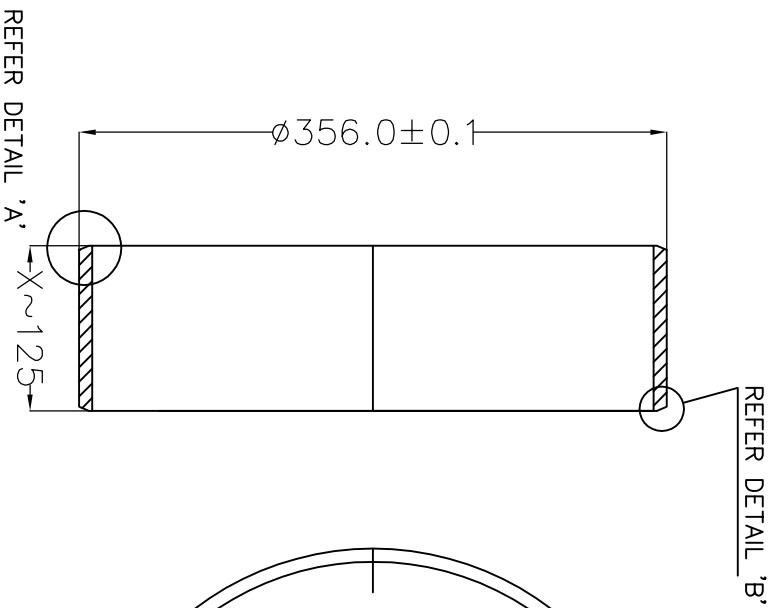
TYPE OF PRODUCT  
NAME OF CUSTOMER  
**GSM-245**

DEPT.	GRADE OF	SCALE	WEIGHT(KG)	DEN	NAME	SIGN.	DATE	NO. OF
	TON/CM <sup>3</sup>	NTS	0.25	CAD	MMRABO		10.05.16	VAR.
				APPD	MMRABO		10.05.16	NO. OF
				REF. TO				ITEM
								NO. OF
								ITEMS
								REV.



BHARAT HEAVY ELECTRICALS LTD.  
HYDERABAD

REV.	DATE	ALTERED	REV.	DATE	ALTERED	ZONE	ZONE
		CHECKED			CHECKED		
TITLE: <b>LIFTING STUD</b>							
CARD CODE: RD DG 4 35 0038 04120							
SHEET NO. NO. OF SHEETS							



X shall be maintained such that total horizontal length of Assembly is 950.0mm

VAR. NO.	REMARKS	VAR. NO.	ITEM NO.	DESCRIPTION	DRG. NO.	SS-304L	20.0 KG	01	UNIT WT.	ZONE
			01	PIPE	RD DG 4 35 0038 0414A					

TYPE OF PRODUCT  
NAME OF CUSTOMER  
**GSM-245**

DEPT.	GRADE OF	SCALE	WEIGHT(KG)	DRAWING NO.	NO. OF SHEETS
	TDI DIM. C/M/F	NTS	10.0	RD DG 4 35 0038 0414	1

REV.	DATE	ALTERED	REV.	DATE	ALTERED
ZONE		CHECKED	ZONE		CHECKED

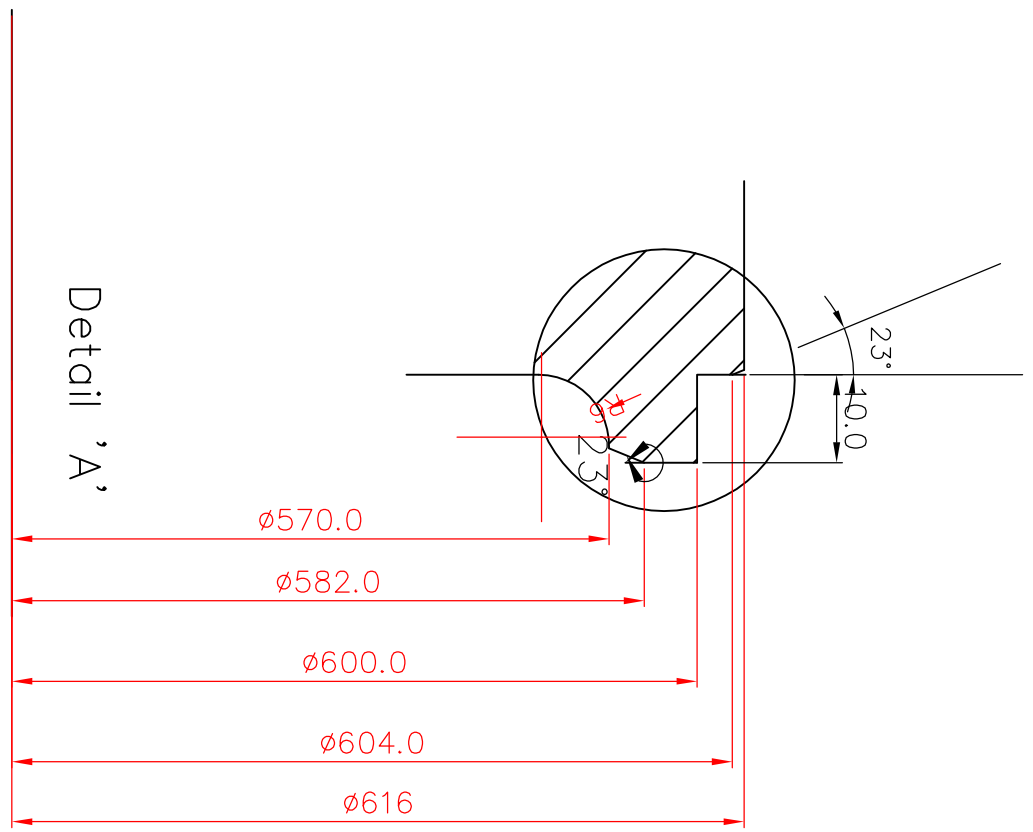
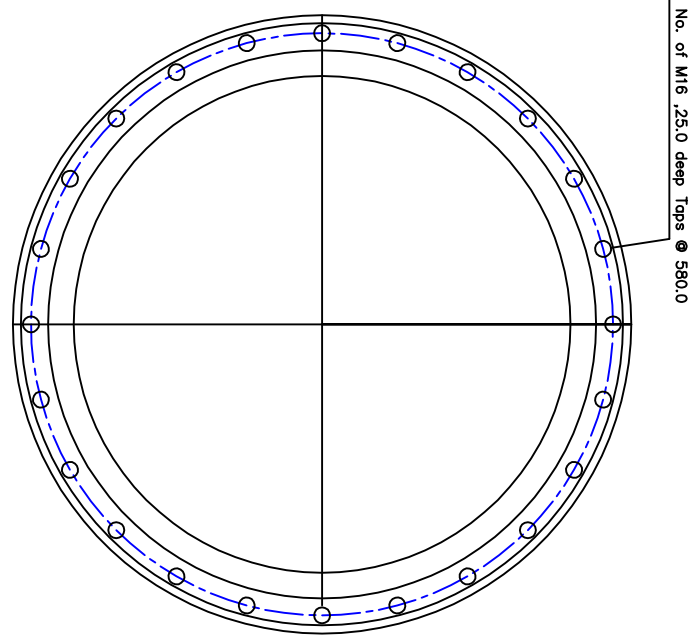
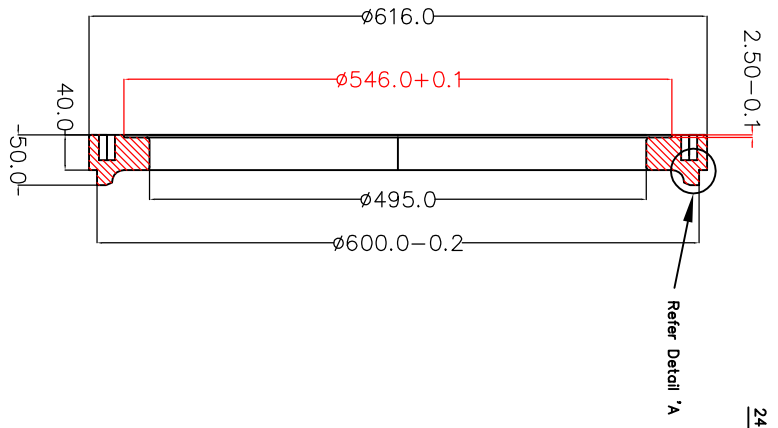
INVENTORY NO.	SIGN. AND DATE	REF. DRG. NO.
---------------	----------------	---------------

THE INFORMATION ON THIS DOCUMENT IS THE PROPERTY OF BHARAT HEAVY ELECTRICALS LIMITED. IT MUST NOT BE USED DIRECTLY OR INDIRECTLY IN ANY WAY DETRIMENTAL TO THE INTEREST OF THE COMPANY.

**BHARAT HEAVY ELECTRICALS LTD.**  
HYDERABAD

DRN	NAME	SIGN.	DATE	NO. OF
10.05.16	MINI TOO		10.05.16	VAR.
10.05.16	MMR AO		10.05.16	01
10.05.16	MMR AO		10.05.16	

EXTENSION-1



VAR. NO.	REMARKS	VAR. ITEM NO.	DESCRIPTION	DR. NO.	IT. NO.	MATL. CODE	A	UNIT WGT.	ZONE
		01	FLANGE III			SS-304L		01	

TYPE OF PRODUCT  
NAME OF CUSTOMER  
**GSM-245**

DEPT.	GRADE OF	SCALE	WEIGHT(KG)	DRN	NAME	DATE	NO. OF
	TON DIM.	NTS		CAD	MMR/DO	10.05.16	VAR.
	C/M/F			APPD	MMR/RAO	10.05.16	01

TITLE	FLANGE III	CARD CODE	RD DG 4 35 0038 0410	NO. OF SHEETS	1
-------	------------	-----------	----------------------	---------------	---

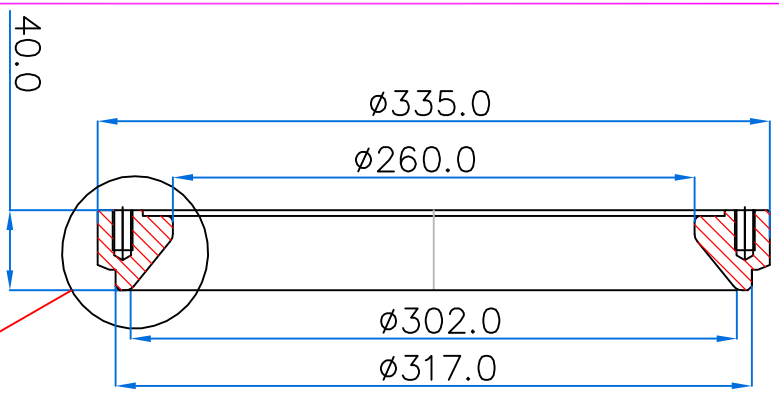
INVENTORY NO.	SIGN. AND DATE	REF. DRG. NO.
---------------	----------------	---------------

THE INFORMATION ON THIS DOCUMENT IS THE PROPERTY OF BHARAT HEAVY ELECTRICALS LIMITED. IT MUST NOT BE USED DIRECTLY OR INDIRECTLY IN ANY WAY DETRIMENTAL TO THE INTEREST OF THE COMPANY.

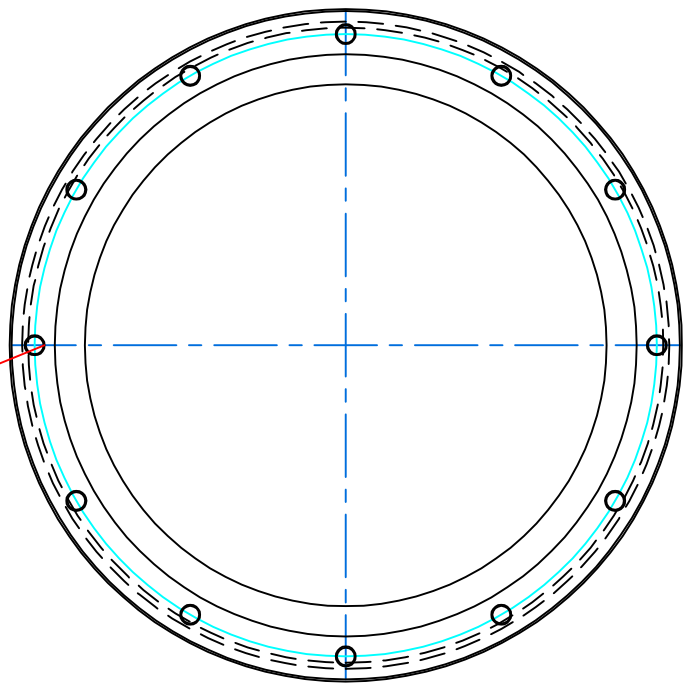
REV.	DATE	ALTERED	REV.	DATE	ALTERED
ZONE		CHECKED	ZONE		CHECKED

THE INFORMATION ON THIS DOCUMENT IS THE PROPERTY OF BHARAT HEAVY ELECTRICALS LIMITED. IT MUST NOT BE USED DIRECTLY OR INDIRECTLY IN ANY WAY DETRIMENTAL TO THE INTEREST OF THE COMPANY.

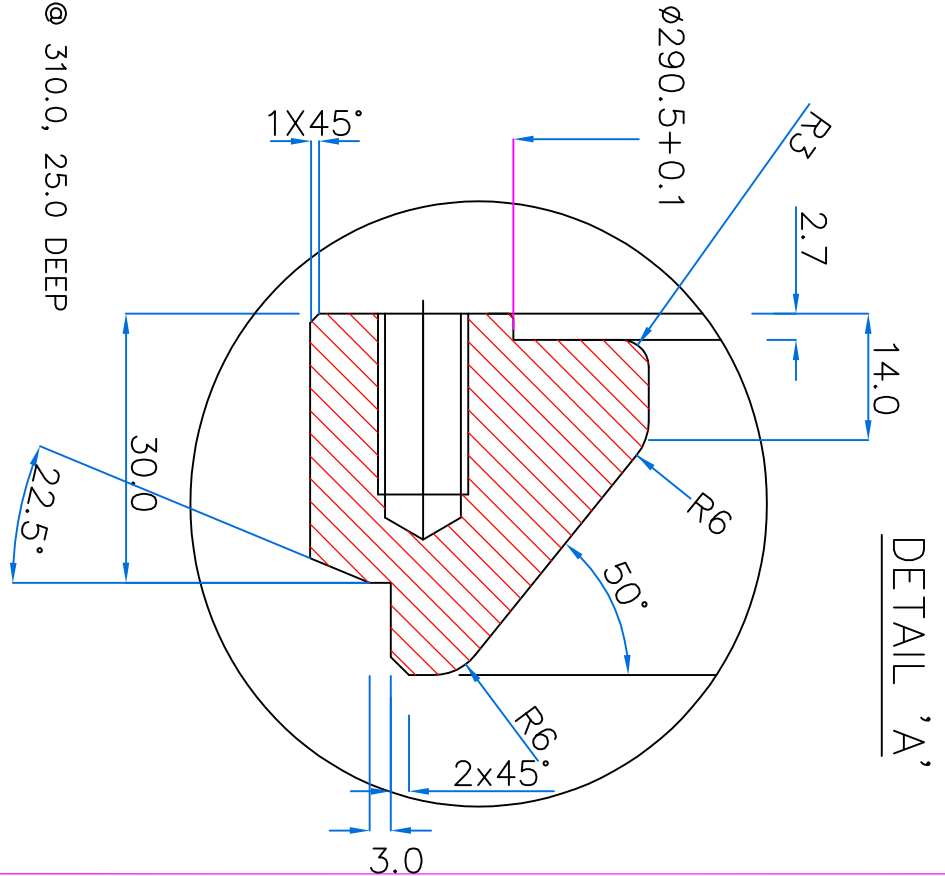
INVENTORY NO.	SIGN. AND DATE	REF. DRG. NO.
---------------	----------------	---------------



REFER DETAIL 'A'



12 No., M10 TAPS @ 310.0, 25.0 DEEP



DETAIL 'A'

REV.	DATE	ALTERED	ZONE
		CHECKED	

REV.	DATE	ALTERED	ZONE
		CHECKED	

DEPT.	SCALE	WEIGHT(KG)	CARD CODE
	NTS	11.0	RD DG 4 35 0617 0212B

TYPE OF PRODUCT		NAME OF CUSTOMER	
FLANGE		GSM-400	
VAR/CO	REMARKS	VAR. NO.	ITEM NO.

VAR/CO	REMARKS	VAR. NO.	ITEM NO.	DESCRIPTION	DWG. NO.	DRG. NO.	VAR.	MATL. CODE	A	L	UNIT	QTY.	ZONE
				FLANGE	0340.0x45.0			SS-304			35.0		

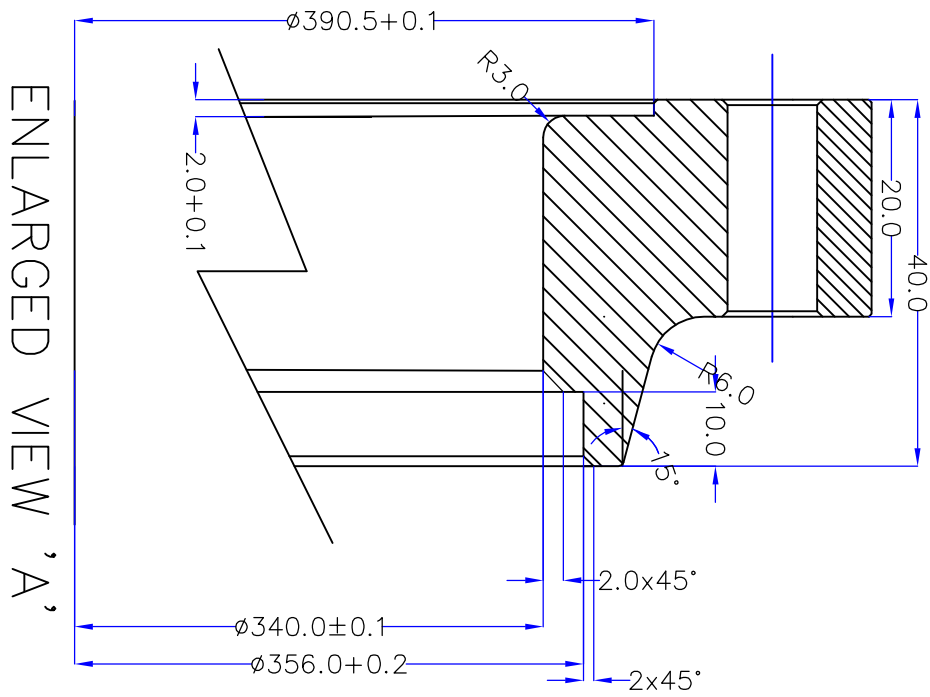
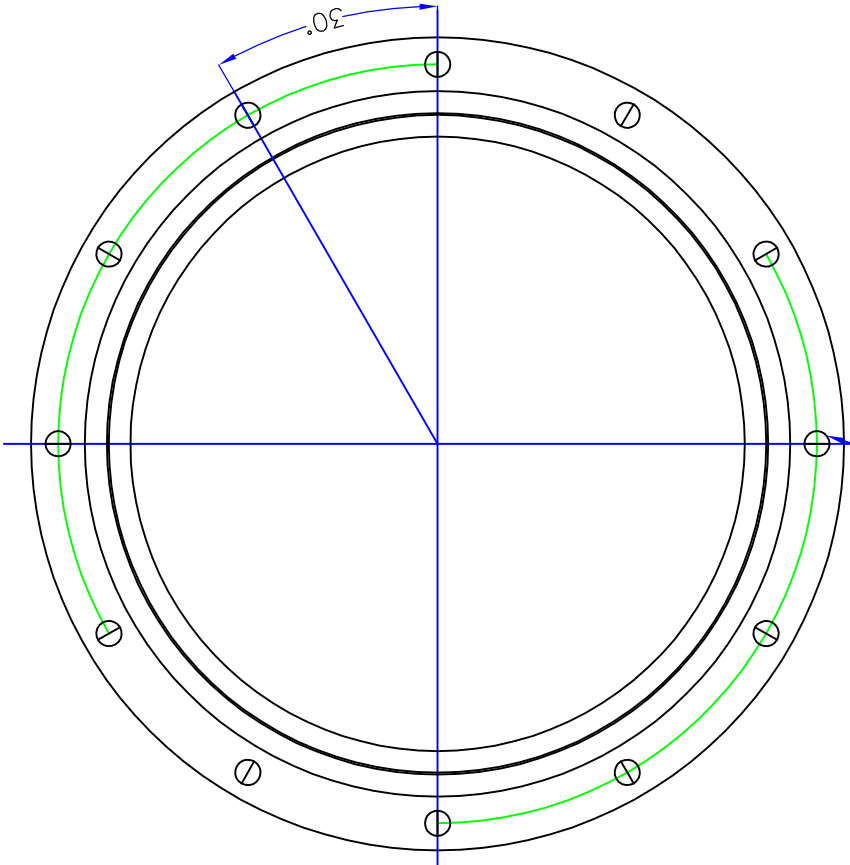
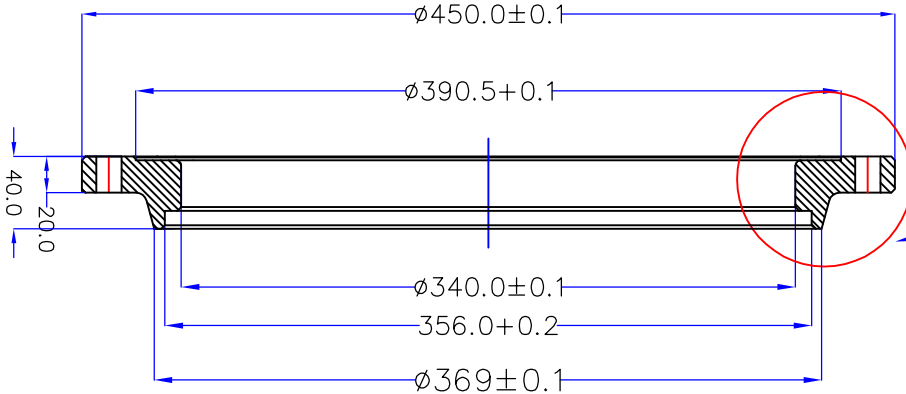
DEPT.	SCALE	WEIGHT(KG)	CARD CODE
	NTS	11.0	RD DG 4 35 0617 0212B

DATE	SIGN.	NO. OF
26.06.08		01

ALL SHARP EDGES SHALL BE MACHINED TO 0.4x45°

FLANGE

12 Nos  $\phi 14$  Clear holes @PCD 420.0 $\pm 0.1$



ENLARGED VIEW 'A'

VAR. NO.	REMARKS	VAR. NO.	ITEM NO.	02	FLANGE	$\phi 500 \times 45 \text{mm}$	STD	DRAWING NO.	SS-304L	MATL. CODE	SS	UNIT WT.	01
----------	---------	----------	----------	----	--------	--------------------------------	-----	-------------	---------	------------	----	----------	----

TYPE OF PRODUCT  
NAME OF CUSTOMER  
**GSM-245**

**BHARAT HEAVY ELECTRICALS LTD.**  
HYDERABAD

DRN	NAME	SA	SA	DATE	VAR.
CXD	SA	01.05.13	01.05.13		
APPD	MMARAO	REF. TO		ITEM NO.	01

REV.	DATE	ALTERED	CHECKED	REV.	DATE	ALTERED	CHECKED
ZONE				ZONE			

DEPT.	GRADE OF	SCALE	WEIGHT(KG)	CARD CODE	DRAWING NO.	REV.
	TOL. DIM	NTS		RDDG435-0519-1010	RDDG435-0519-1013	
	C/M/F					

FLANGE II