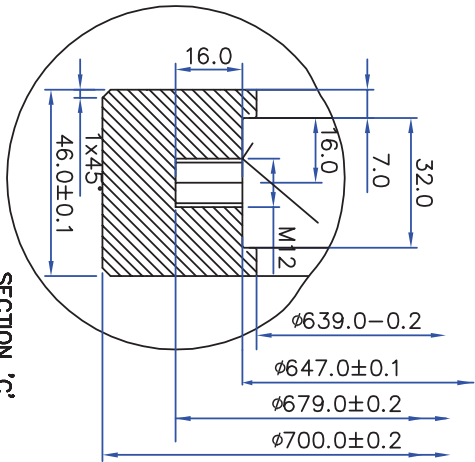
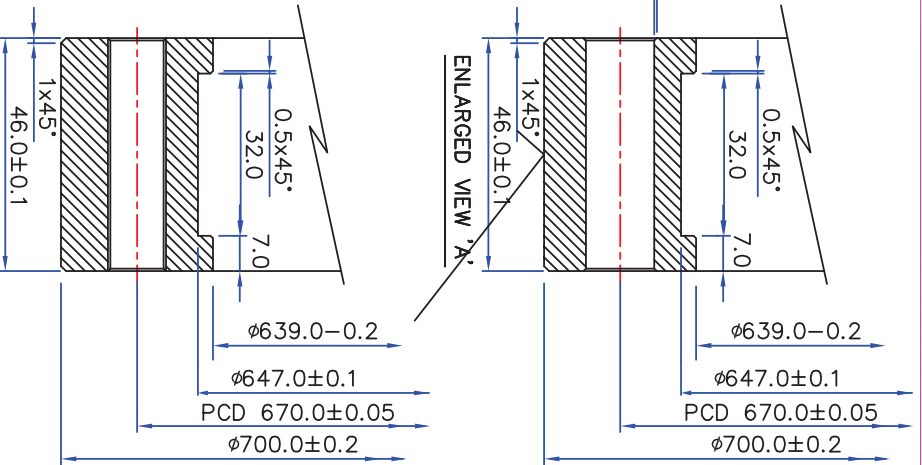
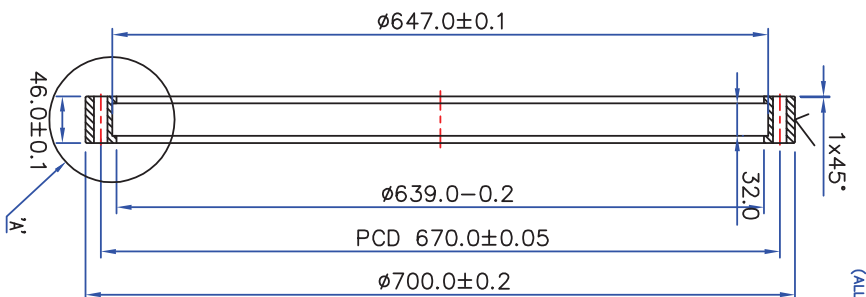
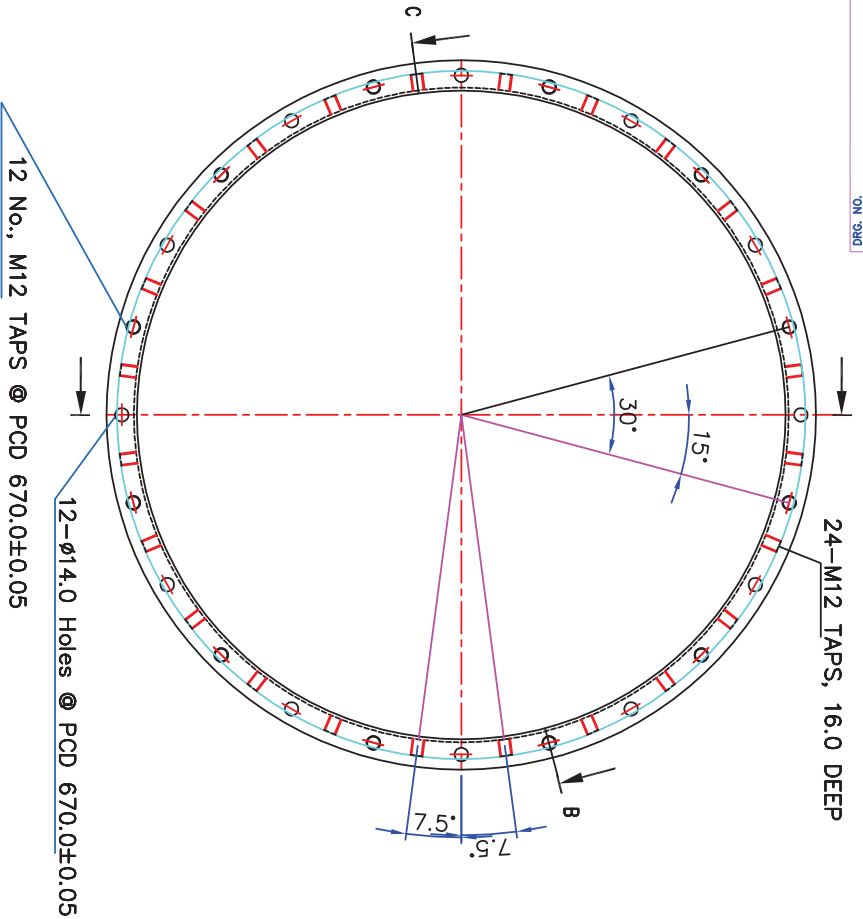


INVENTORY NO.	SIGN. AND DATE	REF. DRG. NO.
---------------	----------------	---------------



ALL SHARP EDGES SHALL BE MACHINED TO 0.4x45°
MARKED / PROFILED SURFACES SHALL BE MACHINED BETTER THAN RA1.2

CGSM-145

FINAL ON 12/07/14

VAR.00	REMARKS	VAR. NO.	ITEM NO.	01	LT INSERT	RD DG 4 35 1133 1002	HE-30
IT. NO.	MATL. CODE	UNIT	QTY.	NO. OF	NO. OF		
VAR.	MATL. SPECN.	C					
ZONE							

TYPE OF PRODUCT		NAME OF CUSTOMER	
01 LT INSERT		BHARAT HEAVY ELECTRICALS LTD.	
NAME OF PRODUCT		HYDERABAD	
DRN	SIGN.	DATE	NO. OF
KSRAO		06.01.12	VAR.
AL / BSM		06.01.12	
APPD	MMRAO	07.01.12	01

REV.	DATE	ALTERED	REV.	DATE	ALTERED
		CHECKED			CHECKED
ZONE			ZONE		
DEPT.		GRADE OF		SCALE	
C/M/F		TOL. DIM.		NTS	
TITLE		WEIGHT(KG)		CARD	
LT INSERT				RD DG 4 35 1133 1002	
SHEET NO.		NO. OF SHEETS		REV.	
				00	