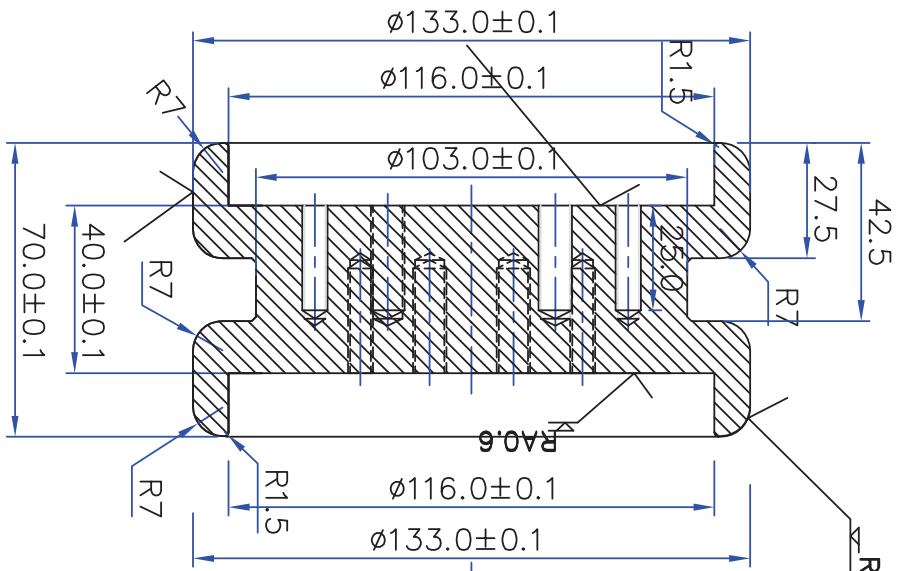


THE INFORMATION ON THIS DOCUMENT IS THE PROPERTY OF BHARAT HEAVY ELECTRICALS LIMITED.
IT MUST NOT BE USED DIRECTLY OR INDIRECTLY IN ANY WAY DETRIMENTAL TO THE INTEREST OF THE COMPANY.



6 No. M6.0x25 Deep @75 PCD, 60° apart as shown

3-M10.0 x25 Deep @40.0 PCD, 120° apart as shown

3 Holes M10.0x25 Deep @40 PCD, 120° apart as shown

6 Holes M6.0x25 Deep @75 PCD, 60° apart as shown

COMPONENT TO BE POLISHED AND SILVER PLATED.
COMPONENT SHALL BE SILVER PLATED TO 10 to 12 MICRONS.
MARKED / PROFILED SURFACES SHALL BE MACHINED BETTER THAN RA0.6
ALL SHARP EDGES SHALL BE MACHINED TO 0.4x45°

FINAL ON 12/07/14

VAR. NO.	REMARKS	VAR. ITEM NO.	HT INSERT	RD DG 4 35 1133 1001	ETIP COPPER	03
01						

TYPE OF PRODUCT		NAME OF CUSTOMER	
HT INSERT		CGSM-145	
DEPT. CODE	GRADE OF C/M/	SCALE	WEIGHT(KG)
		NTS	
BHARAT HEAVY ELECTRICALS LTD.		HYDERABAD	
DRN. NO.	NAME	SIGN.	DATE
001	KSRAD		06.01.12
APPD.	ALV/BSM		07.01.12
REF. TO	ITEM NO.	NO. OF	REV.
RD DG 4 35 1133 1000	01		

REV.	DATE	ALTERED	REV.	DATE	ALTERED	ZONE	TITLE	CARD CODE	SHEET NO.	NO. OF SHEETS
		CHECKED			CHECKED		HT INSERT	RD DG 4 35 1133 1001		00