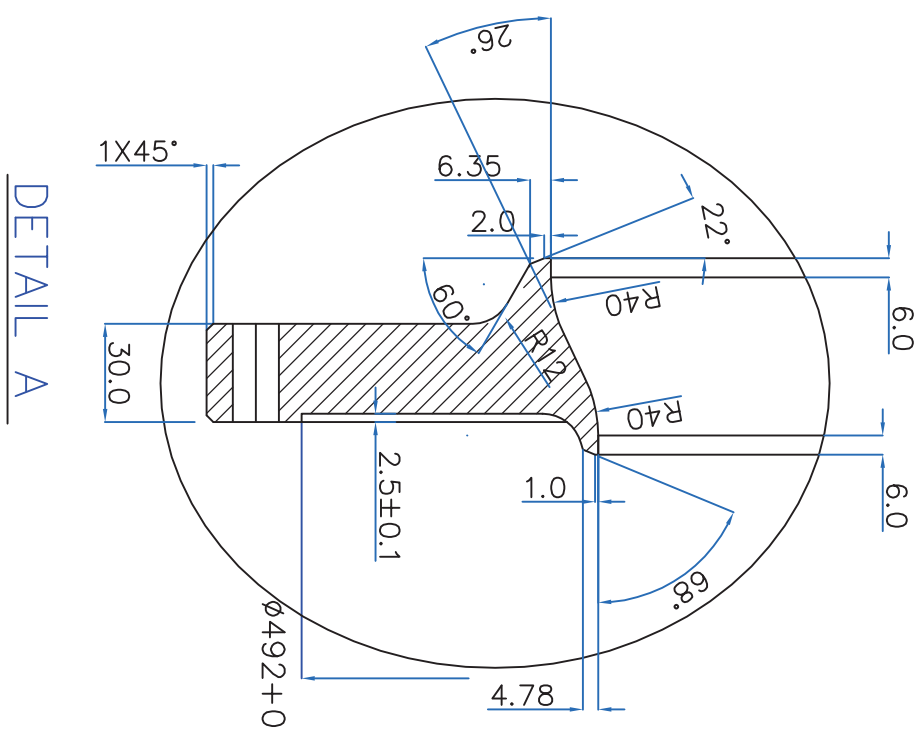


24 No., $\phi 14.0$ CLEAR HOLES @ 520.0 PCD



DETAIL A

- Note:
1. Sealing area shall be polished to RA 0.8 or better.
 2. $\phi 14.0$ holes shall be chamfered uniformly (0.8x45°).
 3. PCD and flange centre shall be concentric within ± 0.1
 4. Finished flange shall be degreased and packed in 125 micron play bag and sealed.

| | | | | | | | |
|------|------|---------|------|------|------|---------|------|
| REV. | DATE | ALTERED | ZONE | REV. | DATE | ALTERED | ZONE |
| | | CHECKED | | | | CHECKED | |

TYPE OF PRODUCT: **GSM-245**

NAME OF CUSTOMER: **SS-304L**

DEPT. CODE: **SS-304L**

GRADE OF C/M/F: **SS-304L**

SCALE: **NTS**

WEIGHT(KG):

DRN: **MMRAB**

CHKD: **MMRAB**

APPD: **MMRAB**

REF. TO: **23.10.14**

DATE: **23.10.14**

SIGN.:

DATE: **23.10.14**

| | | | | |
|------------|----------------------|----------------------|-----------|---------------|
| TITLE | CARD CODE | DRAWING NO. | SHEET NO. | NO. OF SHEETS |
| FLANGE-III | RD DG 4 35 0618 0121 | RD DG 4 35 0618 0120 | 1 | 1 |