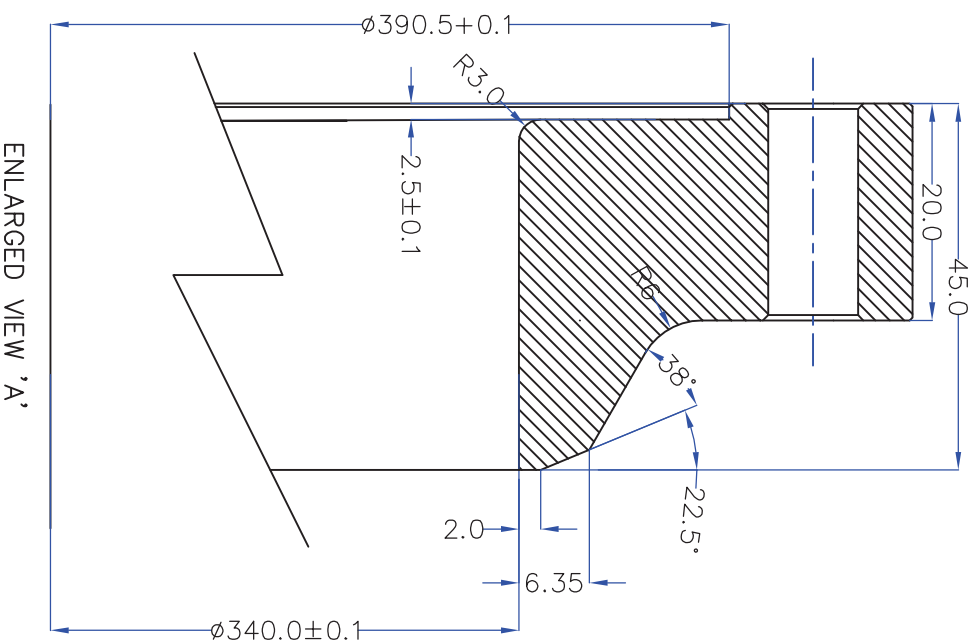
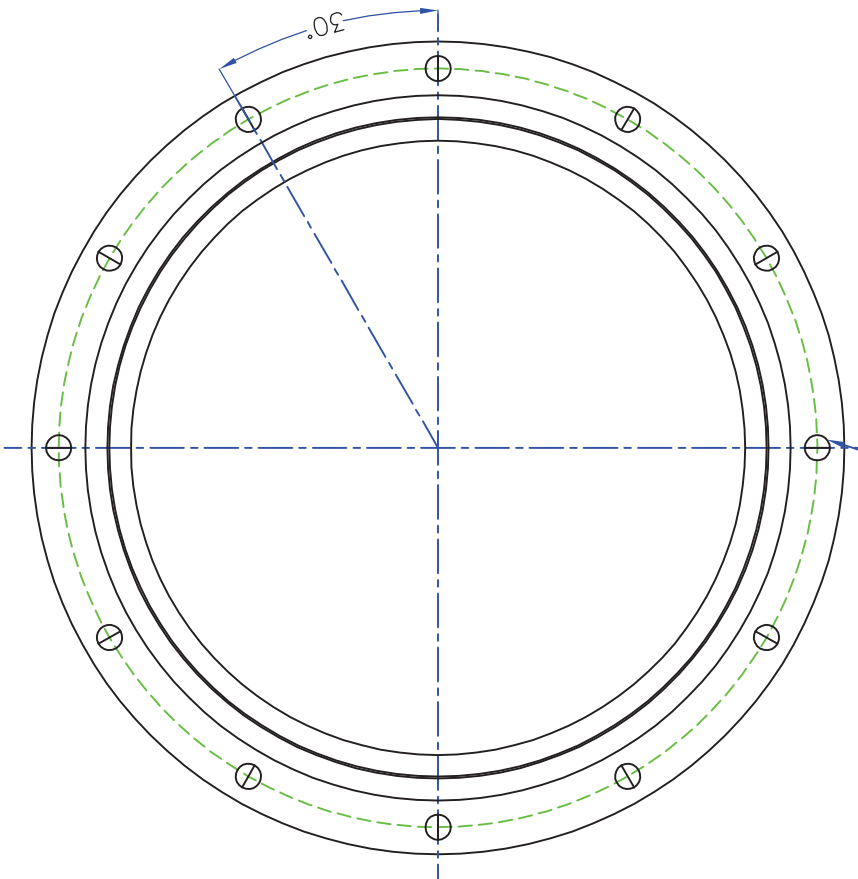
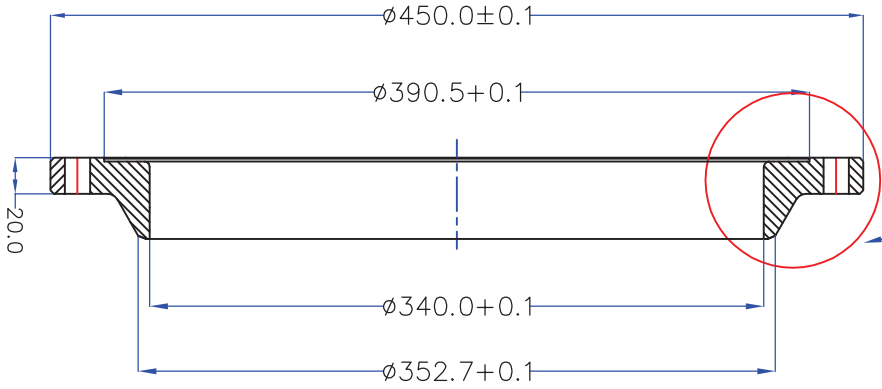


12 Nos $\phi 14$ Clear holes @PCD 420.0 ± 0.1



ENLARGED VIEW 'A'

02	FLANGE	$\phi 470 \times 45$ mm	SS-304L	01
01	FLANGE	$\phi 470 \times 45$ mm	SS-304L	01

TYPE OF PRODUCT
NAME OF CUSTOMER
GSM-245

DEPT.	GRADE OF	SCALE	WEIGHT(KG)	NAME	DATE
HYDERABAD	NTS			MINTOO	23.10.14
				MMRAO	23.10.14
				MMRAO	23.10.14

REV.	DATE	ALTERED	CHECKED	REV.	DATE	ALTERED	CHECKED	TITLE	CARD CODE	DRAWING NO.	SHEET NO.	NO. OF SHEETS
								FLANGE IV	RD DG 435 0618 0122	RD DG 435 0618 0120	1	1