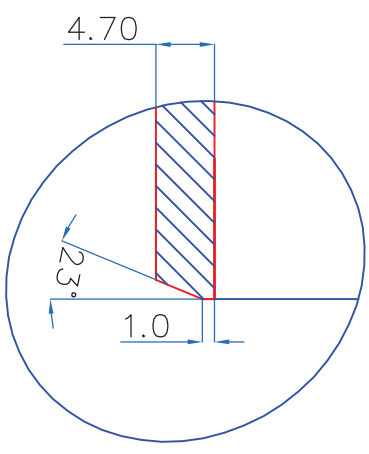
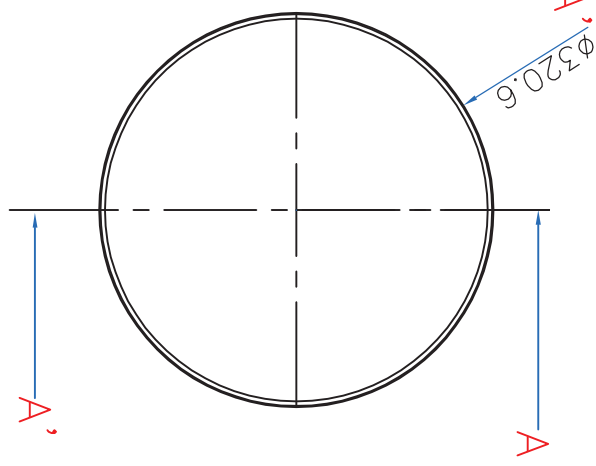


REFER DETAIL 'A'



DETAIL 'A'

QTY	01	PIPE	SS-304 L	01
DATE	28.06.18	NAME	Minto	SIGN.
DATE	28.06.18	NAME	MMRAO	SIGN.
DATE	28.06.18	NAME	MMRAO	SIGN.

GSM-245

TYPE OF PRODUCT: PIPE
 NAME OF CUSTOMER: BHARAT HEAVY ELECTRICALS LTD. HYDERABAD

REV. DATE	ALTERED	REV. DATE	ALTERED
ZONE	CHECKED	ZONE	CHECKED
DEPT. CODE	GRADE OF TOL. DIM. C/M/F	SCALE	WEIGHT(KG)
NTS			
CARD CODE	RD DG 4 35 618 0120	DRAWING NO.	RD DG 4 35 0618 0123
SHEET NO.	1	NO. OF SHEETS	1

PIPE