

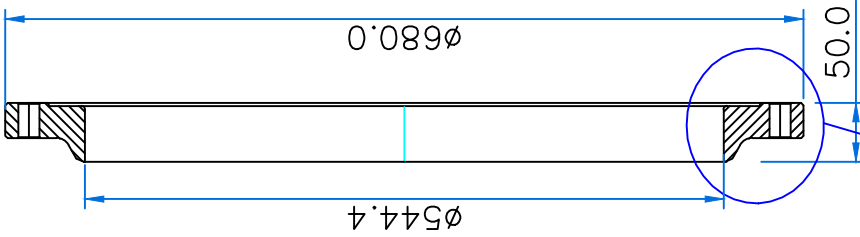
FIRST ANGLE PROJECTION

(ALL DIMENSIONS ARE IN mm)

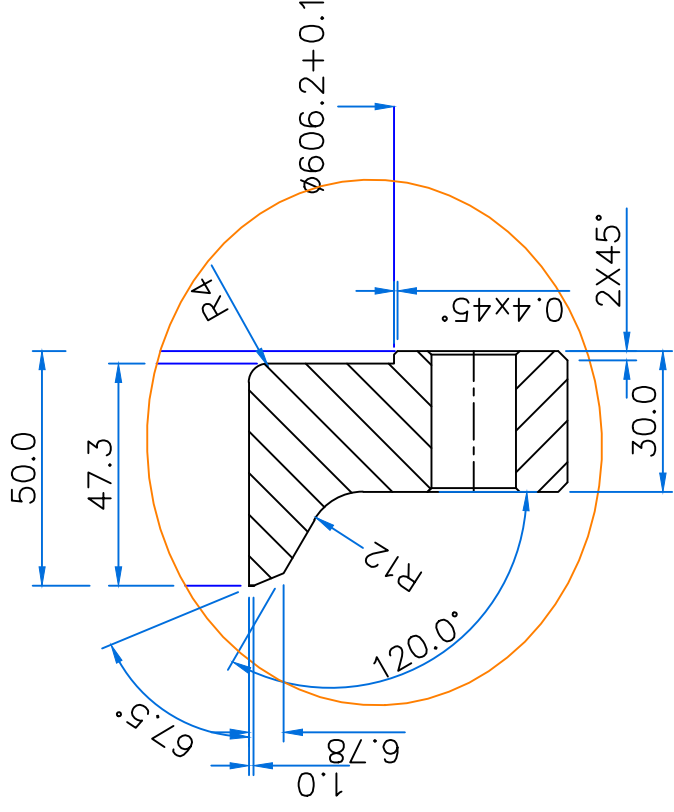
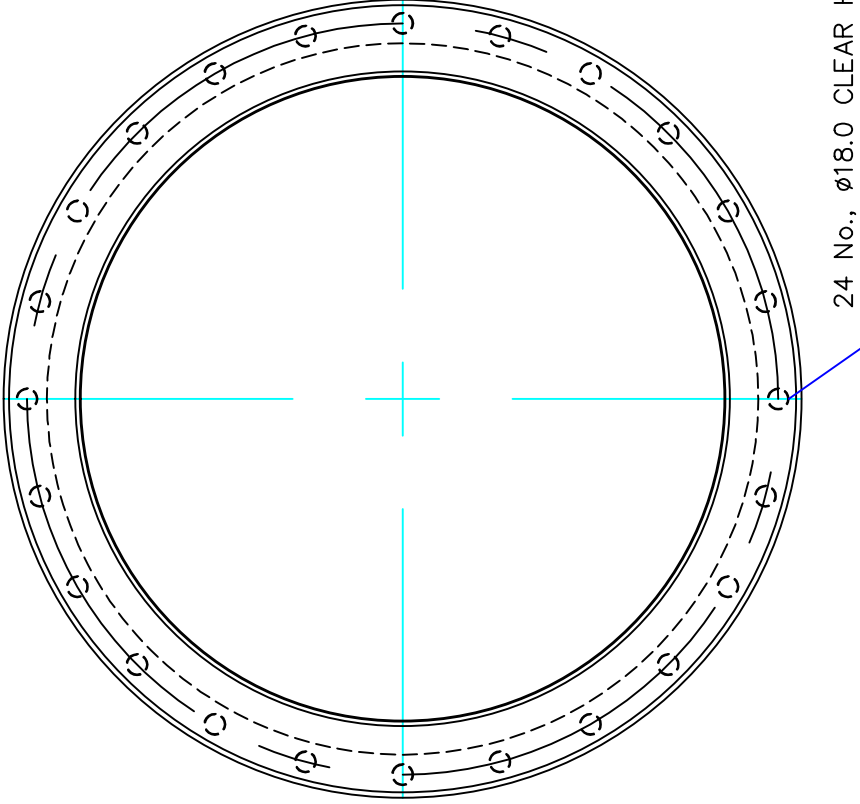
(~3.2)

RD DG 4 35 0617 0113B

THE INFORMATION ON THIS DOCUMENT IS THE PROPERTY OF BHARAT HEAVY ELECTRICALS LIMITED. IT MUST NOT BE USED DIRECTLY OR INDIRECTLY IN ANY WAY DETRIMENTAL TO THE INTEREST OF THE COMPANY.



REFER DETAIL A



VAR.00	REMARKS	VAR	ITEM NO.	NO.	DR	NO.
01		SS FLANGE	#680.0X#530.0X#55.0		SS-304	
		DESCRIPTION	DRAWING NO.			
		IT. NO.	MATL. CODE			
		VAR	MATL. SPECN.			
			UNIT WT.		60 KG	01

TYPE OF PRODUCT		NAME OF CUSTOMER		SIGNATURE		DATE		NO. OF WKS	
SS FLANGE		BHARAT HEAVY ELECTRICALS LTD.				26.12.06		01	
SS FLANGE		HYDERABAD		NSK		02.01.06		01	
		HYDERABAD		MMRAO		02.01.06			
DEPT. CODE		SCALE		REF. TO		RD DG 4 35 0617 0113		NO. OF ITEMS	
01		NTS						1	
REV. DATE		ALTERED		CHECKED		ZONE		REV.	
CARD CODE		RD DG 4 35 0617 0113B		SHEET NO.		NO. OF SHEETS			
FLANGE		GSM-245							