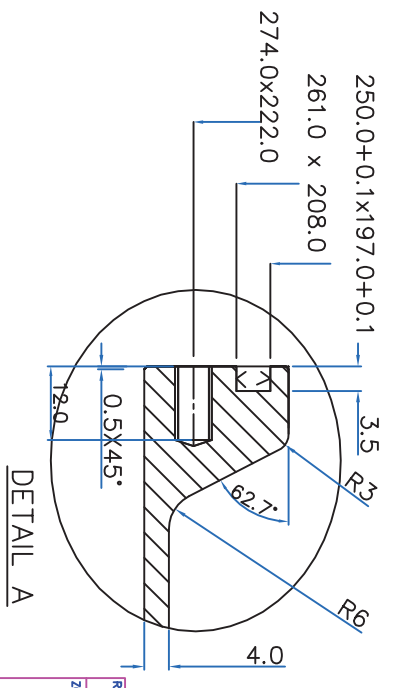


REFER DETAIL A



09/10/14

VAR. NO.	REMARKS	VAR. NO.	ITEM NO.	DESCRIPTION	QTY	UNIT WT.
01	TERMINAL BOX					01

GSM-245



BHARAT HEAVY ELECTRICALS LTD.
HYDERABAD

NAME	DATE	SIGN.
MIRTOO	19.07.14	
MMRAO	19.07.14	

REV.	DATE	ALTERED	ZONE
		CHECKED	

REV.	DATE	ALTERED	ZONE
		CHECKED	

DEPT.	GRADE OF	SCALE	WEIGHT(KG)
	TOL. DIM. C/M/F	NTS	1.0 Kg

TITLE	CARD CODE	DRAWING NO.	SHEET NO.
TERMINAL BOX		RD DG 4 35 0618 0113	1