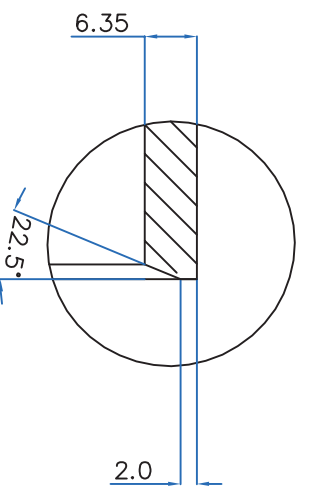


DETAIL A



DETAIL B

DATE	01	SHEET	SS-304L
REVISION	01	DESCRIPTION	01
DATE		DATE	
REVISION		DESCRIPTION	

TYPE OF PRODUCT
NAME OF CUSTOMER
GSM-245

BHARAT HEAVY ELECTRICALS LTD.
HYDERABAD

DEPT. CODE
GRADE OF TOL. DIM. C/M/F
SCALE
NTS
WEIGHT(KG)

TITLE
REDUCER PIPE

REV.	DATE	ALTERED	REV.	DATE	ALTERED
		CHECKED			CHECKED
ZONE			ZONE		

DRN	NAME	DATE
MMRMO	MINTOO	23.10.14
APPD	MMRMO	23.10.14
REF. TO		
RD DG 4 35 0618 0110		
DRAWING NO.		
RD DG 4 35 0618 0114		
SHEET NO.		
1		

CARD CODE	NO. OF SHEETS
RD DG 4 35 0618 0114	1