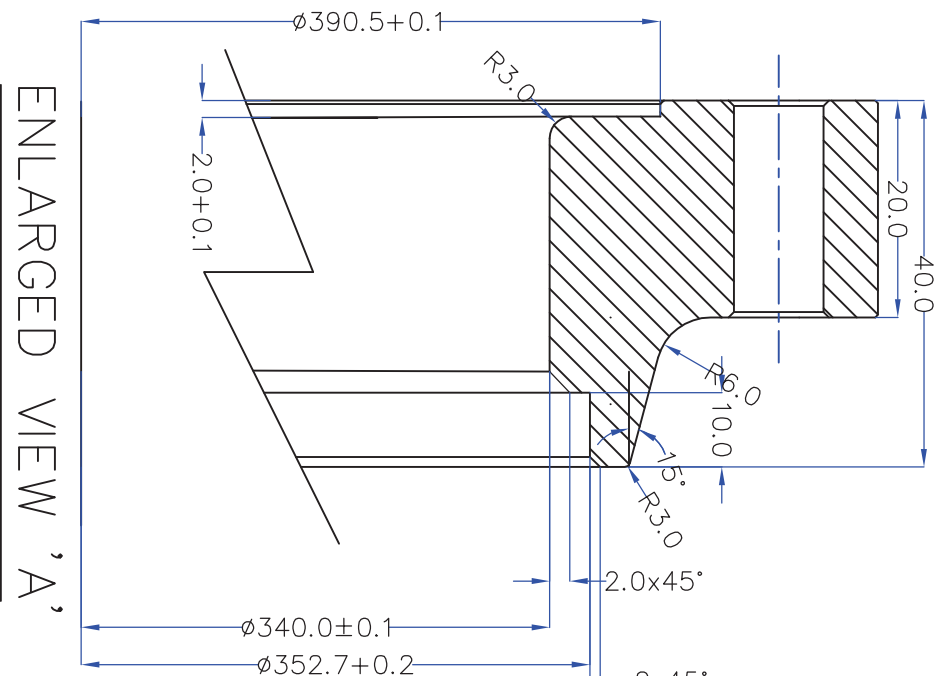
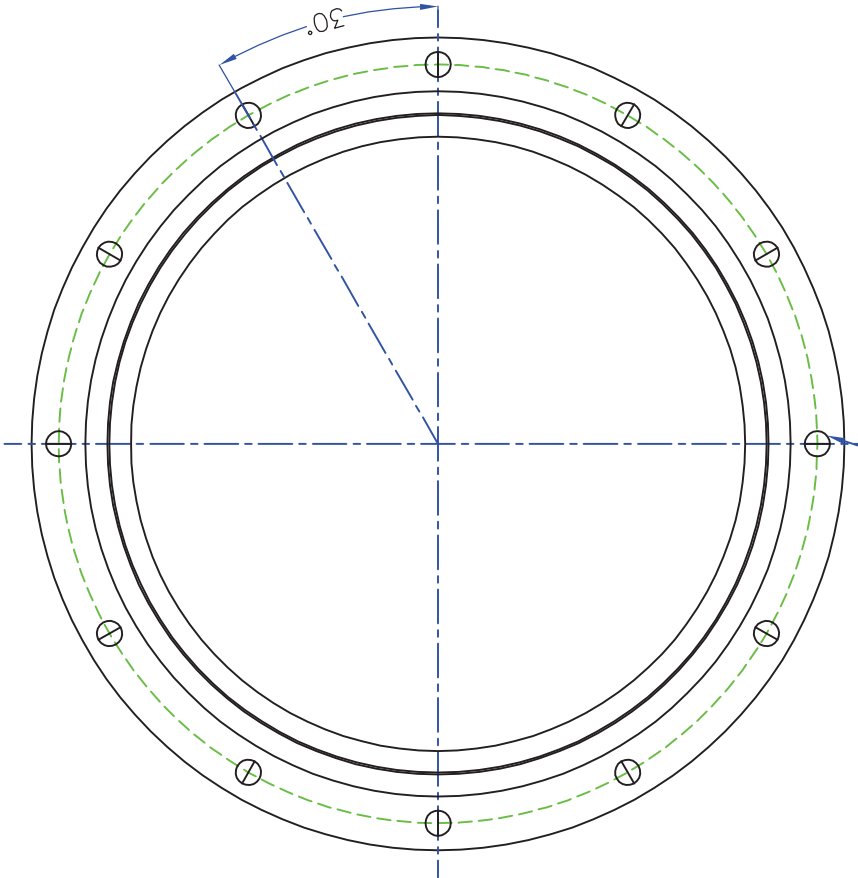
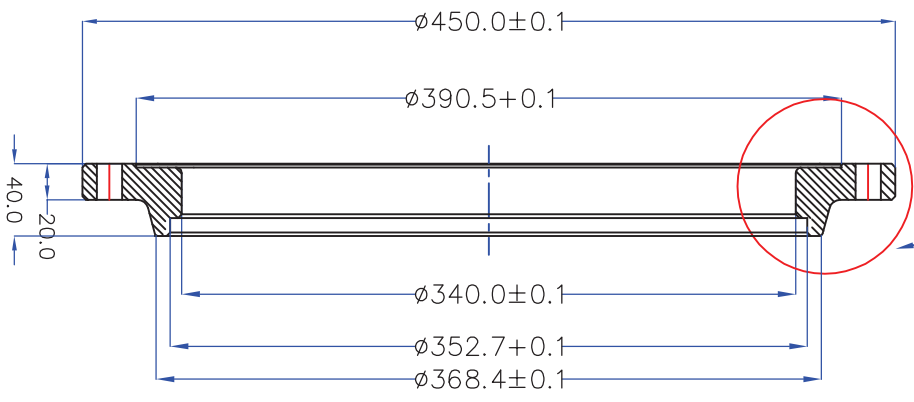


12 Nos  $\phi 14$  Clear holes @PCD  $420.0 \pm 0.1$



ENLARGED VIEW 'A'

02	FLANGE	$\phi 470 \times 45$ mm	SS-304L	01
01	FLANGE	$\phi 470 \times 45$ mm	SS-304L	01

TYPE OF PRODUCT  
 NAME OF CUSTOMER  
**GSM-245**

DEPT.	GRADE OF	SCALE	WEIGHT(Kg)	DATE
RD DG	DM	NTS		01.05.14
CHKD	MMR/RAO			01.05.14
APPRD	MMR/RAO			01.05.14

REV.	DATE	ALTERED	REV.	DATE	ALTERED
1			1		

CARD CODE	DRAWING NO.	NO. OF SHEETS
RD DG 435 0618 0115	RD DG 435 0618 0115	1

REV.	DATE	CHECKED	REV.	DATE	CHECKED
1			1		



**BHARAT HEAVY ELECTRICALS LTD.**  
 HYDERABAD

FLANGE II