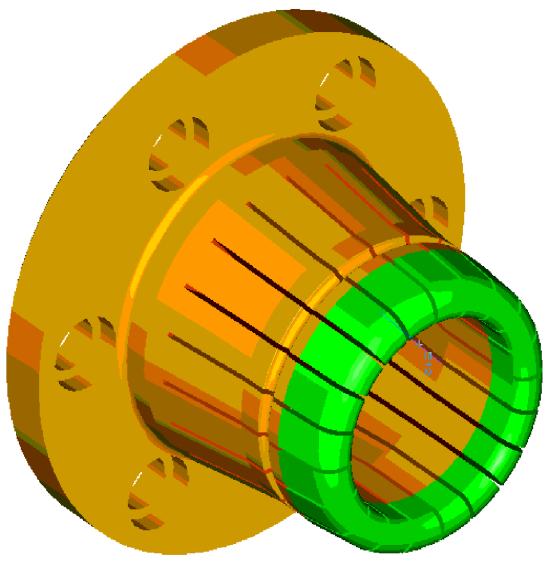


DETAIL-A

NOTE:  
The component shall be silver plated to 10-12 micron thk. as per marking  
All sharp edges shall be machined to 0.4x45°



FINAL ON 12/02/20

VAR. NO.	REMARKS	VAR. ITEM NO.	DESCRIPTION	STD	DRAWING NO.	VAR.	MATL. SPECN.	UNIT	QTY.	ZONE
01	W-Cu, Cu+Cr, Cu		Ø115.0x80.0						01	

GSM-400

DEPT.	GRADE OF TOL. DIM. C/M/F	SCALE	WEIGHT(G)
BHARAT HEAVY ELECTRICALS LTD.	HYDERABAD	NTS	

REV.	DATE	ALTERED CHECKED	REV.	DATE	ALTERED CHECKED	TITLE	CARD CODE	SHEET NO.	NO. OF SHEETS
						SWITCHING CONTACT			