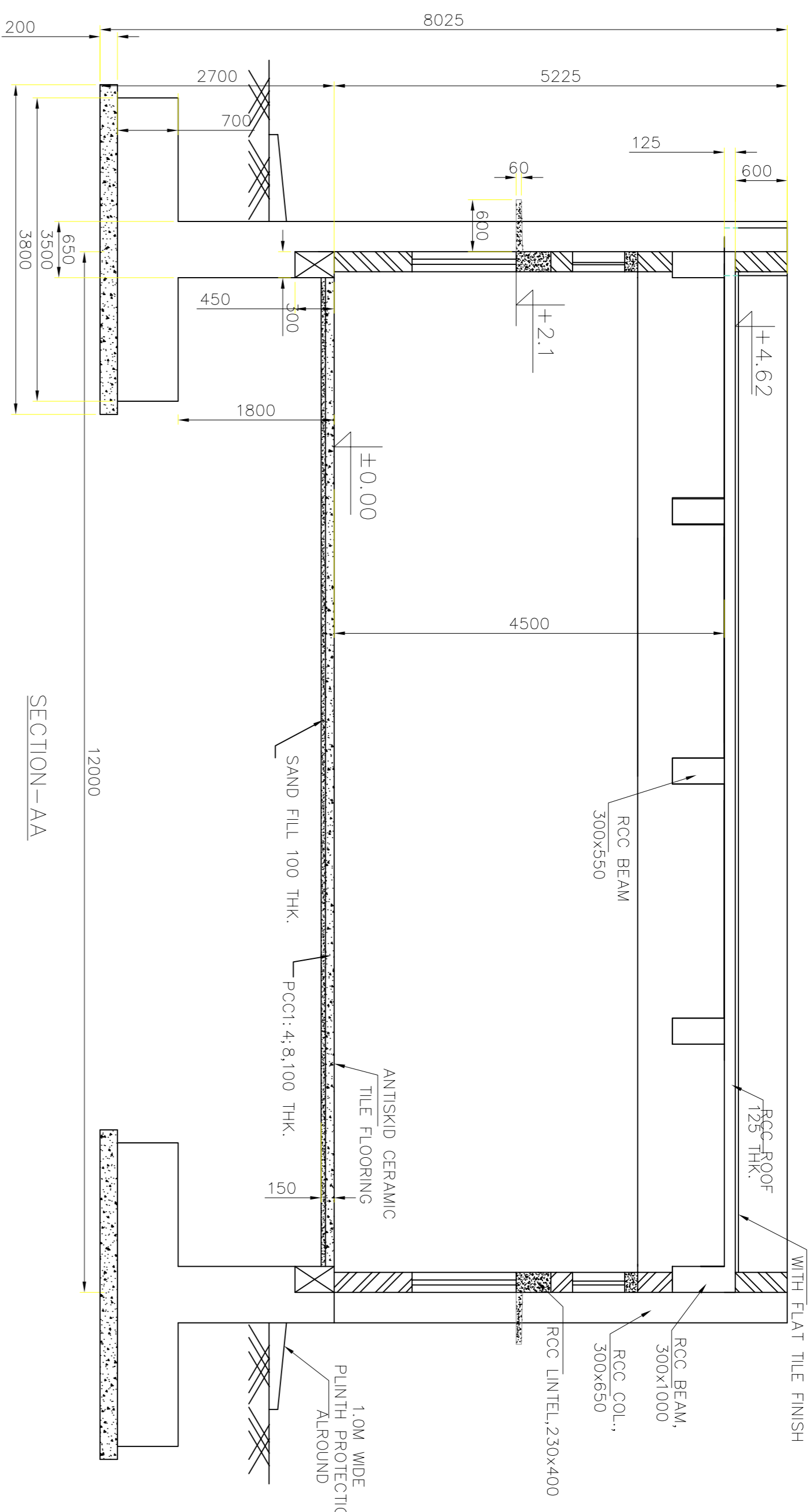
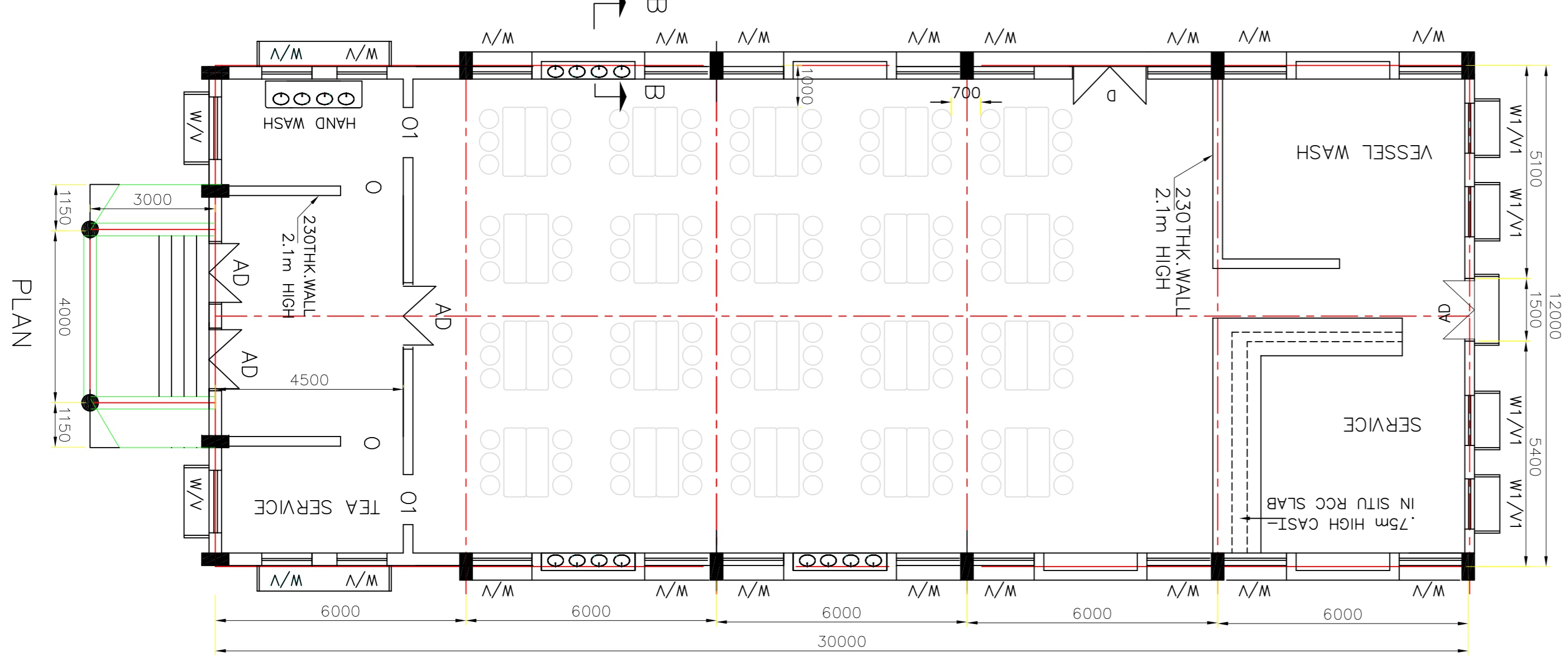


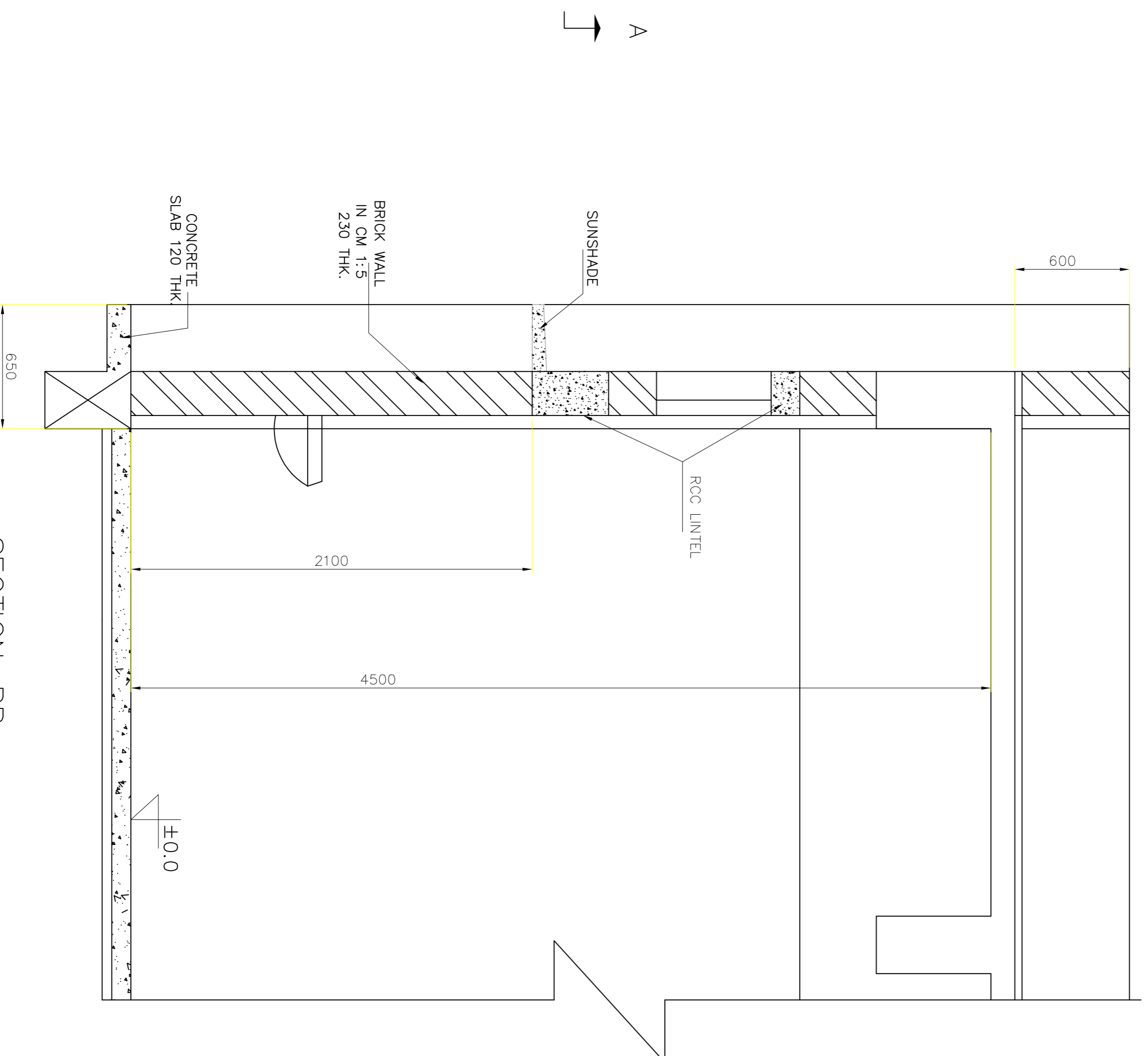
FRONT ELEVATION



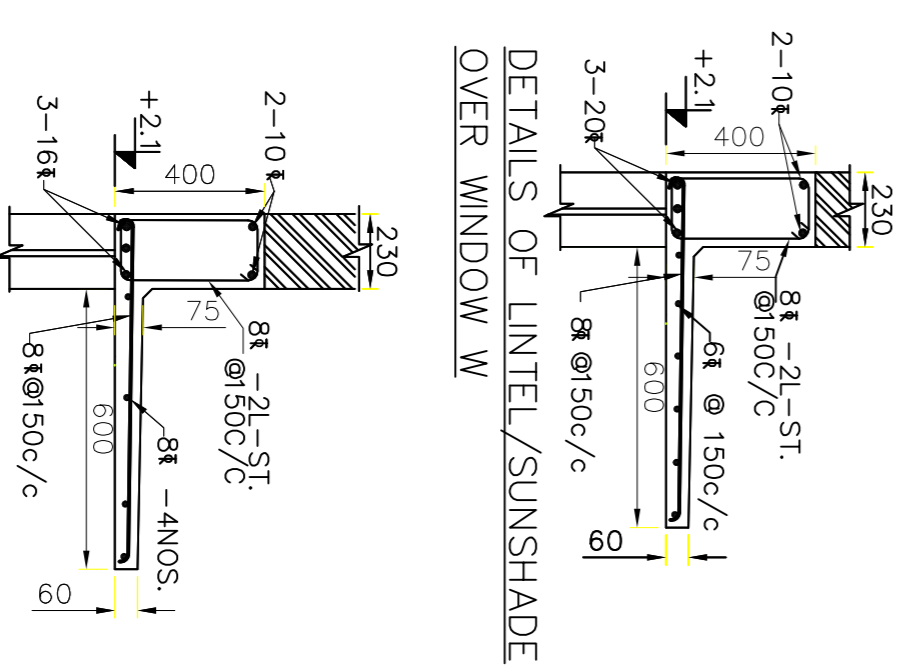
SECTION-AA



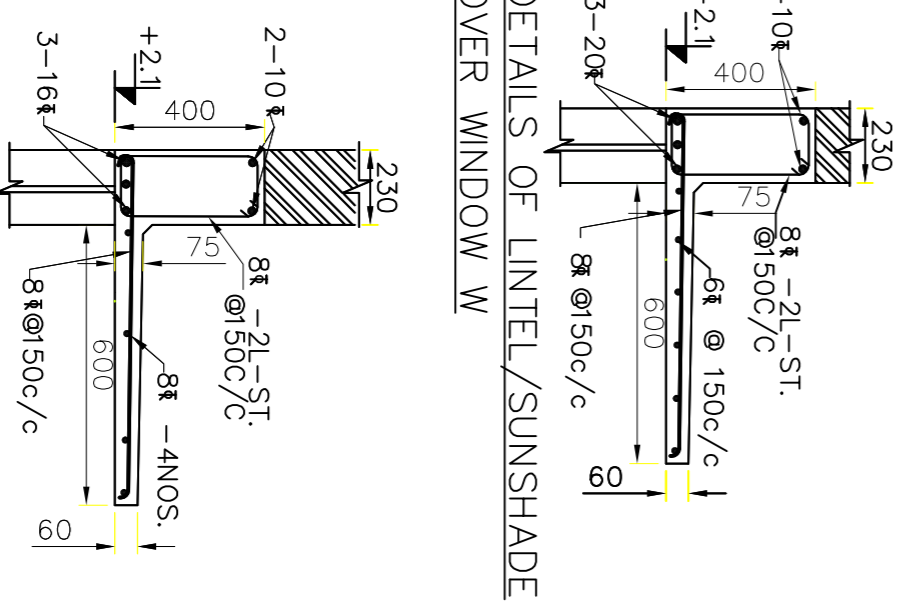
PLAN



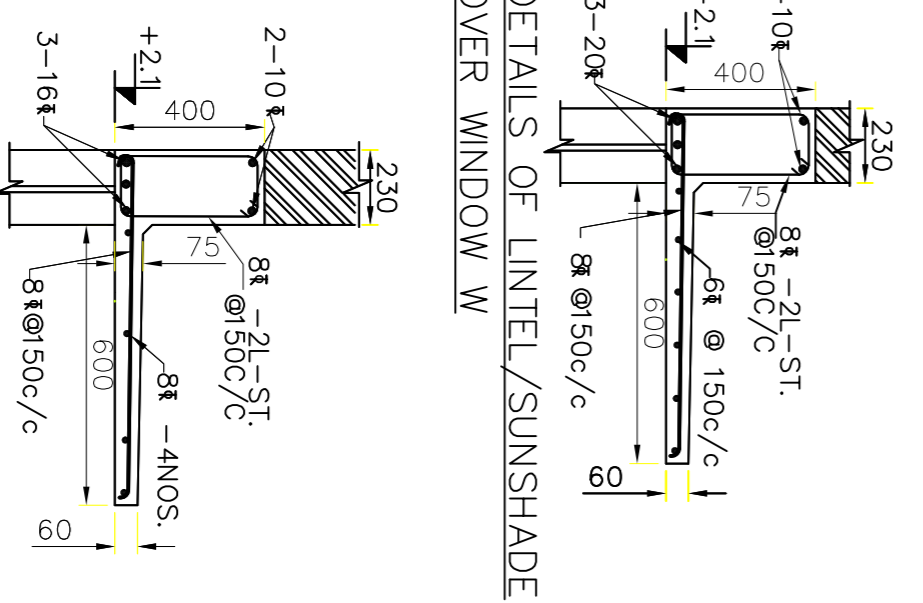
SECTION-BB



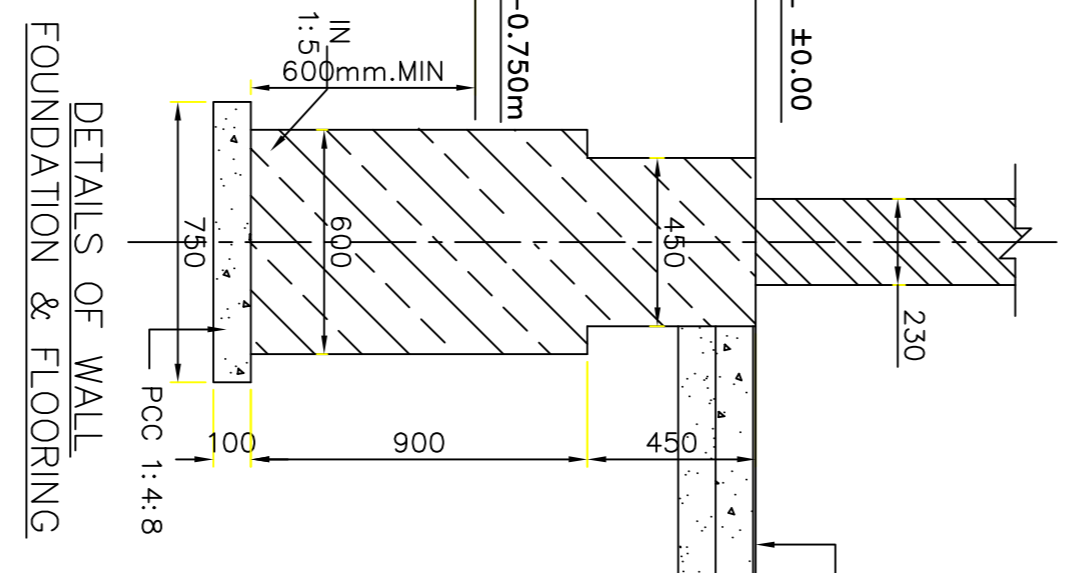
DETAILS OF LINTEL/SUNSHADE OVER WINDOW W



DETAILS OF LINTEL OVER VENTILATOR V AND VI



DETAILS OF LINTEL/SUNSHADE OVER DOOR D AND WINDOW W1



DETAILS OF WALL FOUNDATION & FLOORING

- LEGEND:
- AD - AL GLAZED DOOR 1500x2100
 - D - 1" W FLUSH DOOR (DOUBLE LEAFED) 1800 x 2100
 - W - AL GLAZED SLIDING WINDOW 1500 x 1200
 - V - AL GLAZED VENTILATOR 1500 x 600
 - W1 - AL GLAZED SLIDING WINDOW 1200 x 1200
 - V1 - AL GLAZED VENTILATOR 1200 x 600
 - O - OPENING 1500 x 2100
 - O1 - OPENING 1200 x 2100

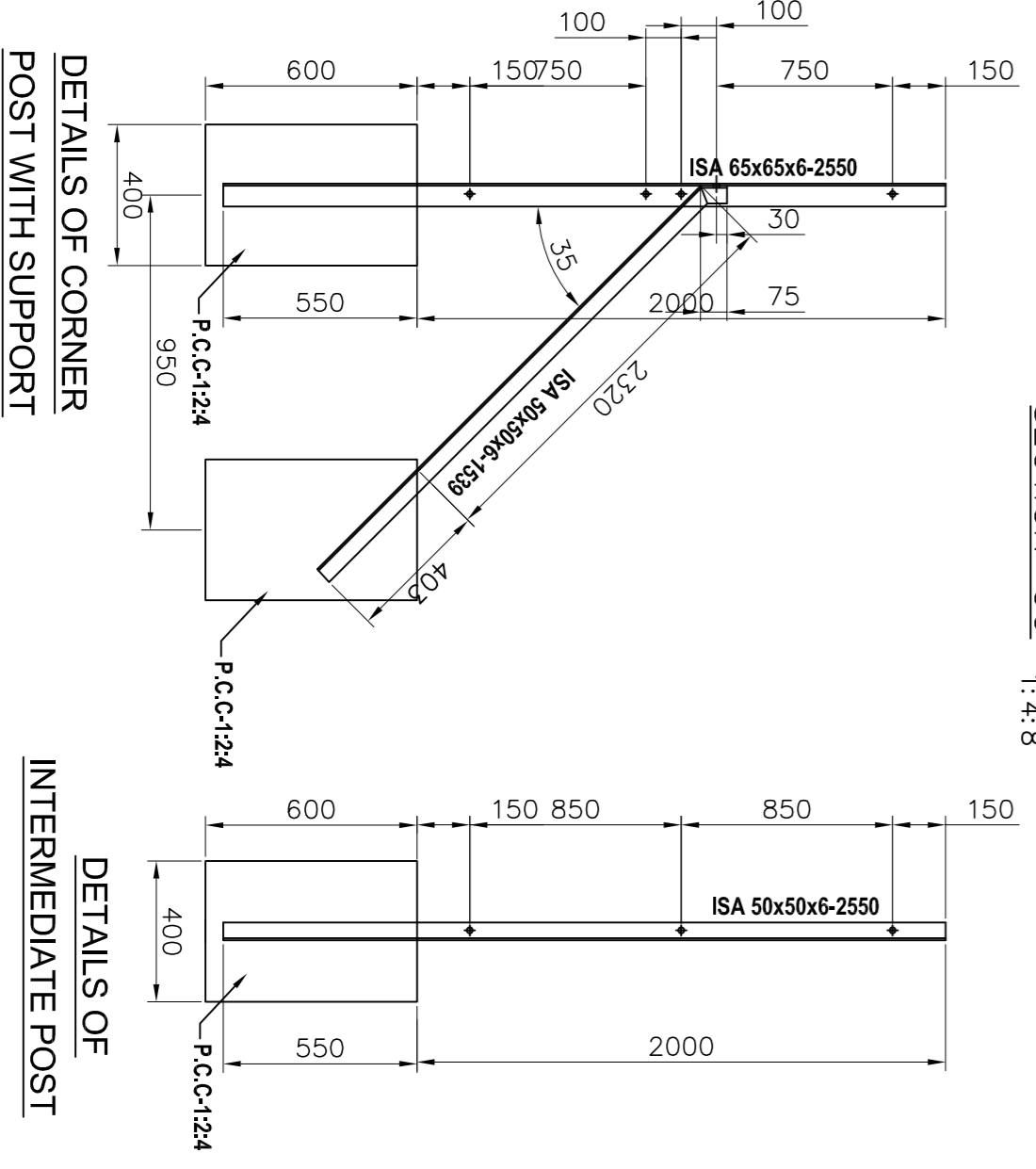
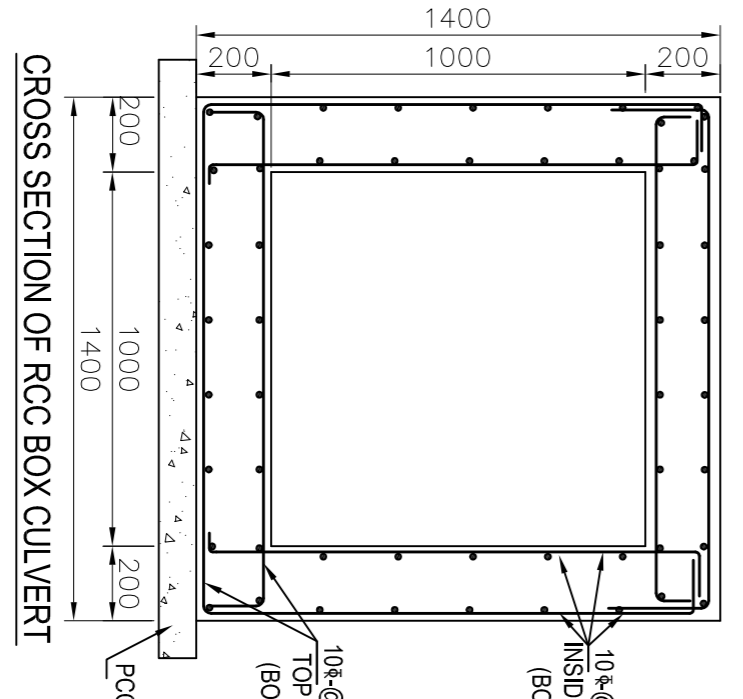
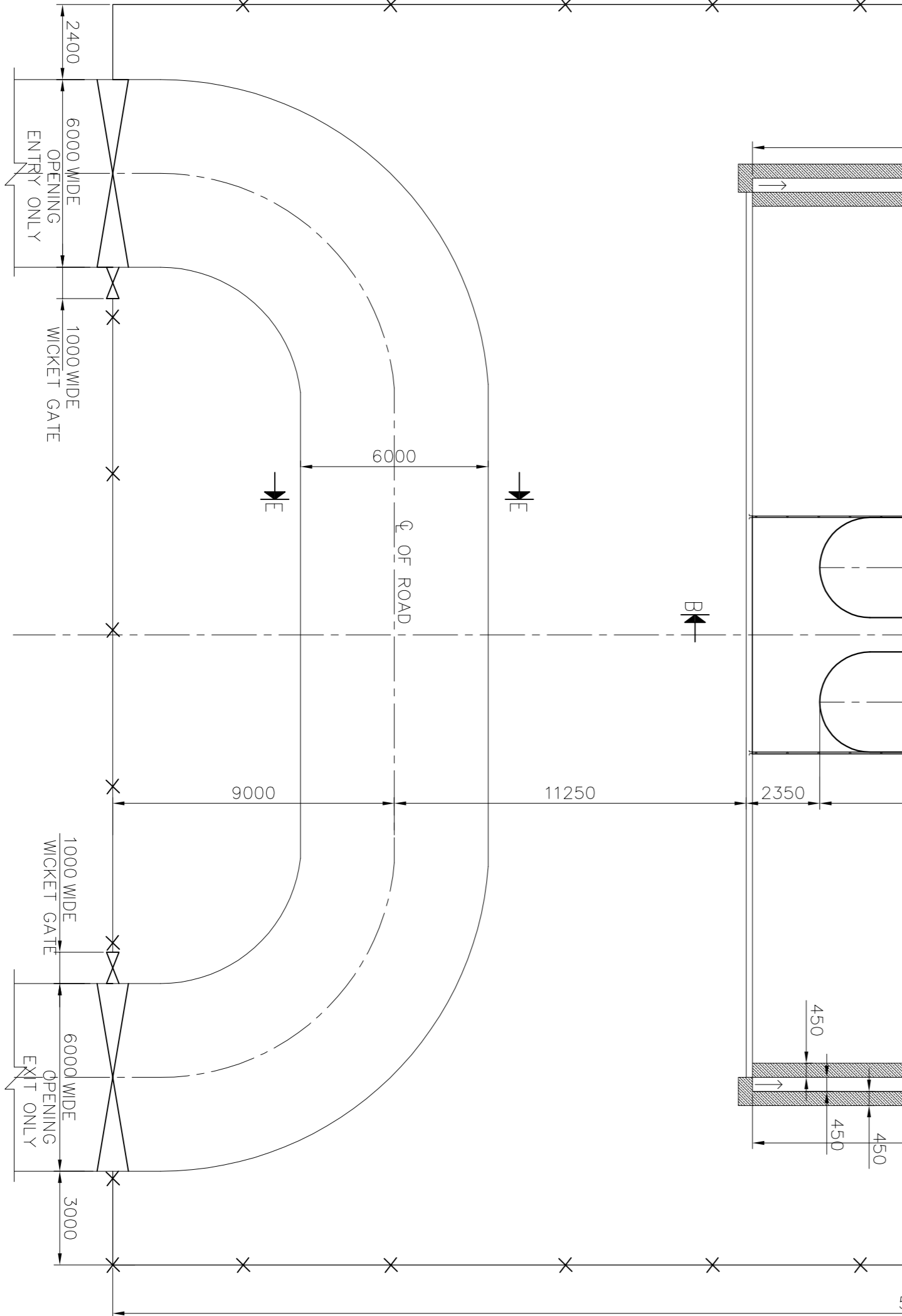
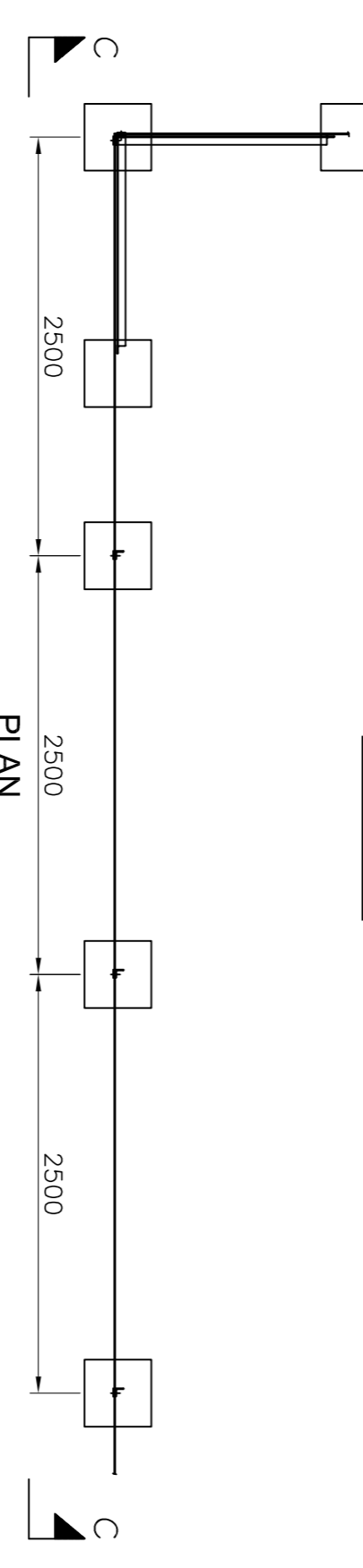
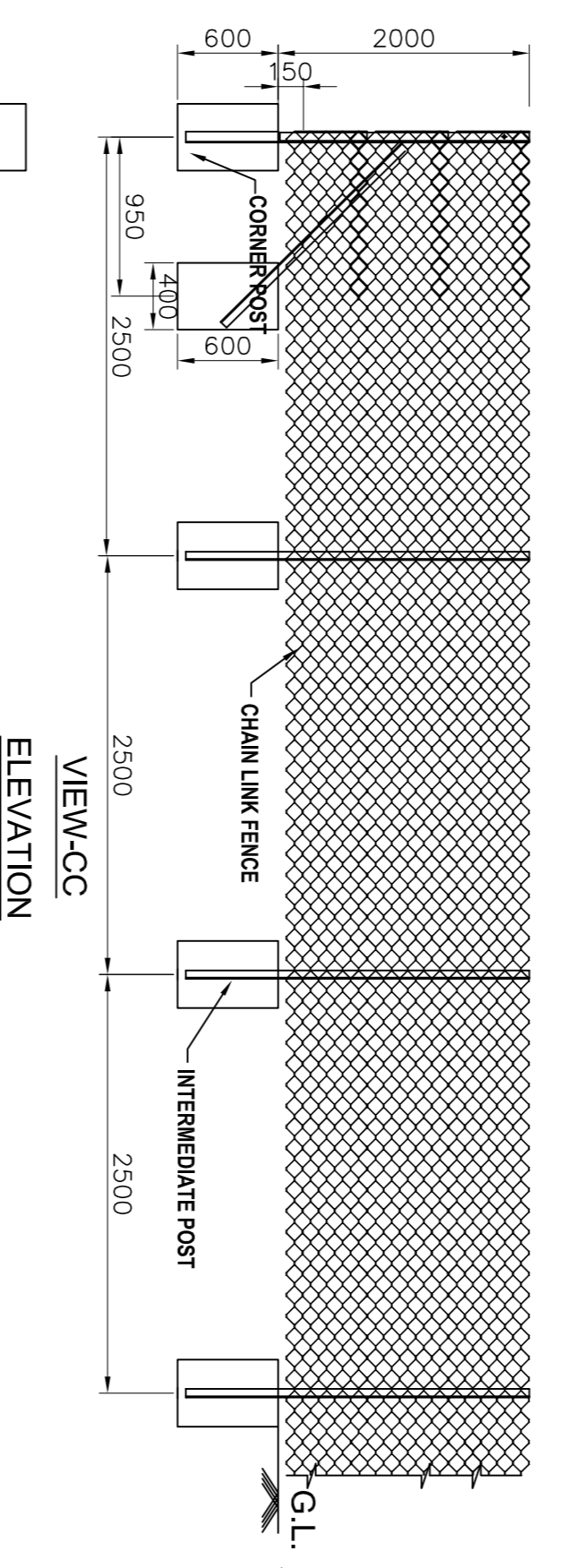
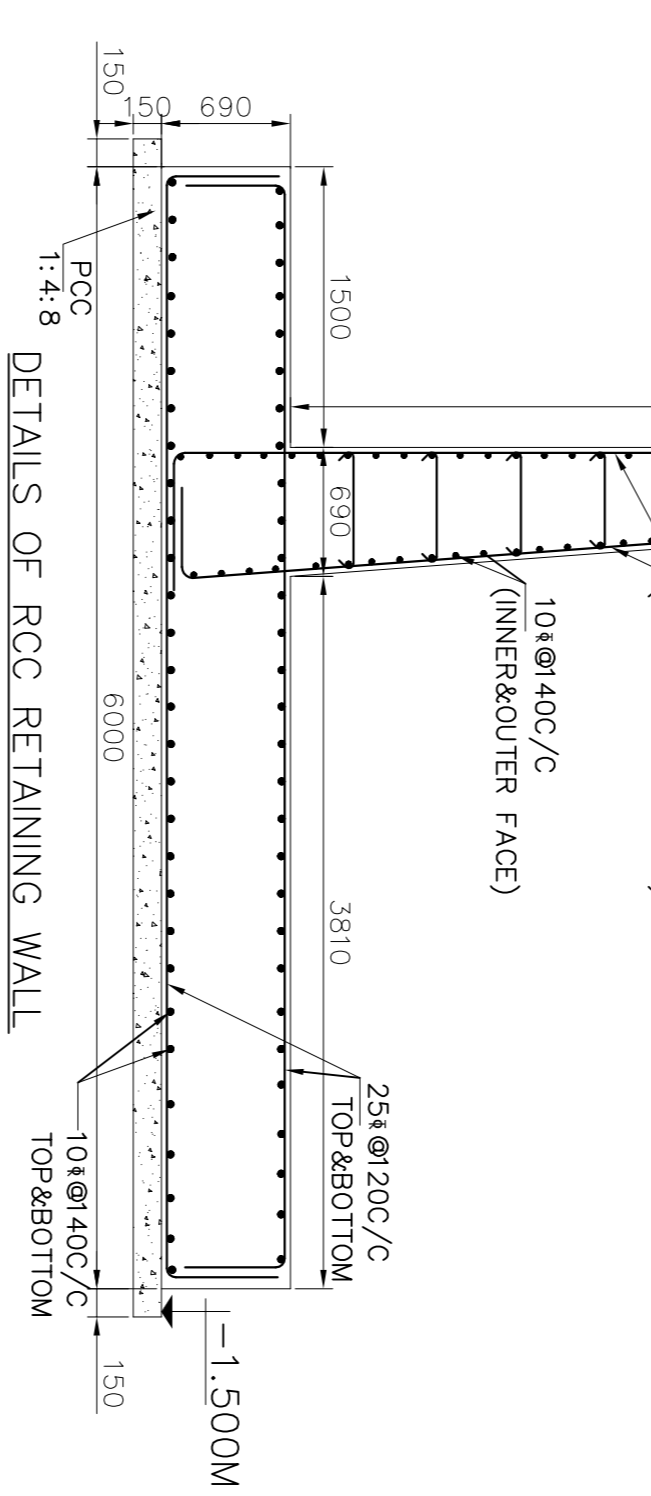
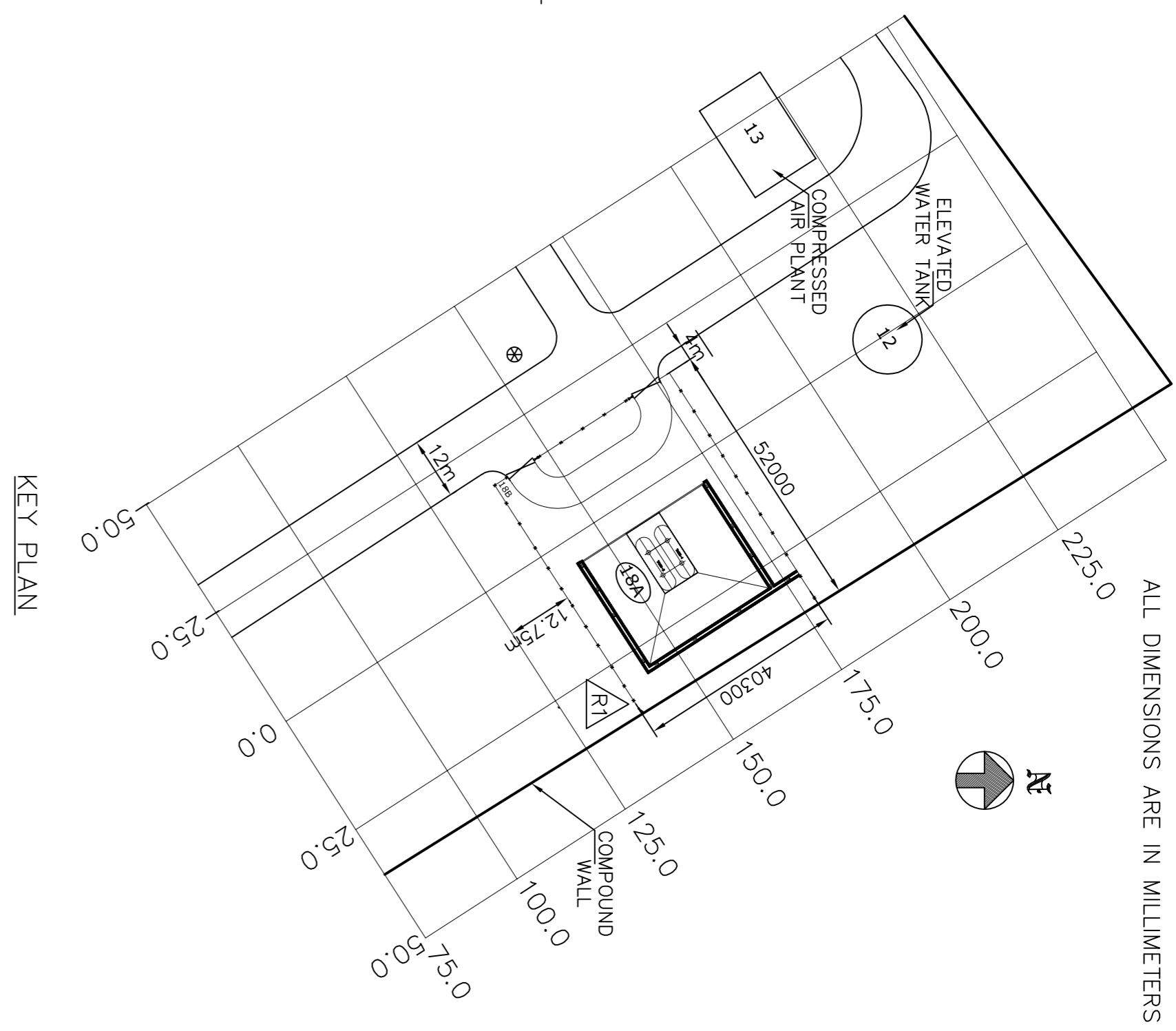
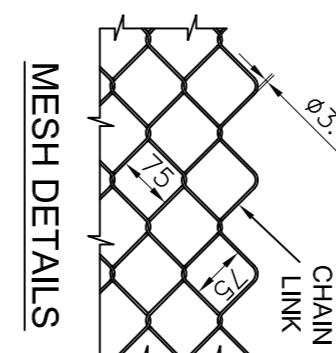
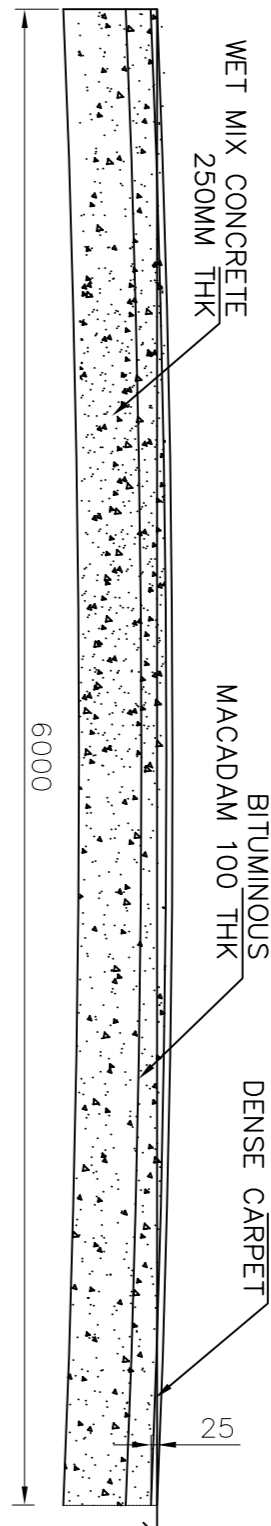
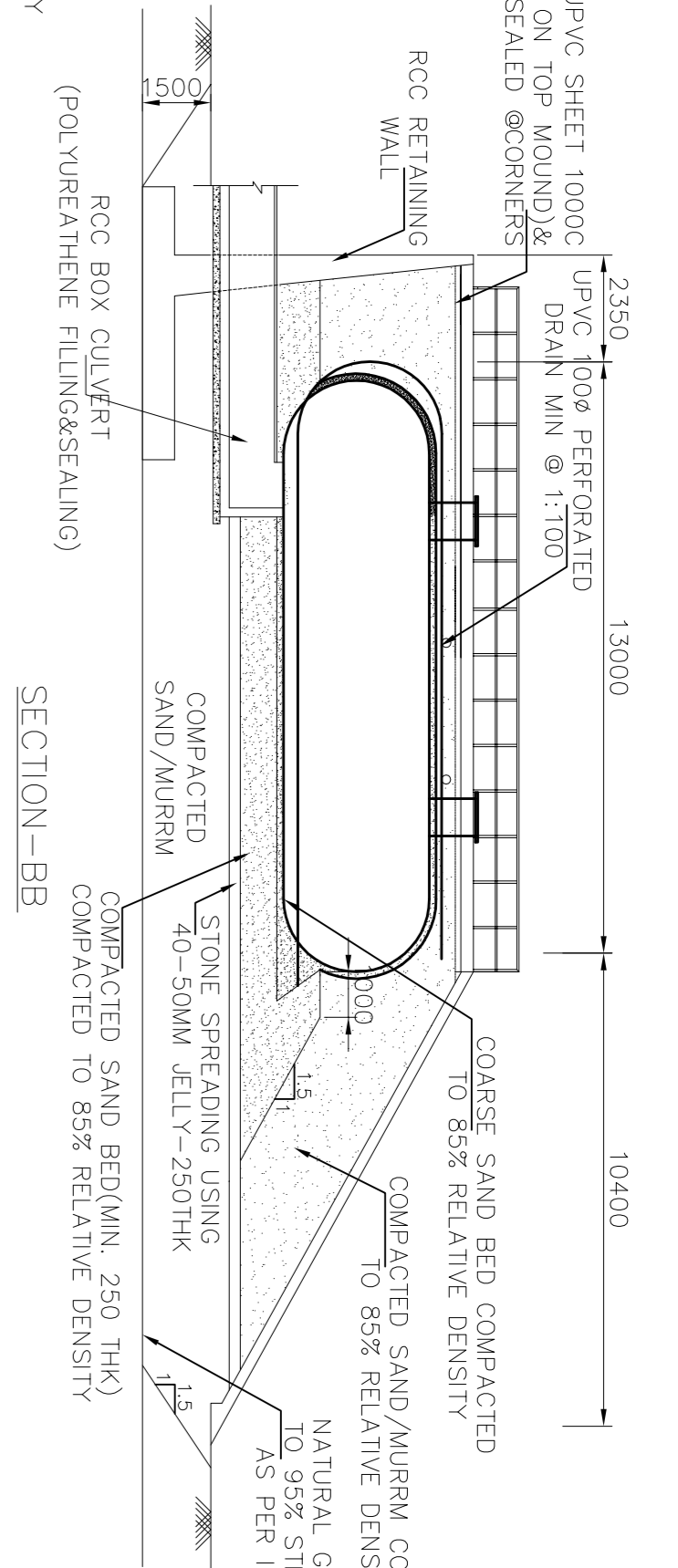
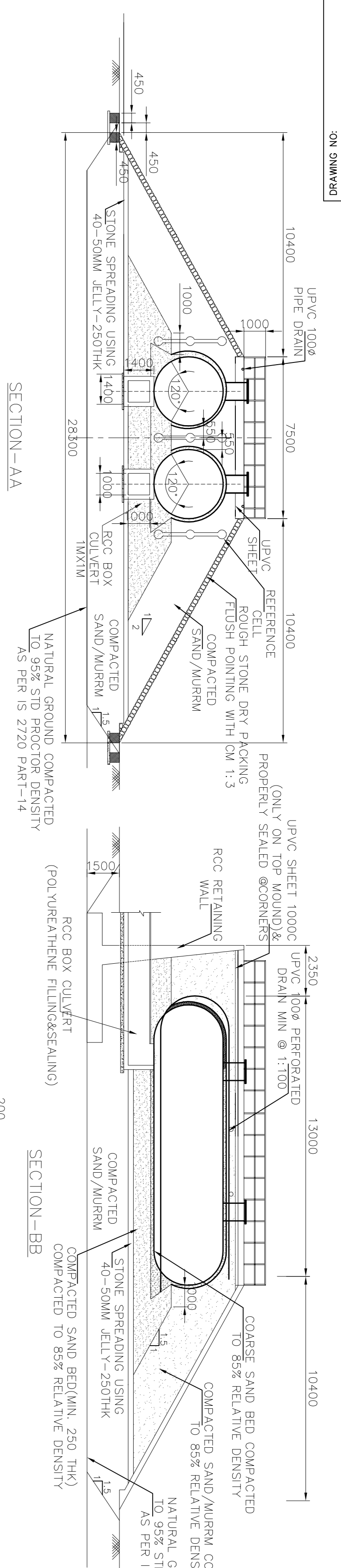
- NOTES:
1. ALL DIMENSIONS ARE IN 'mm'.
 2. FOR R/C DETAILS, REFER SEPARATE DRG.
 3. CLEAR COVER TO REINFORCEMENT OF SUNSHADE 20mm & LINTEL 25mm

CAUTION: The information on this document is the property of BHARAT HEAVY ELECTRICALS LTD. It must not be used directly or indirectly in any way detrimental to the interest of the company.

TYPE OF PRODUCT OR NAME OF CUSTOMER/PROJECT		POWER PLANT PIPING UNIT- THIRUMAYAM	
Bharat Heavy Electricals Ltd		UNIT: HIGH PRESSURE BOILER PLANT	
TRUCHIRAPPALLI - 620014		SCALE: 1:20; 500x100	
DRN: E.Lijayraj	DATE:	DRWING NO: 1-TP-CEG-00806	REV
CHK: R.Poornikumar			
APP: K.Gunasekaran			
REF TO ASSY / ASD DWG			
WEIGHT (kg)			
UNIT: CM/F			
CODE: Z200			
DEPT: CIVIL			

ZONE	NO. OF	NO. OF
	ITEMS	REV

ALL DIMENSIONS ARE IN MILLIMETERS



NOTES:-

- 1) ALL DIMENSIONS ARE IN MM. LEVELS ARE IN M.
- 2) DO NOT SCALE THE DRAWING. FOLLOW WRITTEN DIMENSION ONLY.
- 3) CLEAR COVER TO REINFORCEMENT - 20MM.
- 4) CONCRETE GRADE M20.
- 5) ALL REINFORCEMENT BARS SHALL BE HIGH YIELD STRENGTH DEFORMED BARS CONFORMING TO IS - 1786 (LATEST REVISION).
- 6) FOR THE DETAILS OF GATE REEFER SEPARATE DRG.
- 7) FOR THE DETAILS OF CONTROL ROOM REFER SEPARATE DRG.

CAUTION: The information on this document is the property of BHARAT HEAVY ELECTRICALS LTD. It must not be used directly or indirectly in any way detrimental to the interest of the company.	
DEPT. CODE: 2300	DATE: 29/11/11
UNIT: HIGH PRESSURE BOILER PLANT	DESCRIPTION: GENERALLY REVISED
TRUCHIRAPALLI - 620014	SIGN:
SCALE: 1:1000:1:50:1:40	
SCALE: 1:300:1:20:1:10	
WEIGHT (kg):	
REF. TO ASSY / A/D DWG:	
DRAWING NO.: 1-TP-CEG-00721	
REV. NO. OF ITEMS: 01	

TYPE OF PRODUCT OR NAME OF CUSTOMER/PROJECT: POWER PLANT PIPING UNIT- THIRUMAYAM

NAME: BHARAT HEAVY ELECTRICALS LTD

DESIGNER: RAJANIKANTH BE

DATE: 29/11/11

ALL DIMENSIONS ARE IN MILLIMETERS