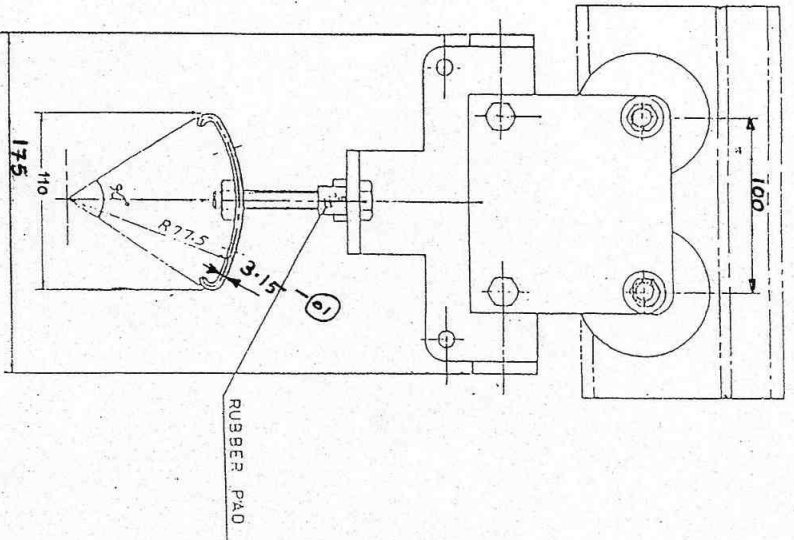
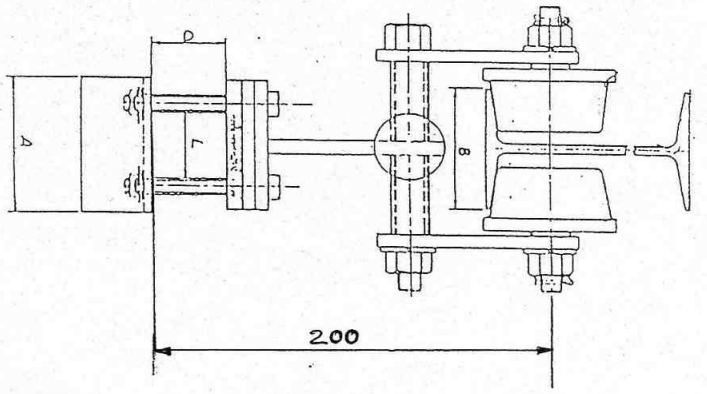


DRG. NO.



ELEVATION

NOTE:-
 1. DIMENSION 'B' CAN BE 65 OR 75 MM, DEPENDING UPON THE SIZE OF JOIST BEING USED. THIS IS TO BE SPECIFIED BY CUSTOMER AT THE TIME OF PLACEMENT OF ORDER.
 2. DIMENSIONS A & L D DEPEND ON NO. & DIA. OF CABLES TROLLEY CAN BE DESIGNED WITH FOLLOWING MAX. DIMENSIONS:
 A = 100MM
 L = 72MM
 D = 35MM



END VIEW

ITEM NO.	DESCRIPTION	DRAWING NO.	VAR NO.	RAW MATERIAL SIZE OR CASTING DRG. NO. OR FORGING DRG. NO.	MATERIAL CODE	NET WT.	GROSS WT.

THE FOLLOWING CONDITIONS APPLY EXCEPT OTHERWISE STATED

- REFER TO HYD210281 FOR UNSPECIFIED TOLERANCES
- CHAMFER M/C.D. SHARP EDGES 1.2 TO 1.0 AT 45°
- INTERNAL M/C.D. CORNER RADI 1 TO 0.7
- THE SURFACE ROUGHNESS WHEREVER NOT SHOWN SHALL BE TAKEN FROM THE SURFACE ROUGHNESS SHOWN OUT SIDE THE BACK SLASHES WITH AT THE TOP MOST BRITISH CORNER OF THE DRG.

E.O.T. CRANE ; FLEXIBLE CABLE TROLLEY
 TYPE - C
 F. NO: 475



भारत हेवी इलेक्ट्रिकल्स लिमिटेड
 भारतीय भारतीया भारतीया
 NAME OF PRODUCT OR TYPE OF CUSTOMER/PROJECT

डिजाइनर	डिजाइन	डिजाइन	डिजाइन
N.V.D.P.	K.P.H.L.K.	C.S.K.	
02/03/16	02/03/16	02/03/16	

भाग/PLANT DESIGN	भाग/SCALE	भाग/N.T.S.	भाग/WEIGHT (K.G.)
335			

शीट/TYPE	शीट/SIGN	शीट/DATE
CABLE TROLLEY 275		

शीट/DRWING NO	शीट/ITEMS
3-RS-9308	00