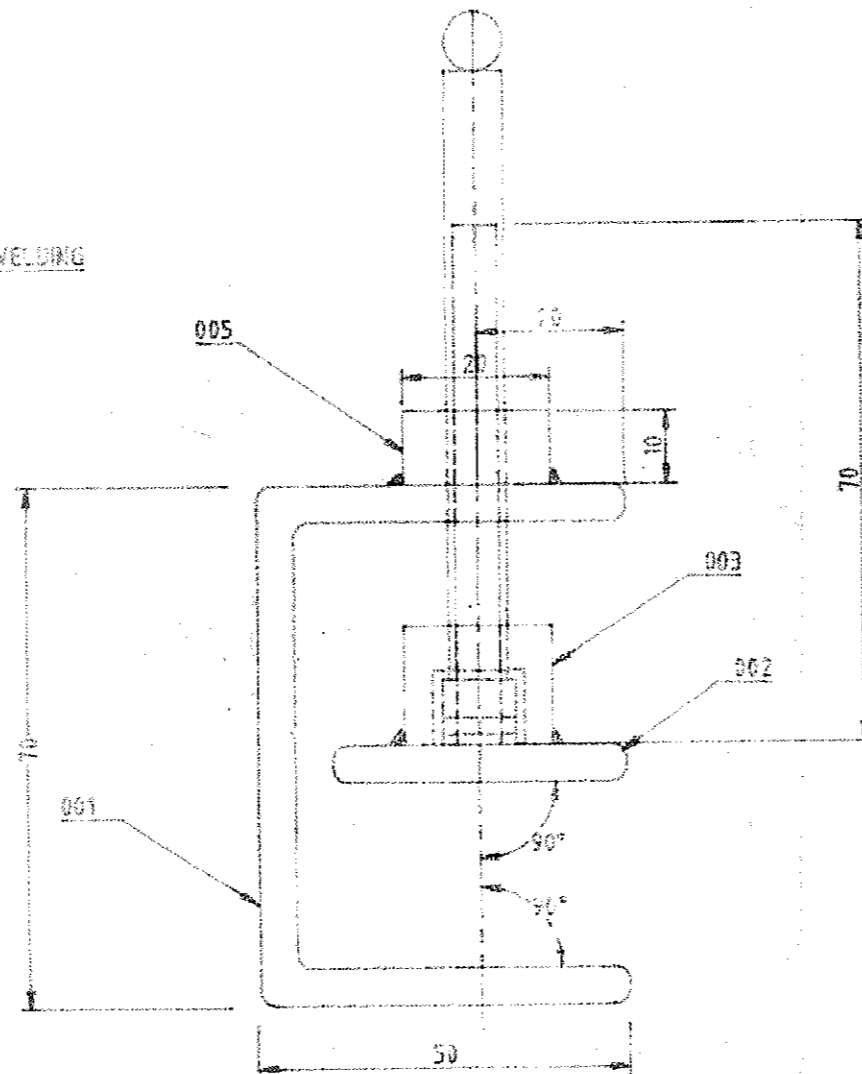
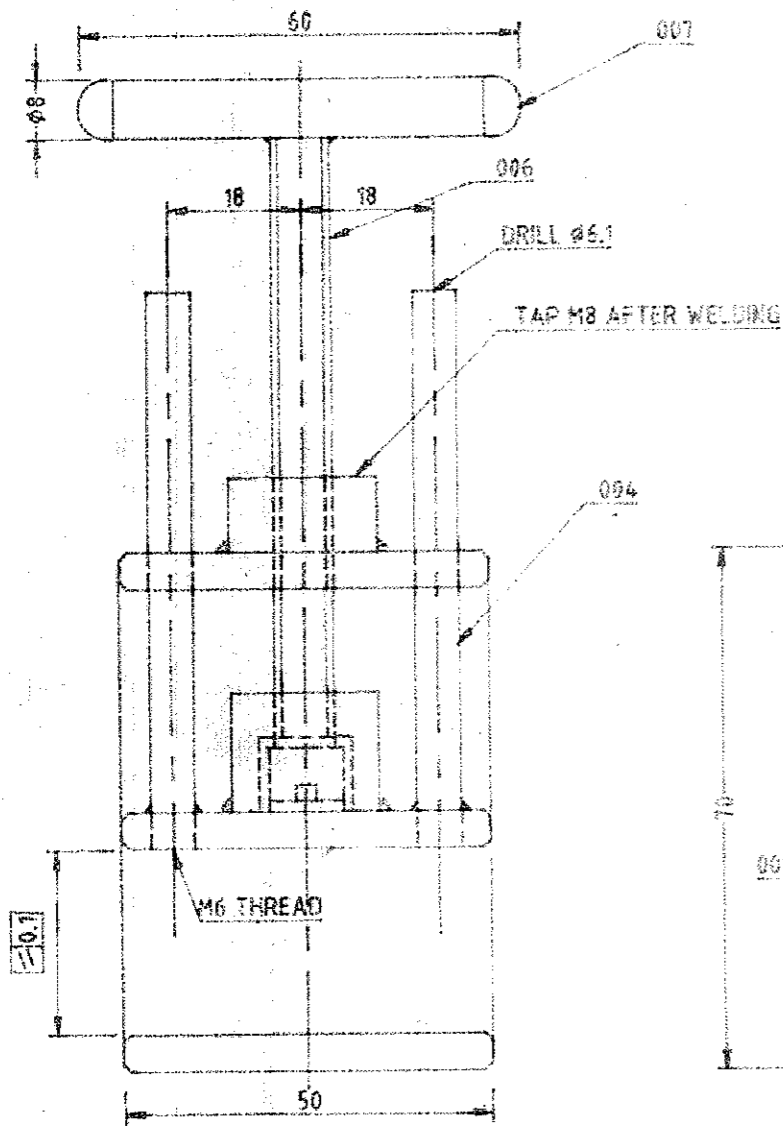


30021040



REMARK :-

- ALL EDGES TO BE ROUNDED.
- APPLY ONE COAT OF RED OXIDE AND TWO COAT OF LEMON YELLOW PAINT OF NON MOVING PARTS.
- SCREW MOVE MENT MUST BE SMOOTH AND FLAT MUST BE PARELLEL

QTY.	REMARK S	ITEM NO.	DESCRIPTION
01		007	STEEL ROD Ø 8 x 60 LONG
01	STD	006	CHEESE SCREW M 8 x 90 LONG
01		005	STEEL ROD Ø 20 x 10 LONG
02		004	STEEL ROD Ø 6 x 70 LONG
01		003	STEEL ROD Ø 20 x 20 LONG
01		002	STEEL FLAT 5 x 50 x 40
01	TO BE BENDED	001	STEEL FLAT 5 x 50 x 170

ALL DIMENSIONS ARE IN MM

REF. DRG. NO.

SCALE AND DATE

WORKSHOP NO.

ADDITIONAL INFORMATION		TYPE OF PRODUCT	
W.D. _____		OR _____	
STATUS OF DRAWING		NAME OF CUSTOMER/PROJECT	
U		WINDING	
		BHARAT HEAVY ELECTRICALS LTD.	
		JHANSI	
		TOOLING SECTION	
		NAME _____ SIGN _____ DATE _____	
		DRN K.N. CHAUBEY _____ 19.08.98	
		DND _____ 19.08.98	
		APPD H.V. BHATIA _____ 20.08.98	
DEPT	TOOLING	GRADE OF TOL. ENGR.	SCALE
CODE	282	C/M/T	1:1
TITLE	CLAMP		WEIGHT (KG)
REV	DATE	ALTERED	REF. TO ASSY. DRG.
		CHECKED	
		CHECKED	
			DRG. NO. 30021040
			REV. 00
			SHEET NO. _____ NO. OF SHEET _____