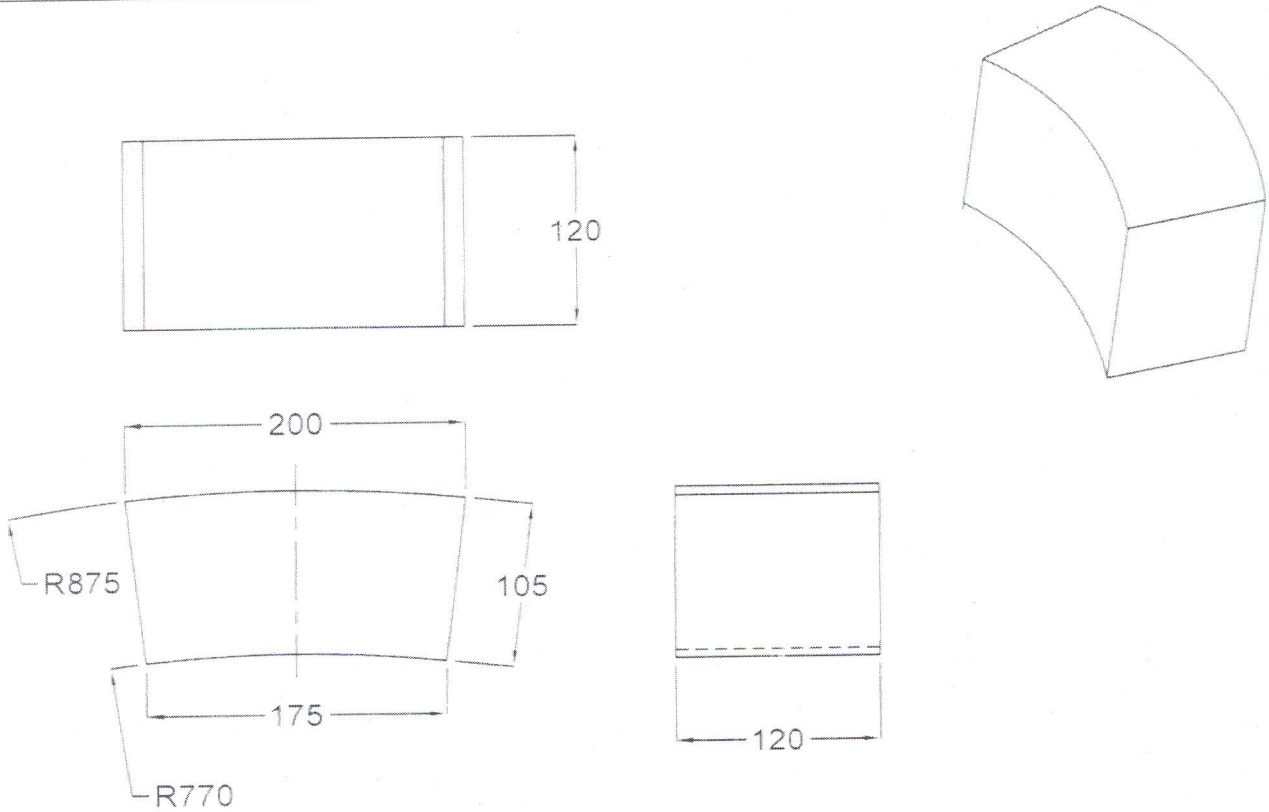


FIRST ANGLE PROJECTION

(ALL DIMENSIONS ARE IN mm)

THE INFORMATION ON THIS DOCUMENT IS THE PROPERTY OF BHARAT HEAVY ELECTRICALS LIMITED IT MUST NOT BE USED DIRECTLY OR INDIRECTLY IN ANY WAY DETRIMENTAL TO THE INTEREST OF THE COMPANY


REV.	DATE	ALTERED	REV.	DATE	ALTERED
		CHECKED			CHECKED



MATERIAL : HIGH HEAT DUTY

FIRE CLAY (40% Al₂O₃)

SPEC : AA 53304 TYPE II.

INVENTORY NO	SIGN AND DATE	REF DRG NO	REMARKS		ITEM NO	DESCRIPTION	STD	AA 53304	06	
								MATL CODE	UNIT WT	
							MATL SPEN	A/C UNIT	QTY	
				 BHARAT HEAVY ELECTRICALS LTD. HYDERABAD		DRN.	NAME	SIGN	DATE	NO OF VAR
						CHD.	V.L NATH	<i>[Signature]</i>	13-8-12	
						APPD.	A.N SUDHAKAR	<i>[Signature]</i>	13-8-12	-NA-
							M.N.A	<i>[Signature]</i>	13-8-12	
GENERAL DIMENSIONAL LIMITS, FITS & TOLERANCES AS PER P.S: HY02.30261		DEPT F&P	UNTOL DIM GR	SCALE	WEIGHT(KG)	REF TO ASSY DRG	ITEM NO	NO OF ITEMS		
		CODE 204A	C/M/E/	N.T.S		-NA-	-NA-	-NA-		
TITLE		LADDLE BRICK FOR 15T LADLE				CARD CODE	DRAWING NO.		REV	
						-NA-	4-04-916	00		
						SHT No.	1	NO OF SHT.	1	