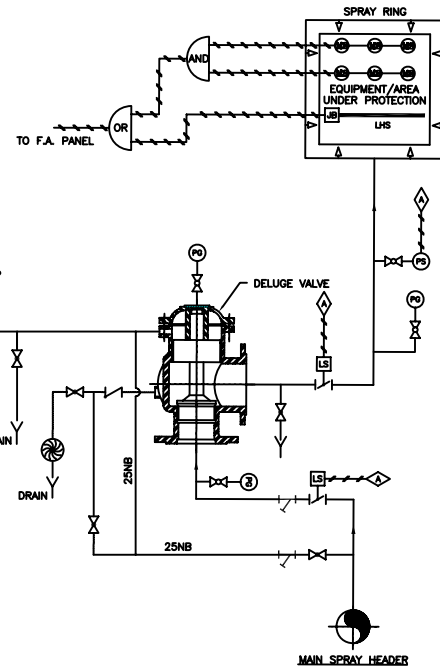
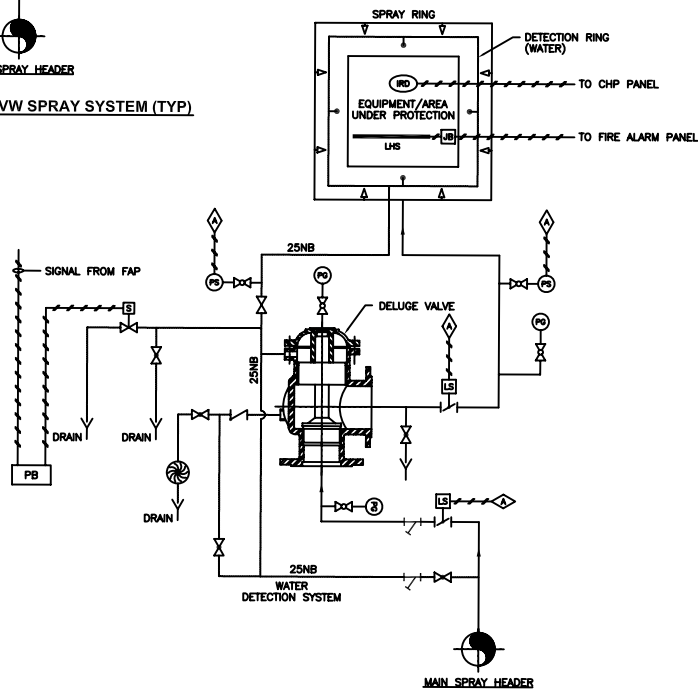


AUTOMATIC HWV SPRAY SYSTEM (TYP)



**AUTOMATIC MVV SPRAY SYSTEM (TYP)
FOR CABLE VAULT/CABLE GALLERIES**



**AUTOMATIC MVV SPRAY SYSTEM (TYP)
FOR COAL HANDLING PLANT**

LEGEND :

- SPRAY LINE
- CONTROL CABLE
- WET DETECTION PIPE
- ⊞ SOLENOID VALVE
- ⊞ GLOBE VALVE - NORMALLY OPEN
- ⊞ GLOBE VALVE - NORMALLY CLOSED
- ⊞ BUTTERFLY VALVE/GATE VALVE
- ⊞ NON RETURN VALVE
- ⊞ BUTTERFLY VALVE/GATE VALVE WITH LIMIT SWITCH
- ⊞ Y TYPE STRAINER
- ⊞ ANNUNCIATION IN FIRE ALARM PANEL
- ⊞ WATER MOTOR GONG
- ⊞ DRAIN
- ⊞ PRESSURE SWITCH
- ⊞ PRESSURE GAUGE
- ⊞ TEST PRESSURE GAUGE
- ⊞ MULTISENSOR DETECTOR
- ⊞ PHOTOELECTRIC SMOKE DETECTOR
- ⊞ LINEAR HEAT SENSER
- ⊞ INFRA RED DETECTOR
- ⊞ PUSH BUTTON STATION
- ⊞ JUNCTION BOX
- ⊞ LIMIT SWITCH
- ⊞ QUARTZOID BULB DETECTORS

FOR TENDER PURPOSE ONLY

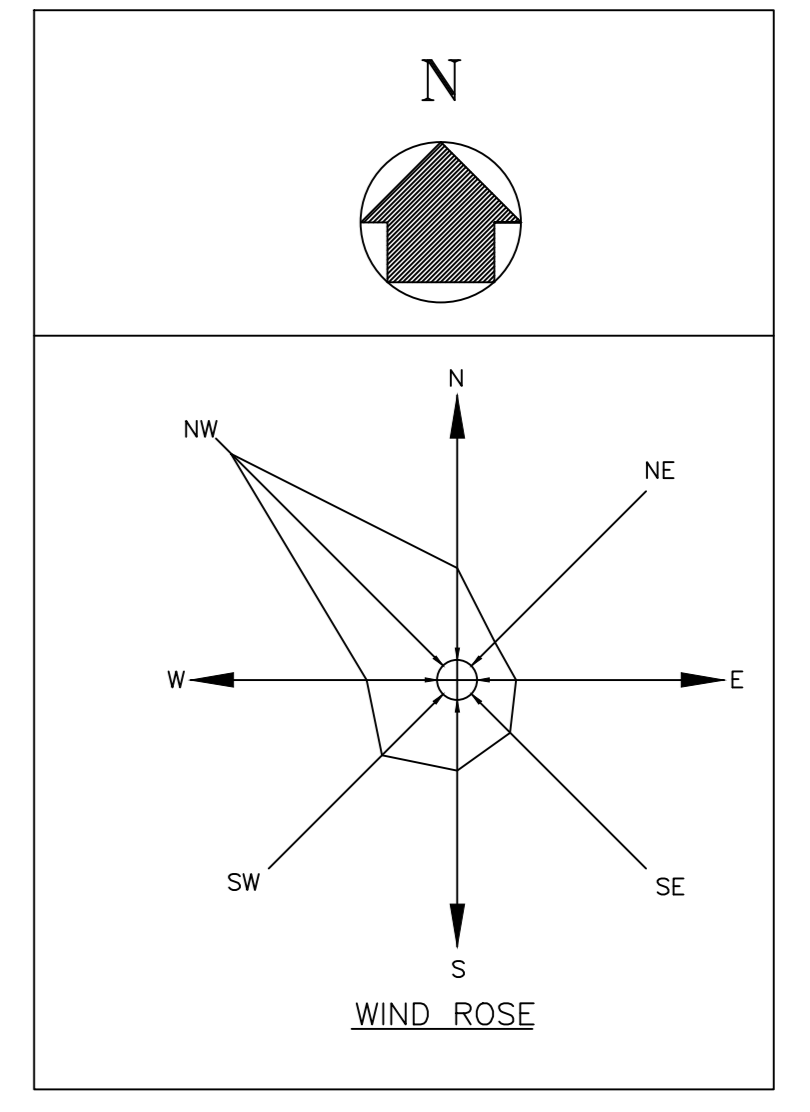
NTPC Limited
POWER CORPORATION OF INDIA LIMITED

NORTH KARANKPURA SUPER THERMAL POWER PROJECT

FAP DIAGRAM OF HWV/MVV SPRAY SYSTEM

DATE: 14/08/2008
 SCALE: AS SHOWN
 SHEET NO: 4410-001-POM-A-048
 OF 1

NO.	DESCRIPTION	REV.	DATE	BY	CHKD.	APPD.	DATE

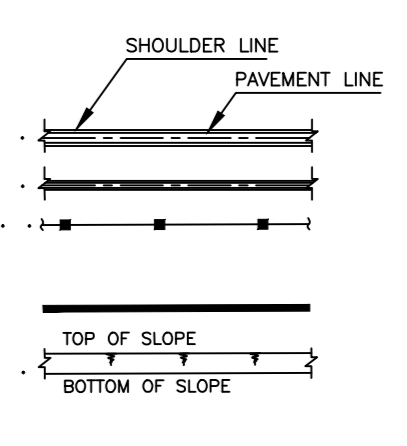


LIST OF BUILDING/EQUIPMENT SHOWN

NO	DESCRIPTION
1	SWITCHYARD
2	TRANSFORMER YARD
3	POWER HOUSE BUILDING
4	BOILER
5	MILL BAY
6	ELECTROSTATIC PRECIPITATOR
7	STACK
8	COAL STOCK YARD
9	ASH HANDLING PLANT
10	MCC D/W CONTROL ROOM FOR CHP
11	PT PLANT
12	D/W PLANT(S)/CONVENTIONAL
13	D.W. WATER TANKS & PUMP HOUSE
14	SEWAGE TREATMENT PLANT
15	EFFLUENT TREATMENT PLANT
16	CW TREATMENT & CHLORINATION PLANT
17	F.O. UNLOADING, STORAGE & FORWARDING AREA
18	CANTEEN
19	O&M STORES
20	WORKSHOP
21	COOLING TOWER
22	A.C.W. PUMP HOUSE
23	COMPRESSOR HOUSE
24	ADMINISTRATIVE BUILDING COMPLEX
25	FLY ASH SLO / ASH DESPATCH AREA
26	CONSTRUCTION YARD
27	DG SET
28	ESP CONTROL ROOM
29	CONDENSATE STORAGE TANK
30	ASH COMPRESSOR HOUSE
31	CHEMICAL HOUSE-PT PLANT
32	FIRE STATION
33	AUDITORIUM
34	SWITCHYARD CONTROL ROOM
35	MAIN GATE
36	SERVICE BUILDING
37	ASH WATER TANK/ PUMP HOUSE
38	HYDROGEN GENERATION PLANT
39	AUXILIARY BOILER
40	NTPC'S CONSTRUCTION OFFICE SPACES
41	CLARIFIED WATER TANK & PUMP HOUSE
42	FILTERED WATER TANK & PUMP HOUSE
43	CHEMICAL LAB-D/W PLANT
44	FIRE WATER TANKS & PUMP HOUSE
45	FIRE WATER BOOSTER PUMP HOUSE
46	CPH REGENERATION AREA
47	BA SLURRY PUMP HOUSE

LEGEND:

- 1. ROADS (DOUBLE LANE)
- 2. ROADS (SINGLE LANE)
- 3. BOUNDARY WALL (IN BHEL'S SCOPE)
- 4. LAND ACQUISITION LINE
- 5. SLOPE LINE



NOTES:-

1. ALL DIMENSIONS ARE IN MM & ELEVATIONS IN METERS UNLESS STATED OTHERWISE.
2. FINISH FLOOR LEVEL = RL (+)457.50 M. CORRESPONDS TO PLANT EL. 0.0M (GROUND FLOOR OF STG BUILDING) FINISHED GROUND LEVEL OF BOP AREAS AS MARKED.
3. LOCATION/SIZE OF BOP FACILITIES IS TENTATIVE ONLY.
4. APPROACH ROAD TO TOWNSHIP IS IN OWNER'S SCOPE.
5. SEPARATE STORM WATER DRAINAGE SHALL BE PROVIDED FROM TOWNSHIP TO DRAIN OUTFALL BY OWNER.
6. ROADS, DRAINS, BOUNDARY WALL, BUILDINGS, VARIOUS FACILITIES ETC. FOR TOWNSHIP ARE IN OWNER'S SCOPE OF WORK.
7. ASH POND IS IN OWNER'S SCOPE OF WORK.

NTPC DWG. NO: 4410-001-999-POC-F-001

CUSTOMER: **NTPC Limited**
(A GOVERNMENT OF INDIA ENTERPRISE)

PROJECT: **NORTH KARANPURA SUPER THERMAL POWER PROJECT**
(3X660MW)

POWER SECTOR
PROJECT ENGINEERING MANAGEMENT
NOIDA

DEPT: NAME: SIGN: DATE:
DRN: APS: -SD- 04.06.14
DESIGN: KK: -SD- 04.06.14
C/D: SC: -SD- 04.06.14
APPRO: AJ: -SD- 04.06.14

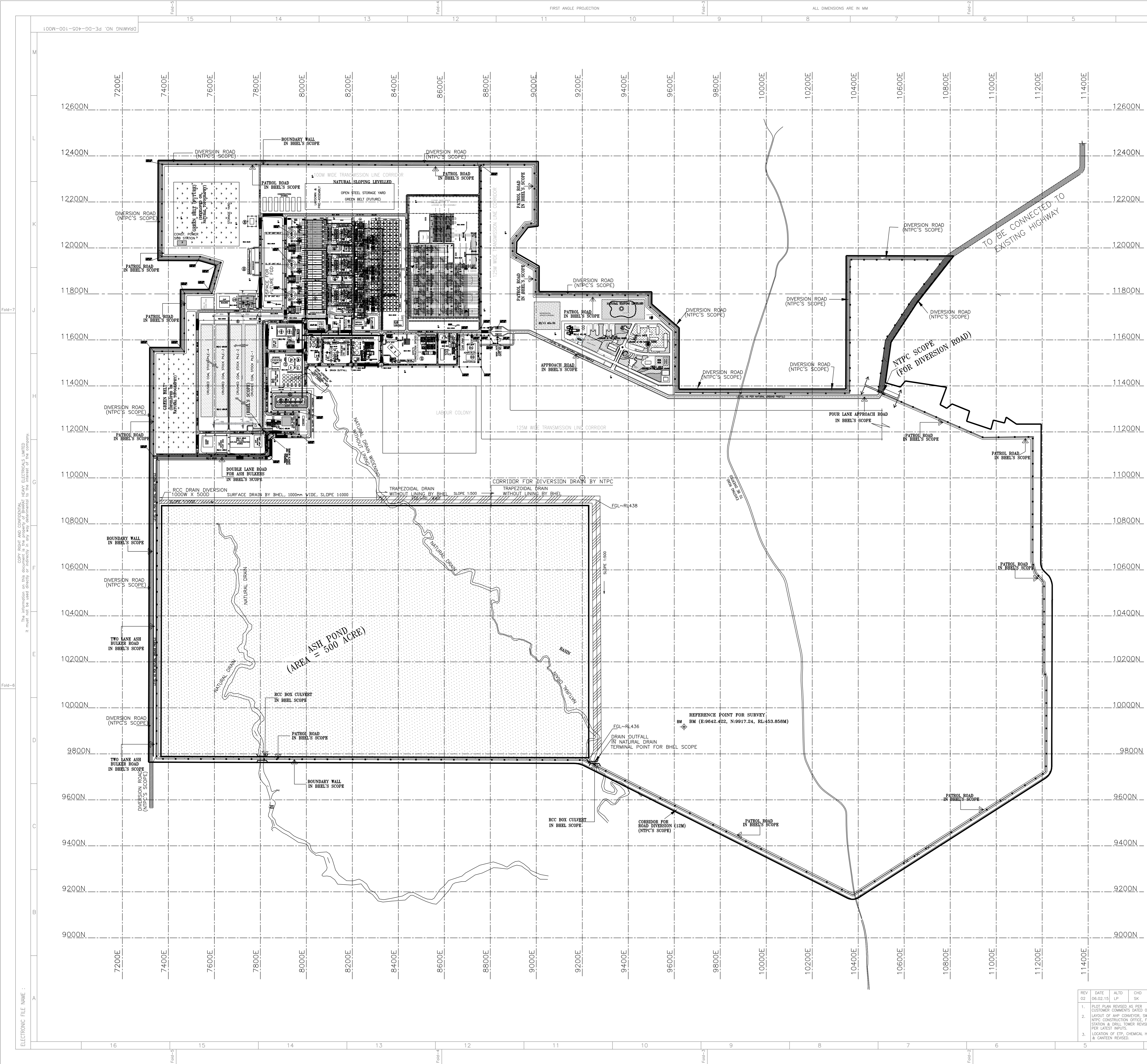
JOB NO. :	405
STATUS :	CONTRACT
DISTRIBUTION :	
No. OF	

REV	DATE	ALTD	CHD	APPD	REV	DATE	ALTD	CHD	APPD
01	28.10.14	APS	SK	JJ	02	06.02.15	LP	SK	JJ

1. PLOT PLAN REVISED AS PER CUSTOMER COMMENTS DATED 02.12.14.
2. LOCATION OF PLANT SHIFTS WITHIN PLANT BOUNDARY AS PER MOM DATED 07.10.14.
3. LOCATION OF ETP, CHEMICAL HOUSE & CANTEEN REVISED.

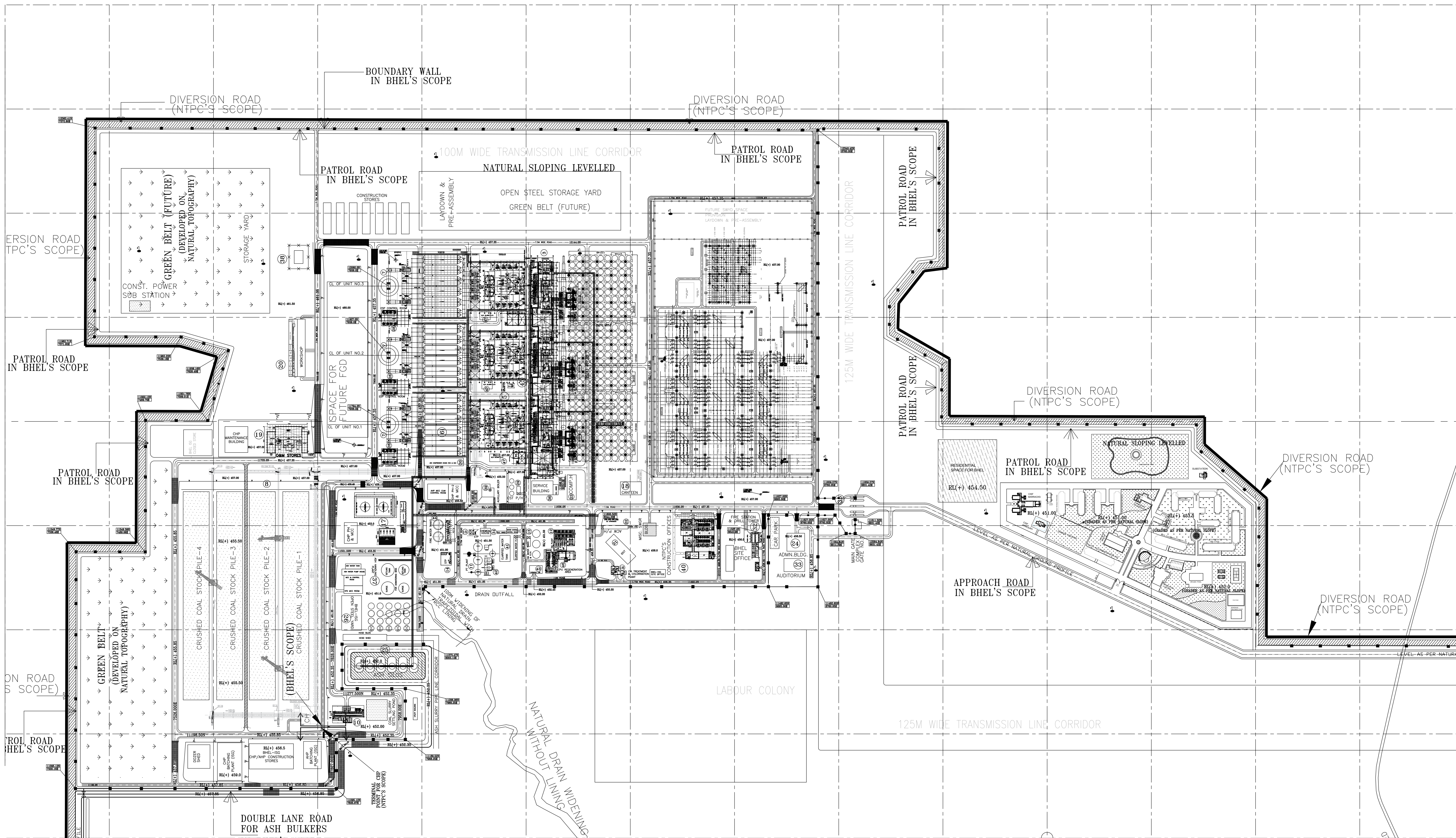
TITLE: **PLOT PLAN**
DEPT. SCALE: 1:5500
DRAWING NO. PE-DG-405-100-M001
SHEET 1 OF 2
REV. 02

DATE: [] [] [] [] [] []
FORMAT SIZE: A0



COPY RIGHT AND CONFIDENTIALITY: THE INFORMATION ON THIS DOCUMENT IS THE PROPERTY OF BHEL. HEAVY ELECTRICALS LIMITED. IT MUST NOT BE USED OR REPRODUCED IN ANY MANNER WITHOUT THE WRITTEN PERMISSION OF THE COMPANY.

ELECTRONIC FILE NAME :



BOUNDARY WALL
IN BHEL'S SCOPE

DIVERSION ROAD
(NTPC'S SCOPE)

DIVERSION ROAD
(NTPC'S SCOPE)

PATROL ROAD
IN BHEL'S SCOPE

100M WIDE TRANSMISSION LINE CORRIDOR
NATURAL SLOPING LEVELLED

PATROL ROAD
IN BHEL'S SCOPE

CONSTRUCTION STORES
LANDOWN &
PRE-ASSEMBLY
OPEN STEEL STORAGE YARD
GREEN BELT (FUTURE)

125M WIDE TRANSMISSION LINE CORRIDOR

PATROL ROAD
IN BHEL'S SCOPE

DIVERSION ROAD
(NTPC'S SCOPE)

PATROL ROAD
IN BHEL'S SCOPE

DIVERSION ROAD
(NTPC'S SCOPE)

PATROL ROAD
IN BHEL'S SCOPE

PATROL ROAD
IN BHEL'S SCOPE

PATROL ROAD
IN BHEL'S SCOPE

DIVERSION ROAD
(NTPC'S SCOPE)

DIVERSION ROAD
(NTPC'S SCOPE)

PATROL ROAD
IN BHEL'S SCOPE

APPROACH ROAD
IN BHEL'S SCOPE

DIVERSION ROAD
(NTPC'S SCOPE)

DOUBLE LANE ROAD
FOR ASH BULKERS

LABOUR COLONY

125M WIDE TRANSMISSION LINE CORRIDOR

NATURAL DRAIN WIDENING
WITHOUT LINING

LEVEL AS PER NATURAL